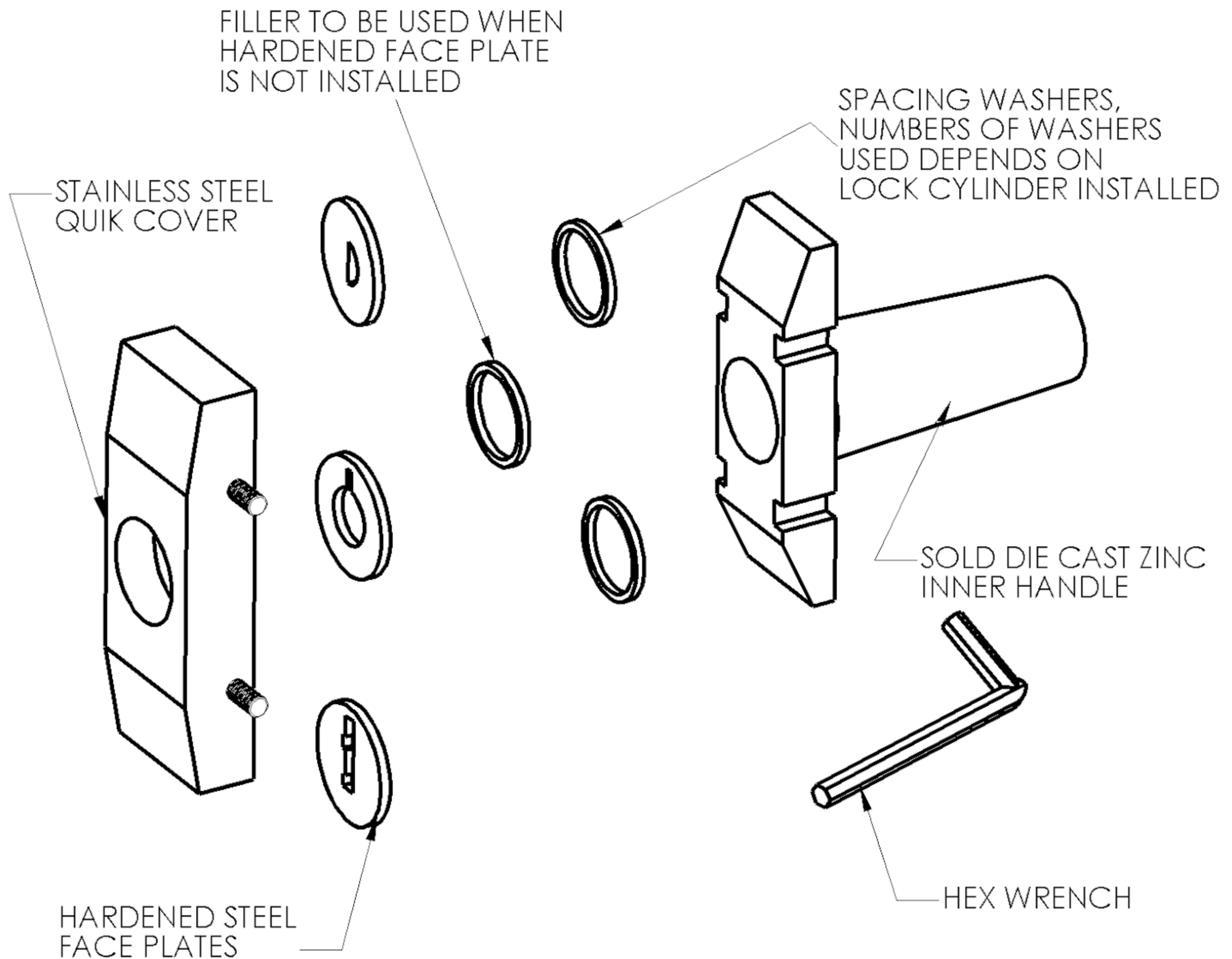


HIGH SECURITY QUIK COVER CONVERSION KITS



- REPLACE VULNERABLE DIE-CAST CAM AND SCREW TYPE HANDLES WITH TUBAR STATE OF THE ART "QUICK COVER CONVERSION KITS"
- 300 SERIES STAINLESS STEEL COVER PROTECTS AGAINST DRILLING AND OTHER VANDAL ATTACKS.
- HARDENED STEEL PROTECTIVE PLATES MAKE YOUR CHOICE OF LOCKING CYLINDERS VIRTUALLY IMPREGNABLE.
- EASY RETROFIT TO ANY "T" HANDLES THAT CONFORM TO NAMA DIMENSIONAL SPECIFICATIONS.