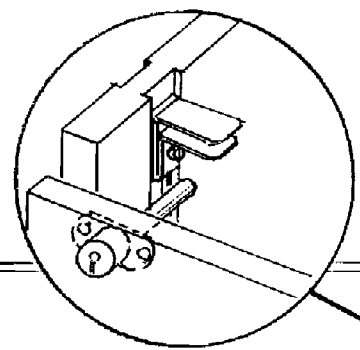
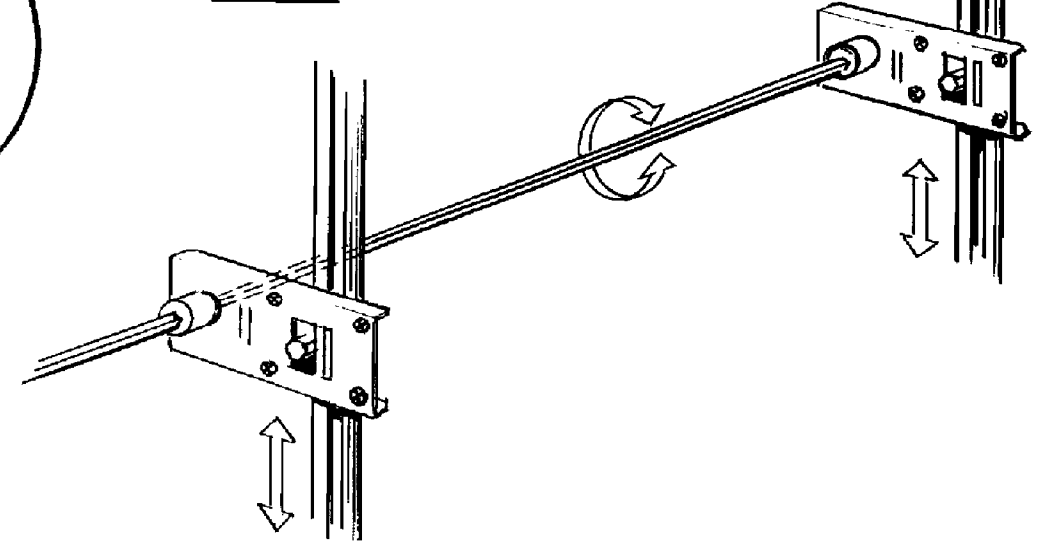
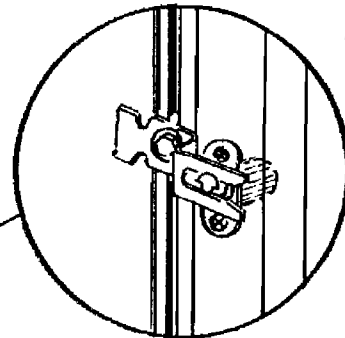
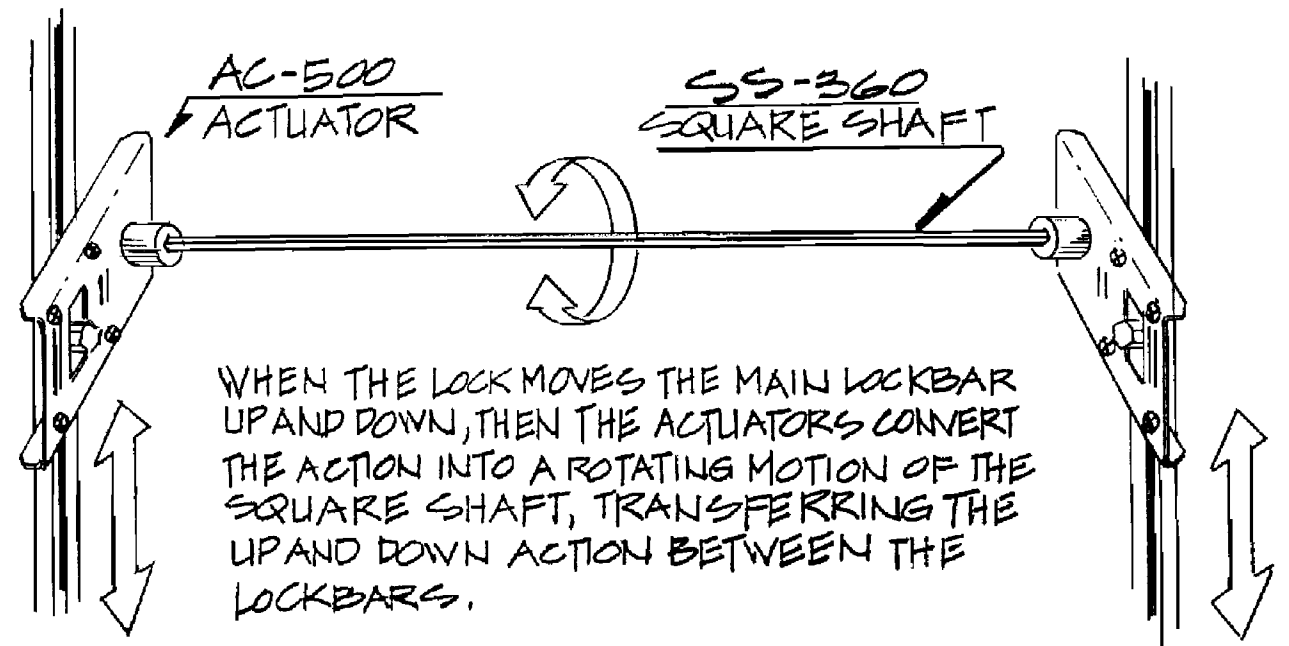
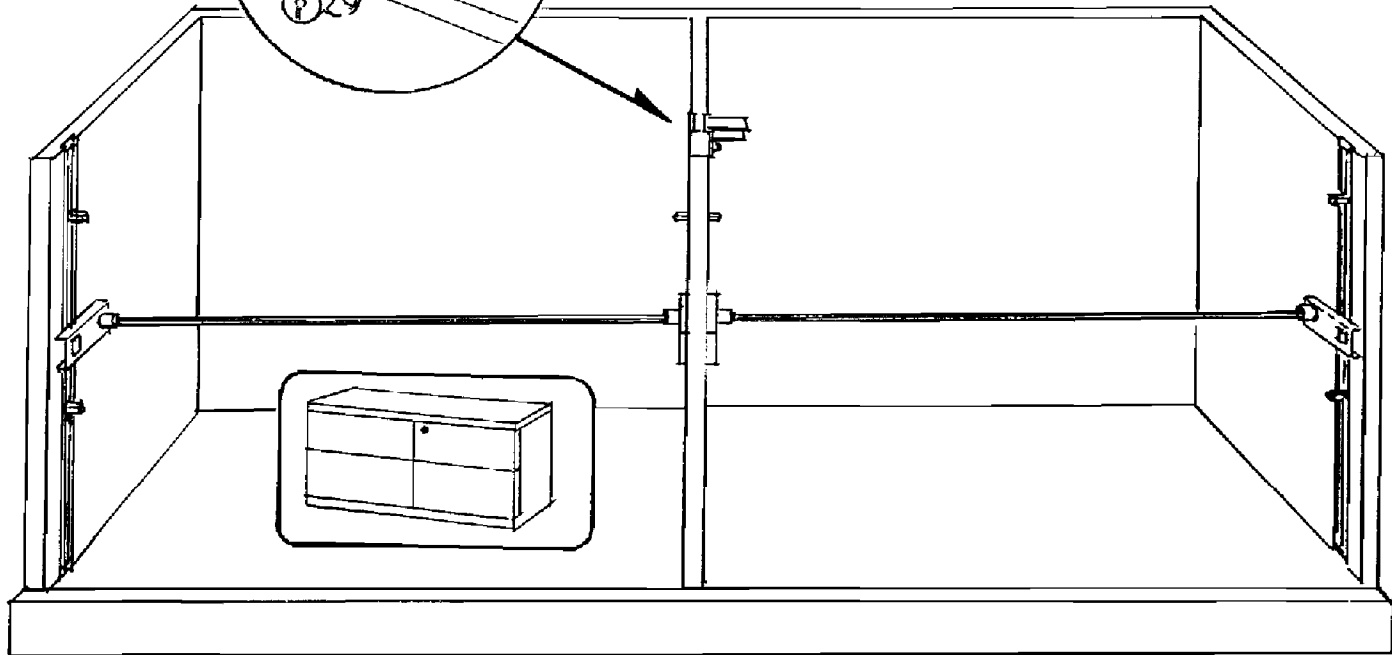


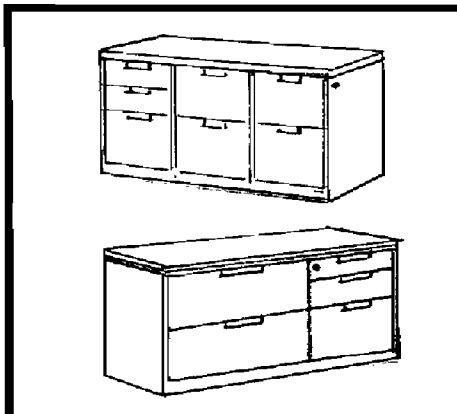
SIDE GANG LOCK.
SEE INSTALLATION
SHEET C-100



DOUBLE LOCKBAR
SEE INSTALLATION
SHEET B-127



WHEN THE LOCK MOVES THE MAIN LOCKBAR
UP AND DOWN, THEN THE ACTUATORS CONVERT
THE ACTION INTO A ROTATING MOTION OF THE
SQUARE SHAFT, TRANSFERRING THE
UP AND DOWN ACTION BETWEEN THE
LOCKBARS.



**CREDENZA CENTRAL LOCK
ACTUATORS LINKED WITH
SQUARE SHAFTING**

Scale 1:1
Lock shown in LOCKED POSITION.
Materials 3/4" unless otherwise shown.
Actual dimensions may vary due to construction details.

1-800-LOCKBAR/www.tlock.us
715 Center St., Grayslake, IL 60030
Copyright 2007 © CompX Security Products

