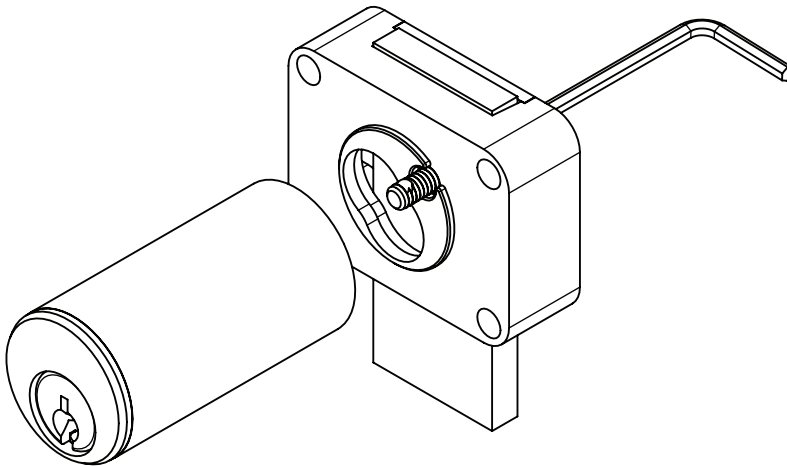
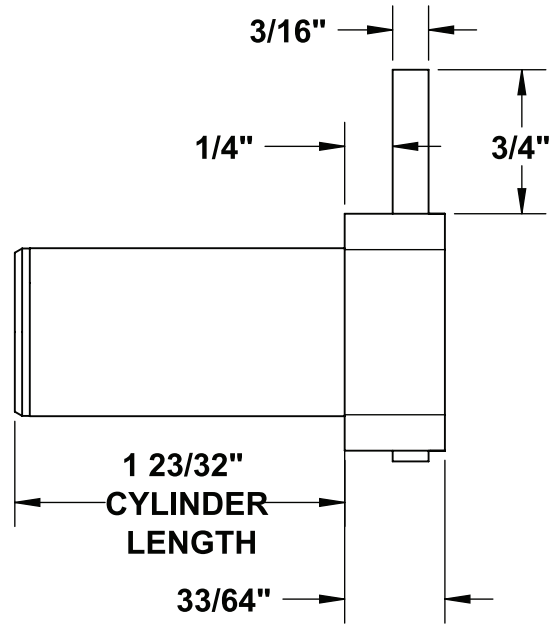
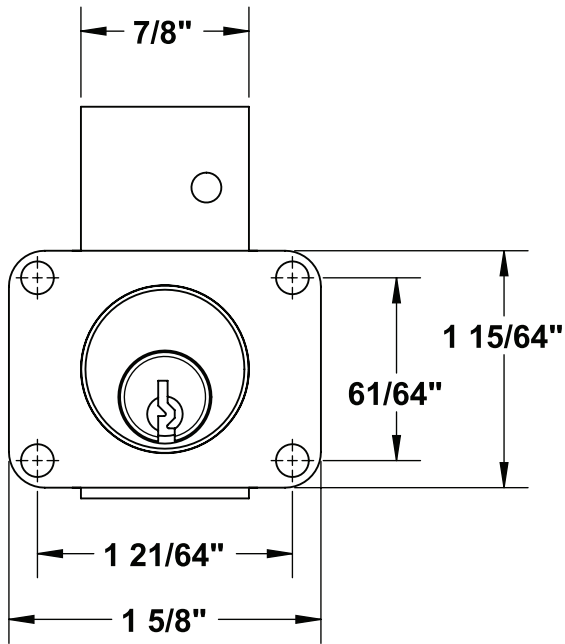


## C8180 Drawer Lock

- 4 PIN TUMBLER
- BRASS CYLINDER



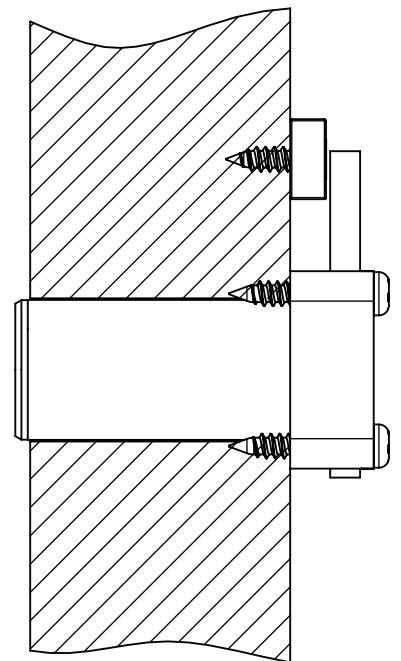
CYLINDER MOUNTING HOLE



DRILL 1/16" DIAMETER PILOT HOLES FOR MOUNTING SCREWS

USE A 5/64" ALLEN WRENCH FROM THE BACK TO REMOVE THE CYLINDER.

NOTE: LOCK MUST BE IN THE POSITION SHOWN.



LOCK IS SHOWN IN LOCKED POSITION FOR STANDARD DRAWER APPLICATIONS.