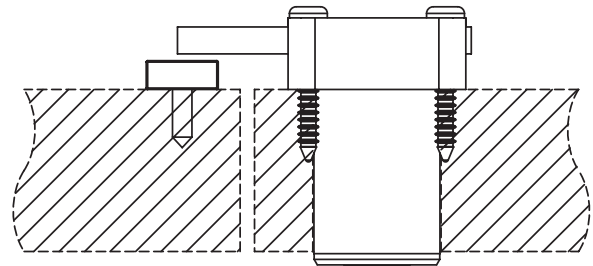
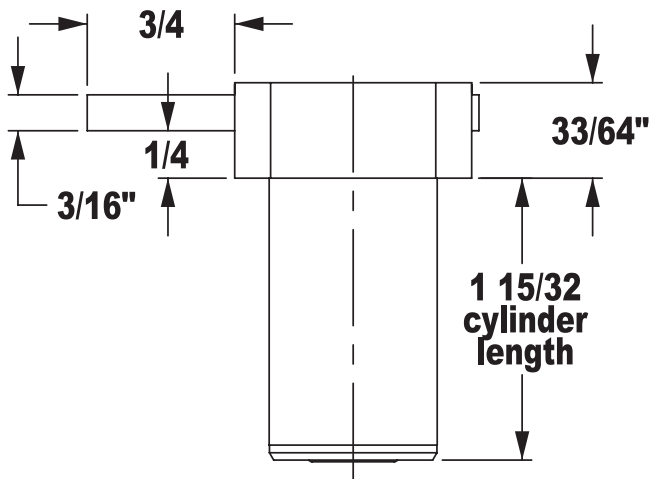


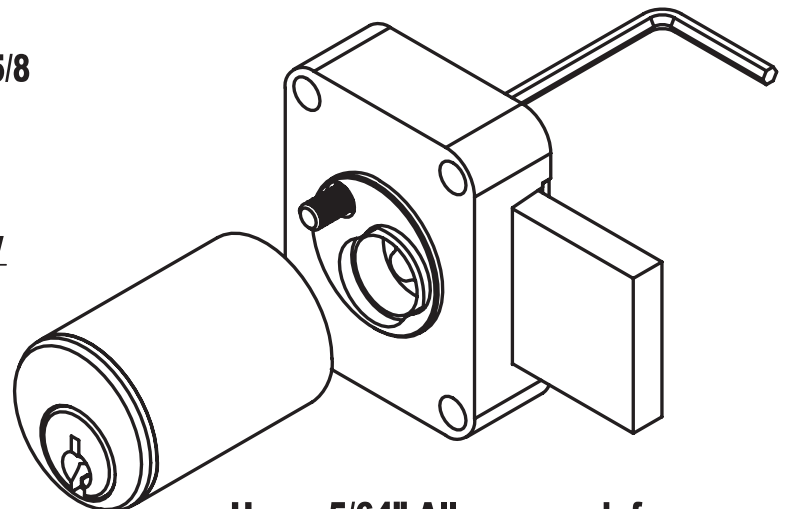
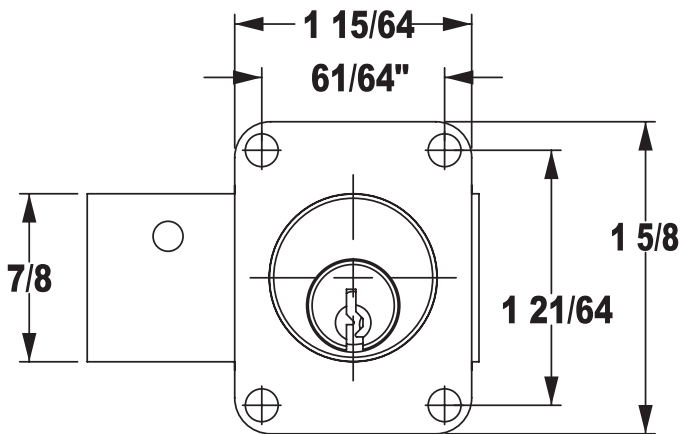
## C8175 DOOR LOCK

- 4 pin tumbler
- brass cylinder
- for RH or LH doors

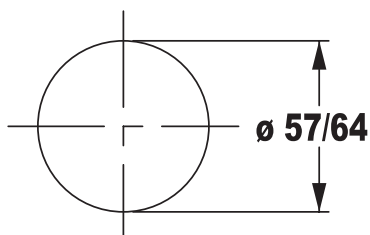


Lock is shown in locked position for right hand door applications.

Lock is reversible for left hand door applications.



**cylinder mounting hole**



**Drill  $1/16$ " diameter pilot holes for mounting screws**

**Use a  $5/64$ " Allen wrench from the back to remove the cylinder.**

**Note: lock must be in the position shown.**