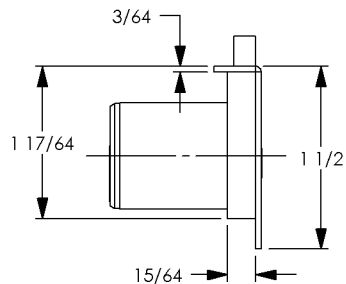
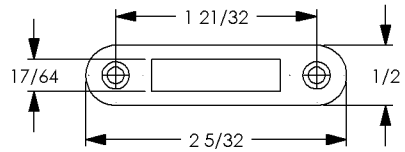
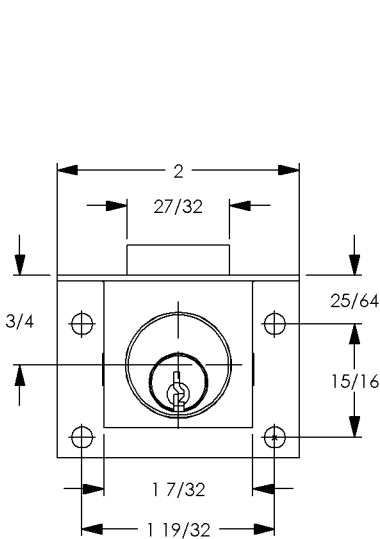
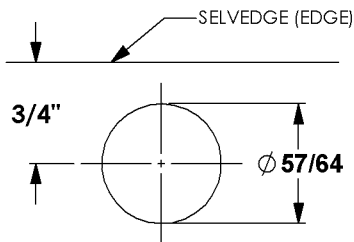


C8135 DRAWER LOCK - 4 PIN TUMBLER - 1 1/8" CYLINDER LENGTH



CYLINDER MOUNTING HOLE



DRILL 1/16 INCH DIAMETER PILOT HOLES FOR MOUNTING SCREWS

