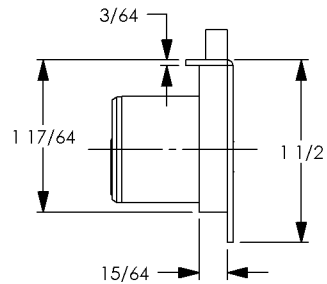
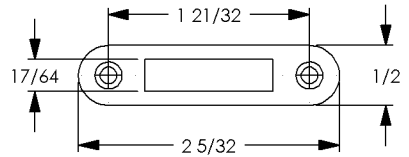
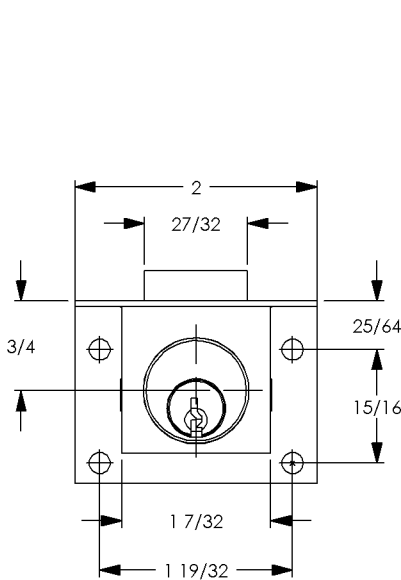
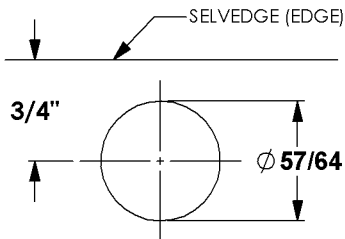


## C8133 DRAWER LOCK - 4 PIN TUMBLER - 7/8" CYLINDER LENGTH



### CYLINDER MOUNTING HOLE



DRILL  $1/16$  INCH DIAMETER PILOT HOLES FOR MOUNTING SCREWS

