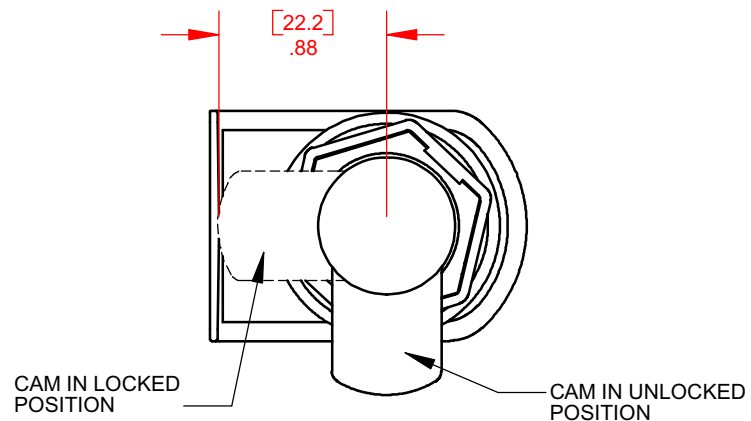
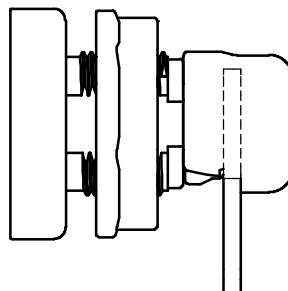
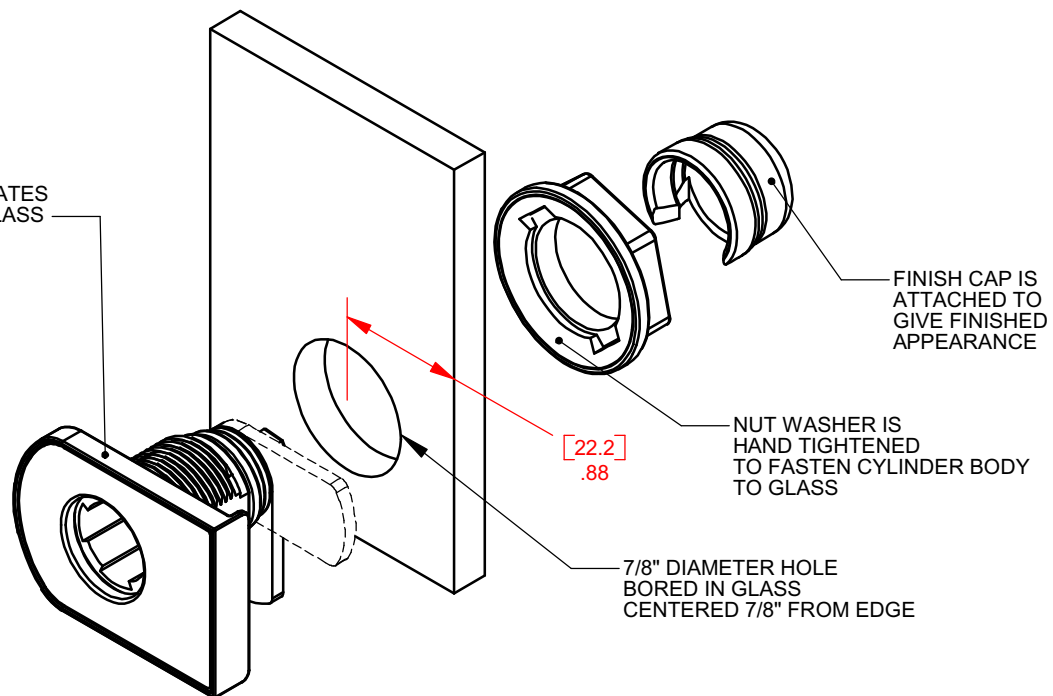


CYLINDER BODY ROTATES THROUGH HOLE IN GLASS



PART NUMBERS:

- CB-301 NICKEL FINISH
- CB-305 BRASS FINISH
- CB-307 SATIN NICKEL FINISH

COMPONENTS ARE BAGGED TOGETHER IN POLYBAG

| | | | |
|------|----------|----------|--------|
| DATE | 03/24/03 | DRAWING# | CB-30X |
|------|----------|----------|--------|

DESCRIPTION
TYPE 300 GLASS DOOR CAM LOCK

CompX
TIMBERLINE www.tlock.us

1-800-LOCKBAR
715 Center St., Grayslake, IL 60030
Copyright 2007 © CompX Security Products