



**C8010-18**  
matte black



**C8010-15**  
brushed  
satin nickel

C8010-14A  
bright nickel  
finish also  
available



# Padlockable cam lock

The new C8010 has a cylinder length of 1-7/16" for material thickness of up to 1-1/8."

The C8010 can accept padlocks with shackle up to 3/8" in diameter (5/16" shackle is recommended). Available in three stock finishes. Box quantity is 10.

For more information, call **864.297.6655** or visit **compX.com**.

STOCK®  
LOCKS

- APPLICATION:**  
For cabinet doors or drawers, lockers, anywhere padlocks are used. For overlay application, the combined thickness of front and frame cannot exceed the cylinder length.
- OPERATION:**  
Choice of either 90° clockwise or counterclockwise using rotation stop.
- PACKAGING:**  
Supplied with FlexaCam spacers, mounting plate for wood installation, one cam, detent washer, one rotation stop and mounting hardware. **Padlock NOT included.**

# Padlockable cam lock

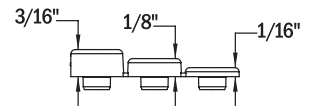
# STOCK LOCKS

## C8010

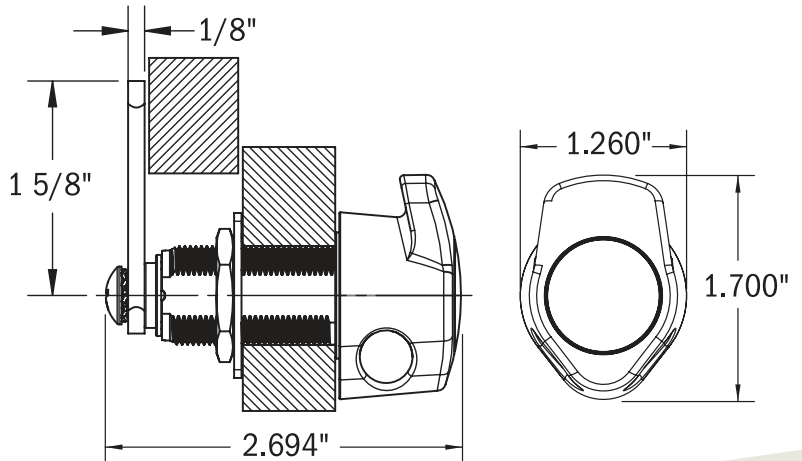
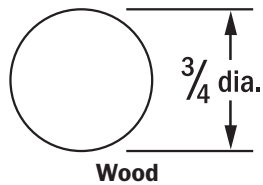
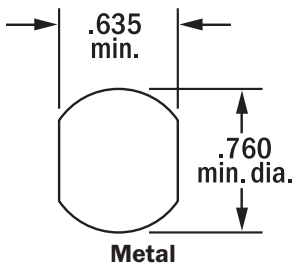
C8010 features **FlexaCam™**

**Ensure a proper fit.**

Three spacers offer three thicknesses – providing up to 12 different dimensional variations.



### Mounting hole dimensions



Scan for more  
info on **C8010**  
[compX.com/c8010](http://compX.com/c8010)

CompX  
NATIONAL

Made  
in the  
USA  
with American  
components

Reorder #: F2644-018

Copyright 2024 © CompX Security Products

Any companies and/or products referred to herein are marks or registered trademarks of their respective companies, owners and/or mark holders.