

# Modify GC-1 Lock to GC-E300-1 Lock

## Change Lock Rotation



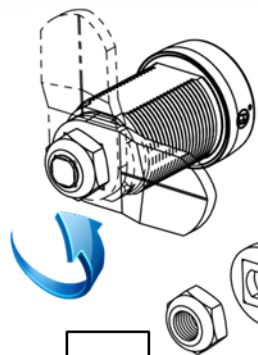
**GAS THEFT & SKIMMING!**

# Modify GC-1 lock to GC-E300-1



## Change Lock Rotation

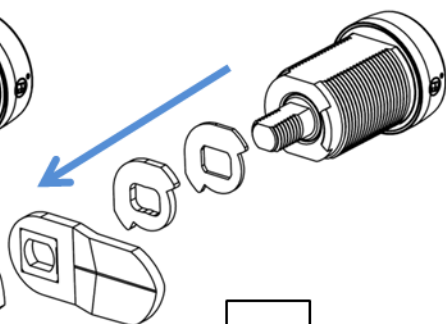
**GC-1 Lock Assembled**



1

Current rotation from front of the lock is clockwise; 9:00 locked to 12:00 unlocked

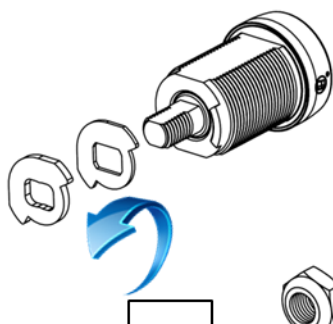
**GC-1 Lock Disassemble**



2

Remove cam nut, cam and stop cams. Press fit stop cams will need to be pulled free from threaded spindle

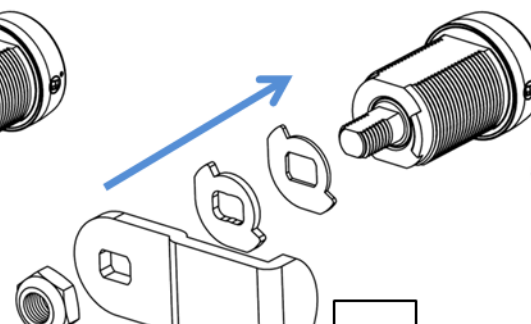
**GC-1 Stop-cams Orientation**



3

Rotate stop cams to new orientation seen in step 4

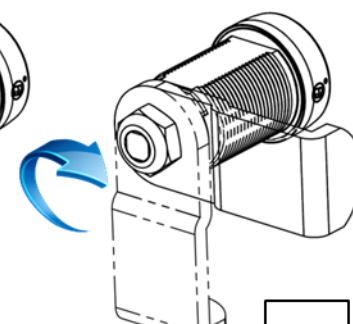
**GC-E300-1 Stop-cams Orientation**



4

Press stop cams down on threaded spindle completely, orient new E300 cam and tighten cam nut

**GC-E300-1 Assembled**



5

New rotation from front of the lock is counter-clockwise; 9:00 locked to 6:00 unlocked



**GAS THEFT & SKIMMING!**