

Gilbarco Encore High Flow Pulser Lower Shield



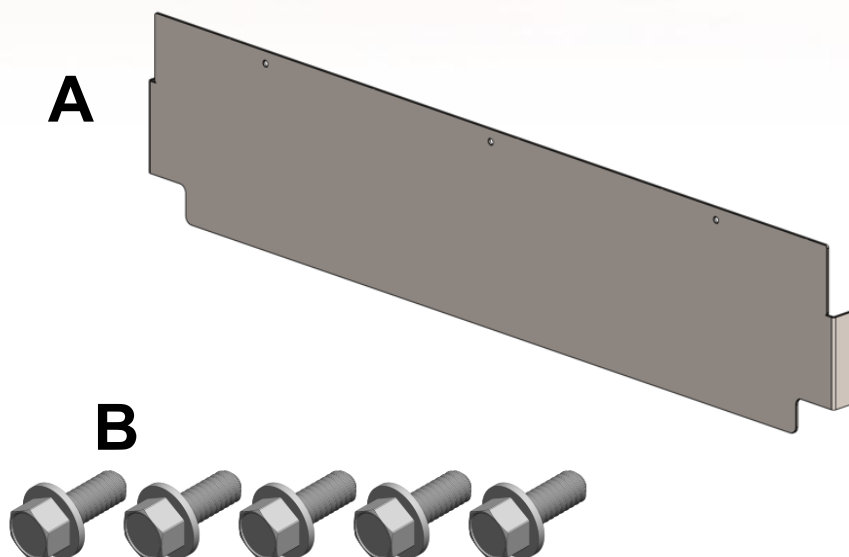
Part# GE-HFD-PS

A. Reinforcement plate (1ea)

B. Bolts (5ea)

Tools Required

- 1) 7/32" Drill Bit
- 2) Cordless Drill
- 3) 3/8" hex driver



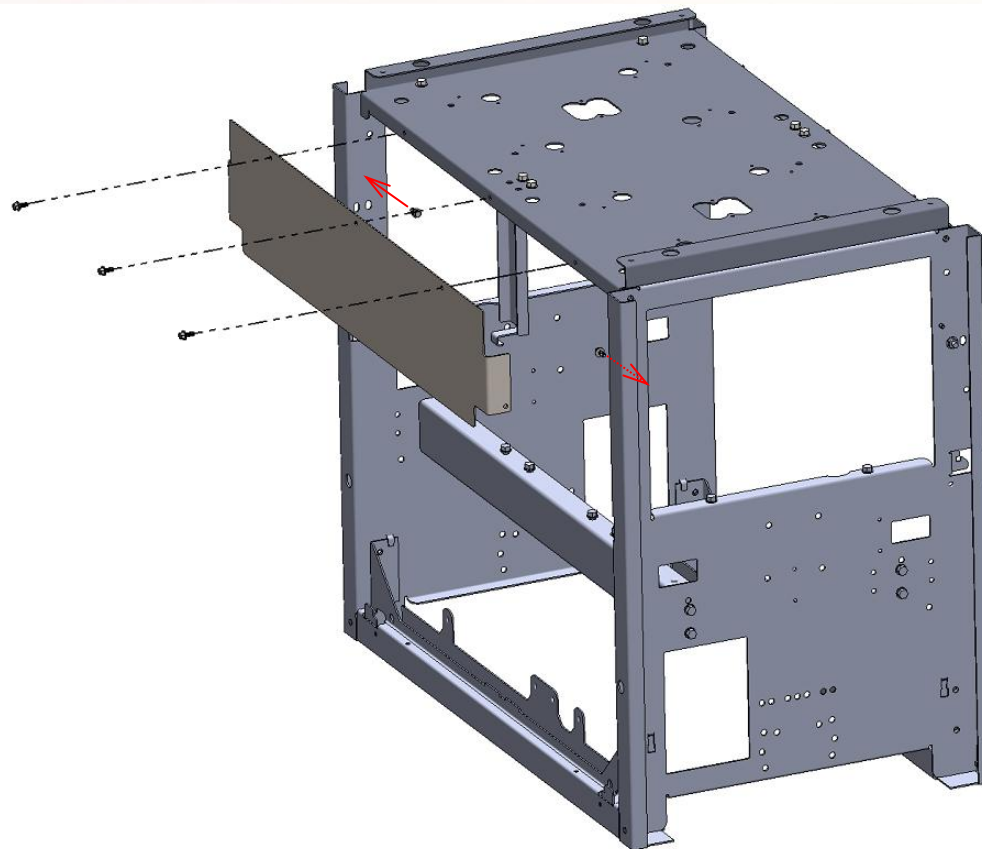
STOP

GAS THEFT & SKIMMING!

Gilbarco Encore High Flow Pulser Lower Shield

Part# GE-HFD-PS

- 1) Remove skirt door and open main door.
- 2) Place shield with tabs facing inside. Mount Shield flush with lower cross member.
- 3) Use shield as a template to mark screw hole locations on upper cross member and vertical columns.
- 4) Drill (5x) 7/32" holes
- 5) Install shield with self tapping 1/4- 20 3/8 hex bolts provided.



GAS THEFT & SKIMMING!