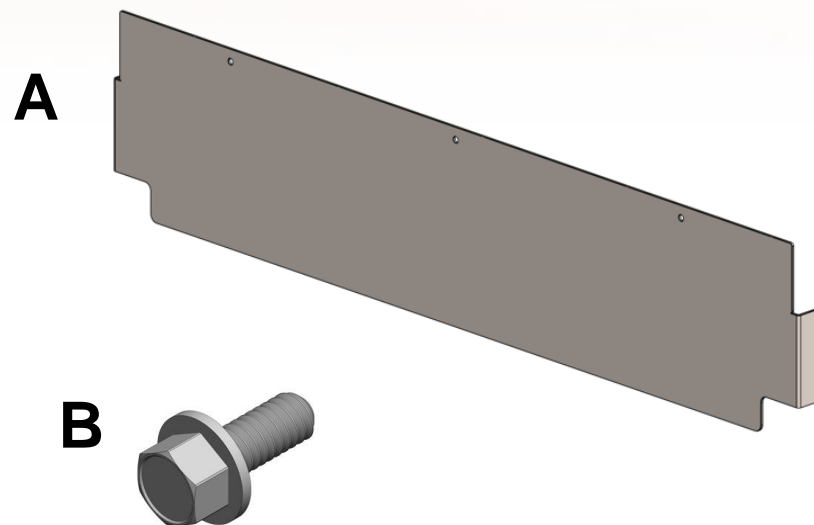


Gilbarco Encore High Flow Pulsar Lower Shield

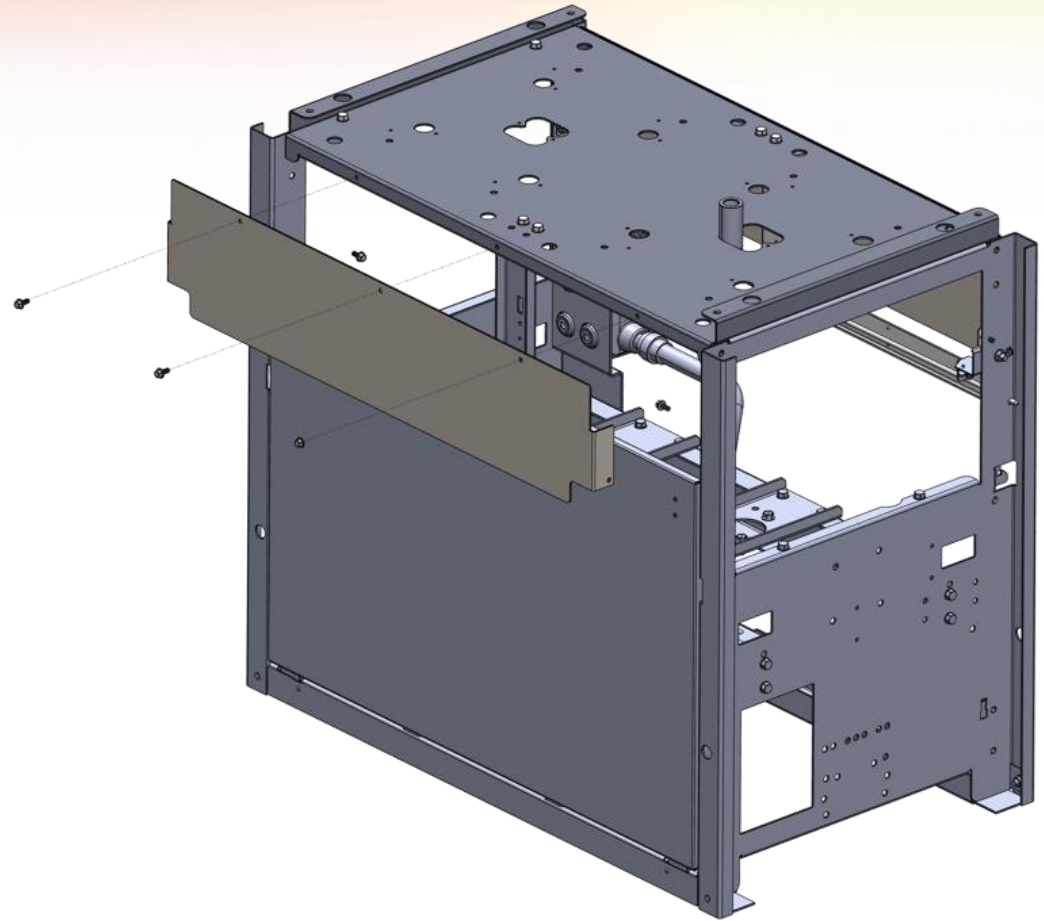
- A. Reinforcement plate (1ea)
- B. Bolts (5ea)



GAS THEFT & SKIMMING!

Gilbarco Encore High Flow Pulsar Lower Shield

- 1) Remove skirt door and open main door.
- 2) Place shield with tabs facing inside. Make flush with lower cross member.
- 3) Use shield as template to mark screw hole locations
- 4) Drill 7/32" holes
- 5) Install shield with self tapping 1/4-20 3/8 hex bolts provided.



STOP GAS THEFT & SKIMMING!