

# TuBAR<sup>®</sup>/Turbine



# Reinforcement

# Retrofit for Gilbarco

# Encore 700

# Main Door

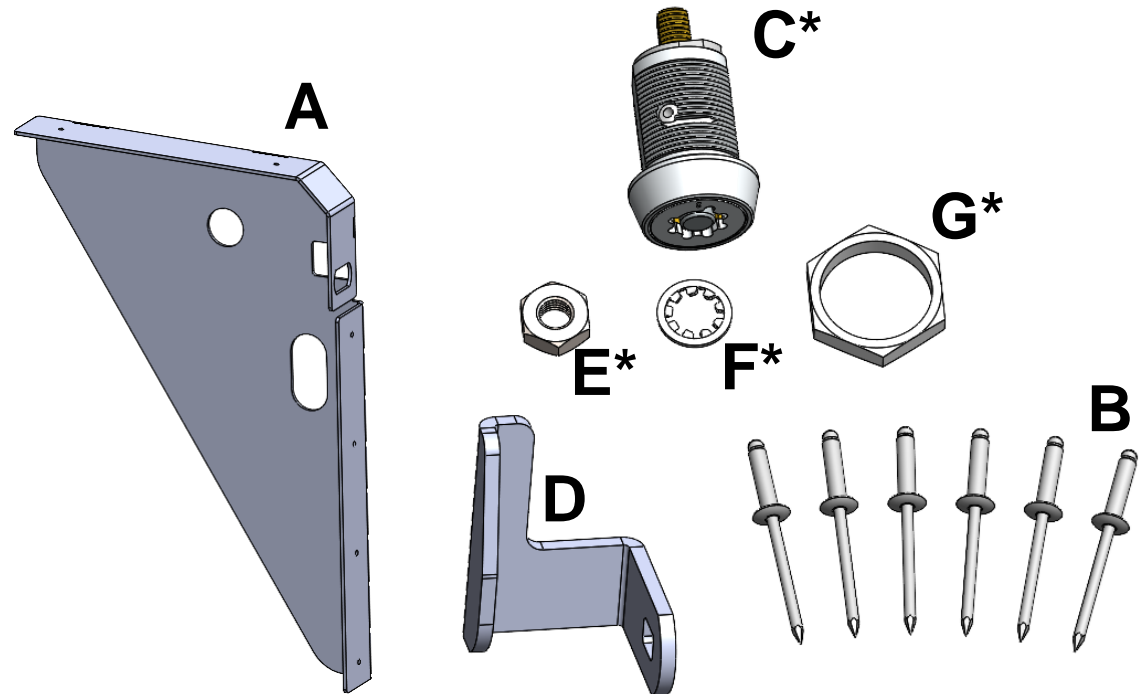


**GAS THEFT & SKIMMING!**

# Main Door Retrofit: Encore 700 Part# GE-HSC-MDRP



- A. Reinforcement Plate (1ea)
  - B. Rivets (6ea)
  - C. Lock Assy\* (Turbine shown)
  - D. ARC Cam (1ea)
  - E. 9/32"-28 Hex Nut\*
  - F. 9/32" Lock Washer\*
  - G. Hex Nut 3/4-27\*
- \* Not included in kit

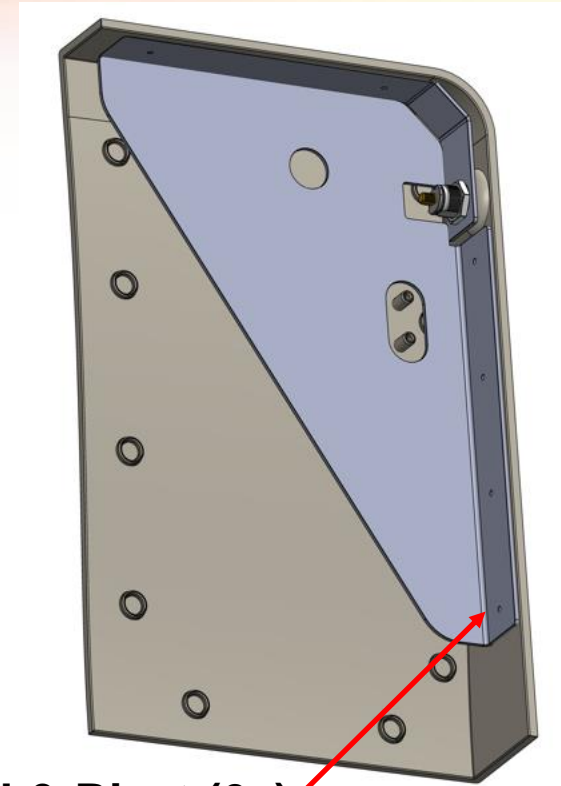


**STOP** GAS THEFT & SKIMMING!

# Main Door Retrofit: Encore 700 Part# GE-HSC-MDRP



- 1) Open main door.
- 2) Remove main door lock.
- 3) Mount CompX Lock Assy (C) and Reinforcement Plate (A) with Hex Nut  $\frac{3}{4}$ -27 (G).
- 4) Drill holes for rivets (B) with 1/8" bit.
- 5) Rivet Reinforcement plate to door.



Drill & Rivet (6x)



**GAS THEFT & SKIMMING!**

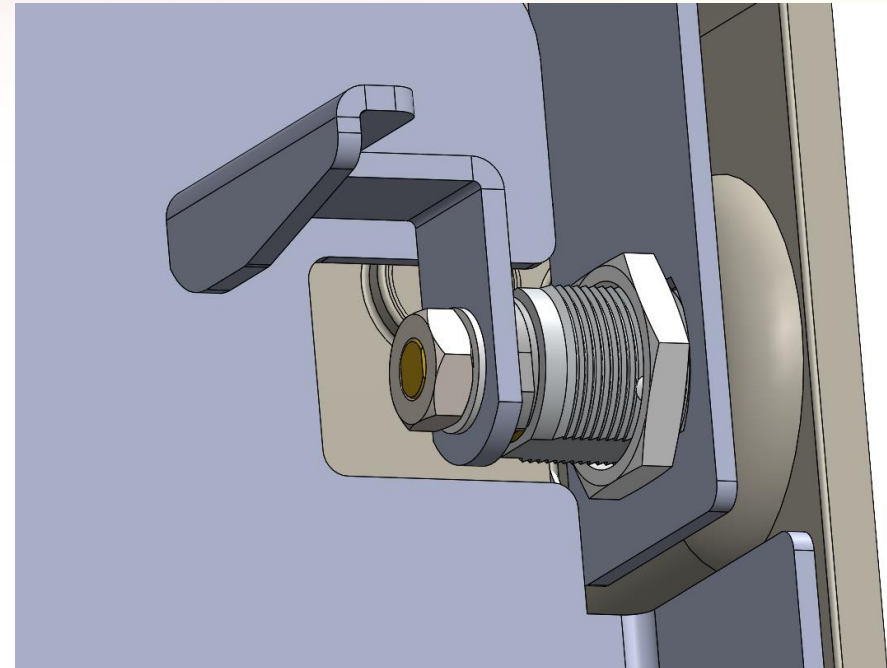
# Main Door

## Retrofit: Encore 700

### Part# GE-HSC-MDRP



- 6) With lock in unlock position, mount cam (D) with lock washer (F) and nut (E).



**GAS THEFT & SKIMMING!**