

Gilbarco Advantage



- GC-1 CRIND Lock
or use
- GC-ARCC-1
CRIND Lock

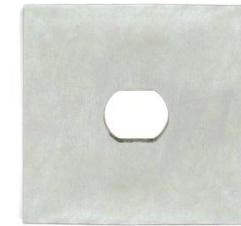


STOP GAS THEFT & SKIMMING!

Gilbarco Advantage



- SKD-CW-1 Skirt
 - SKD-CCW-1 Skirt
- or use
- SKD-CW-ARSC-1 Skirt
 - SKD-CCW-ARSC-1 Skirt

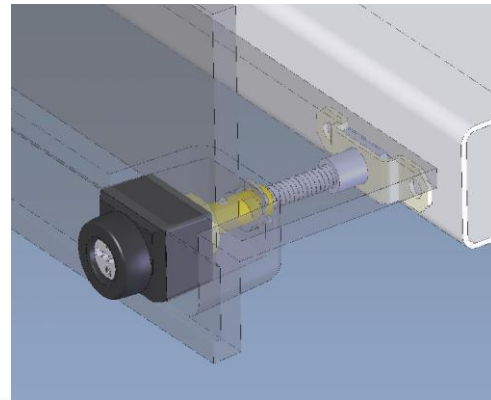


Gilbarco Advantage

New Innovation!



- Bottom half of CRIND is currently protected by a long hex screw in a slot
- TuBAR spindle lock with special double D block fits in this slot
- Protects lower CRIND interior
- LCD-1 CRIND Lower Door

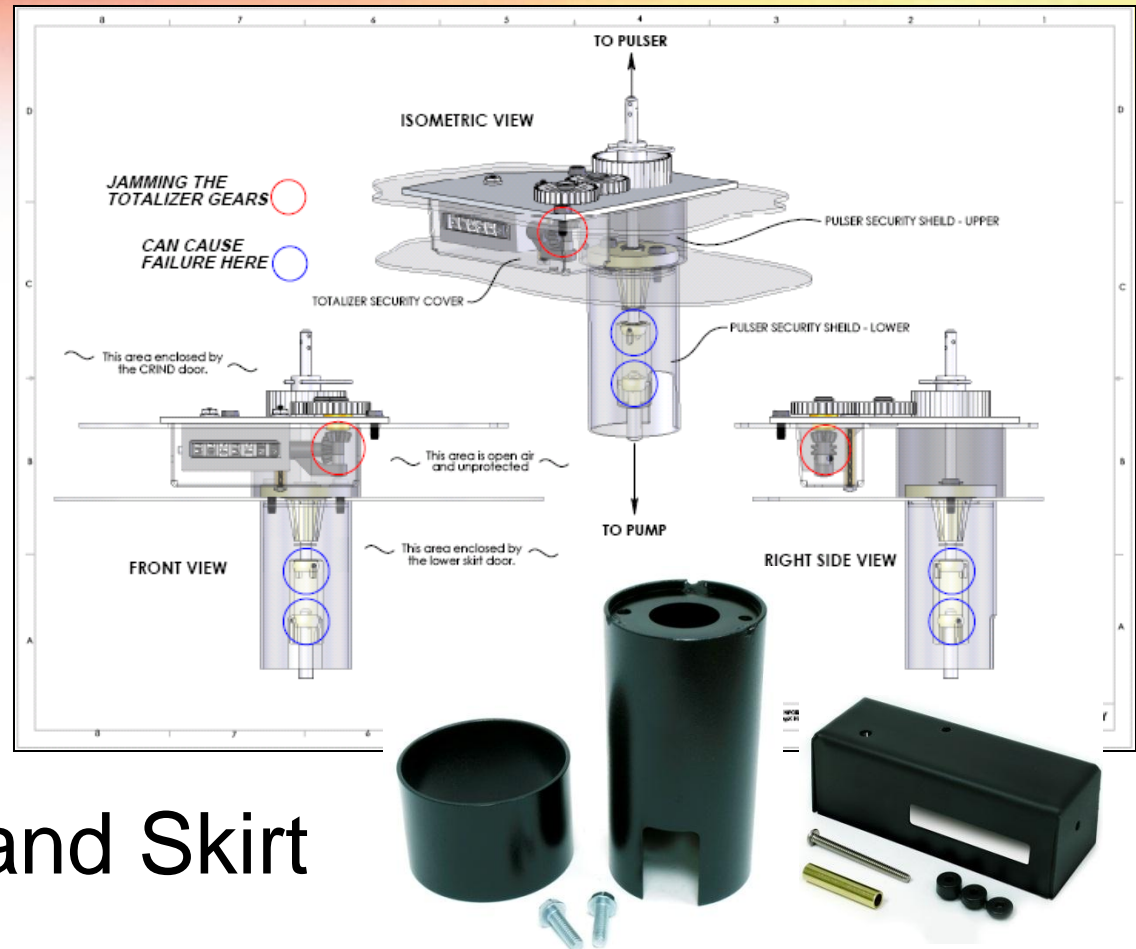


TuBAR[®]

STOP GAS THEFT & SKIMMING!

Gilbarco Advantage

Totalizer and Pulser



Protect in Vent and Skirt locations

STOP GAS THEFT & SKIMMING!