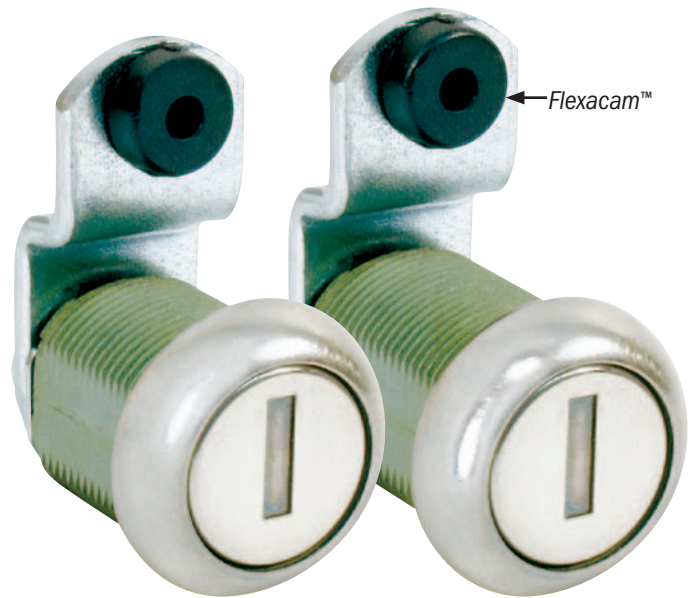


AVAILABLE NOW!

DUST SHUTTER CAM LOCK from **CompX Fort**

STOCK LOCKS

For use in outdoor applications where protection from rain, salt, and freezing temperatures is needed.



MFWDS23058

MFWDS23078

- ◆ Part numbers: **MFWDS23058, MFWDS23078**
- ◆ 5-disc tumbler cam locks
- ◆ 2 sizes: 5/8" (MFWDS23058) & 7/8" (MFWDS23078)
- ◆ 200 KD codes and (3) KA codes - 217, 221, 224
- ◆ **CORROSION RESISTANT** - stainless steel cap with X33 finish (RoHS compliant); designed to withstand 200 hours of salt spray test
- ◆ Dust shutter passed 20,000 cycle test

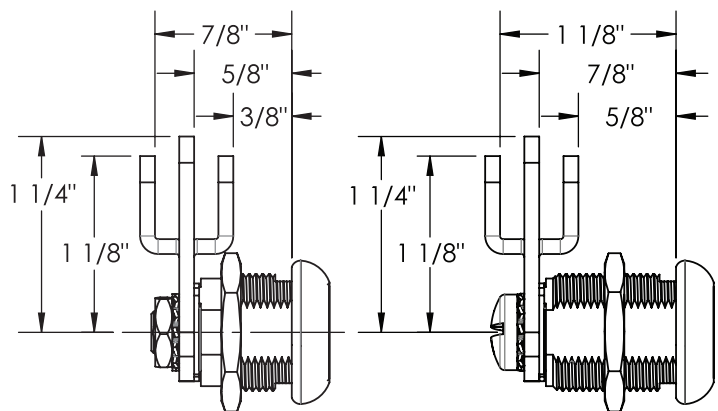
These locks feature **FlexaCam™**

Ensure a proper fit. Three spacers (included with most CompX National and CompX Fort threaded disc tumbler cam locks) offer three thicknesses - providing up to 12 different dimensional variations.



◆ **PACKAGING:**

Straight cam, offset cam, cam nut (5/8" only), lock washer, 1/4-20 x 1/4" sems screw (7/8" only), 90° and 180° cam stops, cylinder nut, wonder washer, gasket, Flexacam, two spline fillers, and two rung keys.



MFWDS23058

MFWDS23078

CompX
FORT



For more information, call **864.297.6655**

Copyright 2012 © CompX Security Products / 864.297.6655 / compx.com / PO Box 200, Mauldin, SC 29662
Any companies and/or products referred to herein are marks or registered trademarks of their respective companies, owners and/or mark holders.