



Narcotics Security and Inventory Control

*CompX offers a wide variety of options for securing narcotics,
from standalone / retrofit solutions to complete inventory tracking*



CompX
SECURITY PRODUCTS

compXems.com
Innovators in narcotics security.

American Made Locking Solutions

CompX offers a full product line to meet all of your lock requirements

Grayslake, IL facility

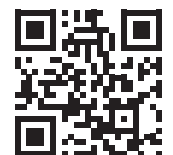
Why choose EMS LOCKS from CompX?

- ✓ We have manufactured locks in the USA since 1903 and electronic locks since 1998
- ✓ We offer multiple levels of DEA compliant solutions for all your narcotics needs, including retrofitting existing cabinets or refrigerators
- ✓ We have a nationwide outside sales force to support your product needs through on-site demonstration, consultation and training
- ✓ We offer reliable, cost-effective, easy to use software with no ongoing fees or subscriptions after initial purchase



**View products:
compxems.com**

Copyright 2026 © CompX Security Products



One CompX eLock . . . Three levels of solutions

1 NARC iD – Narcotics Security and Inventory Control



Patented system

NARC iD

The NARC iD Inventory Control System uses RFID tags to provide auto-enrolling, notifications and consumption reporting.



Central Storage Unit for station houses

NARC iD Central Storage Unit

Secure in-station storage for the NARC iD Inventory Control System before assignment of narcotics / totes to vehicles.

Uses Lockview 5 iD Pro software

2 Narcotics Access Control



NARC Box

Full turnkey solution which offers audit trail showing who entered the box. Offered with networking and card and fob credential access. It can be AC or DC powered.

NARC Stack

Multi-opening solution with one lock controlling it all. Available in 2, 4, 6 and 8 box solutions. Offered in networked versions with card and fob credential access. It can be AC or DC powered.



Uses Lockview 5 Pro software

3 Retrofit CompX eLock on existing cabinets / refrigerators

Cabinet eLock

Can be easily retrofitted onto steel, wood or any other composite cabinet door or drawer. Preferred choice for existing built-in cabinets which require audit trails, advanced credential readers, and a door switch to report unauthorized entry or doors left ajar.



Refrigerator eLock

An easily retrofittable solution for small or large refrigerators or freezers. Offers advanced credential options for access control and optional temperature monitoring to go along with audit trail of who accessed and when. Can lock down fridge when out of allowable temperature range.



Uses Lockview 5 Pro software



Patented System

PROVIDES DEA COMPLIANCE. ELIMINATES MANUAL LOGGING.

NARC iD is a patented Narcotics Security and Inventory Control System that exceeds DEA requirements and prevents loss, human error and diversion.

"Cradle to grave" custody info



Provides "cradle to grave" custody info on narcotics, users and consumption by NARC iD boxes in vehicles and the station

Pre-programmed RFID Tags



Pre-programmed RFID Tags provide Auto Enrollment, Inventory Tracking and Reporting of expiration dates and usage

Transparent tamper-evident capsules



Transparent tamper-evident capsules hold narcotics and use color coded caps for easy identification

LockView software



LockView software provides a complete Audit Trail that records credential, date and time of entry, and narcotic consumed

Tracks narcotics conditions



Allows input of conditions at the NARC iD Box when capsules are removed: Incident #, Broken, Expired, Transfer or Lost, along with Wasting and Witness details

Factory Installed CompX eLock



Factory Installed CompX eLock with WiFi enabled

Works offline



Works offline and syncs when back in range

Pin code or existing credentials



Uses Pin code or existing credentials — employee badge, HID Proximity or iClass cards (or a combination of both)

Powered by your vehicle



NARC iD Boxes can be powered with 110 VAC and 12 VDC vehicle power sources

and Automated Inventory Control



NARC iD
Inventory Control System

NARC iD Central Storage Unit for station houses

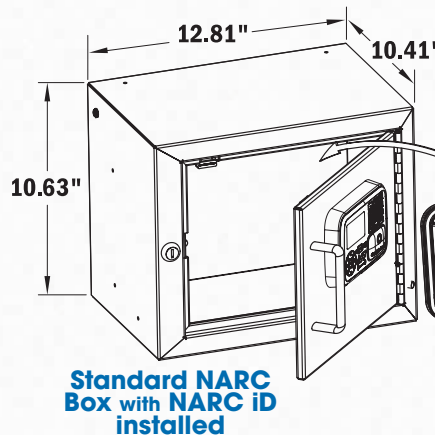
Same NARC iD features in a larger enclosure

NARC iD Central Storage Unit

Secure in-station storage for the NARC iD Inventory Control System before assignment of narcotics and totes to vehicles

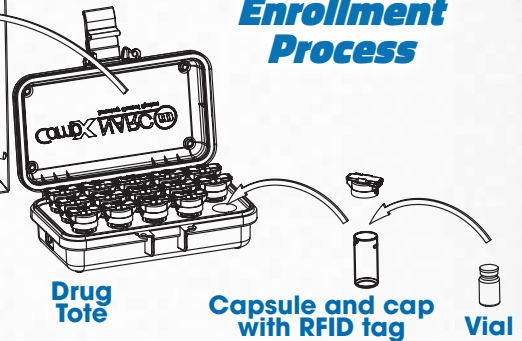
- ◆ Large in-building box (approximately 34" high x 33" wide x 16" deep)
- ◆ Auto-enrolling of up to 405 controlled substances
- ◆ Provides DEA compliance
- ◆ Automatic enrolling, inventory control and reporting of expiration dates and usage

CompX NARC iD Systems are covered by U.S. Patents 11176765-B2, 11373078-B2, 11301741-B2, 11157789-B2, and other Patents



Standard NARC Box with NARC iD installed

NARC iD Enrollment Process



Narcotics

NARC iD tags and caps are color-coded for ease of identification



Pantone 311C fentaNYL	Pantone 158C Midazolam	Pantone 2593C Morphine	Pantone 361C HYDRomorphone	Pantone Yellow C Ketamine	Pantone 4525C Meperidine	Pantone 423C diazepam	Pantone 203C LORazepam
white All Generic	Pantone 2346C Rocuronium Vecuronium	Pantone 157C Etomidate	Pantone Cool Gray 1C Ketorolac	Pantone 7486C Diphenhydramine	Pantone 318C Ondansetron	Pantone Black 6C Haloperidol	(CLEAR) All TRAINING All TESTING

Narcotics access control

Same great eLock features in a different form



Mini dimensions:
6.75" high
9.00" wide
5.25" deep

NARC Box

Access control device with audit trail and alert notifications for EMS vehicles

- ◆ Factory installed CompX eLock – choose from WiFi, Ethernet and non-networked units
- ◆ Built-in 12V-9V converter allows for dedicated power on-board EMS vehicles with battery back-up
- ◆ Auto-relocking door with mechanical key override
- ◆ Two sizes available: standard and mini
- ◆ Works offline and syncs when back in range
- ◆ Featuring **CompX eLock**.

Standard dimensions:
10.63" high
12.81" wide
10.41" deep

NARC Box

Easily installed turnkey solution for installations in ambulances or buildings

NARC Stack

Stack up to eight standard sized NARC Boxes

- ◆ One Hub system allows users to individually address up to eight openings with one eLock – choose from WiFi, Ethernet and non-network
- ◆ Pre-wired with Hub system and ready to install
- ◆ Maximum of eight NARC boxes per NARC Stack
- ◆ Used for storing larger quantities of substances; NARC Stack audit trail shows who opened which doors and when
- ◆ Featuring **CompX eLock**.



NARC Stack

*Easy to use design for in-building use.
Available in 2,4,6, and 8 box stacks.*

with full audit trail



NARC Drop-box

Secure used or expired narcotics

- ◆ Factory installed CompX eLock – choose from WiFi, Ethernet and non-networked units
- ◆ NARC Box (non NARC iD) with an integrated, secure drop door
- ◆ Drop box items fall into a locked NARC Box
- ◆ Door has metal baffle to prevent reaching inside
- ◆ CompX eLock secures the discarded items
- ◆ Credentials are required to retrieve items
- ◆ Dimensions: 21.25" high, 12.8" wide, 9" deep
- ◆ Featuring *CompX eLock*.

XL NARC Box

Large NARC Box for storing large items or large quantities of items

- ◆ Factory installed CompX eLock – choose from WiFi, Ethernet and non-networked units
- ◆ Employs door switches to track door opening and enables NARC XL Box to send notifications of door left ajar or unauthorized entry on Networked versions of Boxes
- ◆ Dimensions: 34.2" high, 34.1" wide, 14.7" deep
- ◆ Provides DEA Compliance
- ◆ Featuring *CompX eLock*.



Retrofit eLock *on existing cabinets and refrigerators*

Retrofit eLock for cabinets

Same eLock unit on NARC Boxes - easily installed on metal or wood cabinets

- ◆ Provides an audit trail of access attempts
- ◆ Motor-driven latching mechanism provides the convenience of automatic relocking
- ◆ Uses existing credentials: Prox cards and Smart cards, as well as Keypad access
- ◆ Works offline and syncs when back in range



Controller dimensions:
3.5" high
5" wide
.85" deep



All eLock versions offer:

- ◆ Easy retrofitting for existing enclosures
- ◆ Provide Full Audit trail of users and eLocks via Lockview 5 Pro
- ◆ Operate via WI-Fi, Ethernet or as non-networked
- ◆ Remote Door ajar and unauthorized entry alarming, if networked
- ◆ eReports automatically sent to multiple email addresses, if networked

Retrofit eLock for refrigerators / freezers

Secure new or existing refrigerators and freezers on vehicles or within station houses

- ◆ Mounts on exterior of refrigerators / freezers or climate control units
- ◆ Provides an audit trail of access attempts
- ◆ Motor-driven latching mechanism provides the convenience of automatic relocking
- ◆ Uses existing credentials: Prox cards and Smart cards, as well as Keypad access
- ◆ Optional temperature monitoring – from 100°C to -100°C – escalating notification system sends immediate temperature “out of range” alerts
- ◆ Works offline and syncs when back in range



Dimensions:
8.54" high
5.94" wide
2.625" deep

LockView software

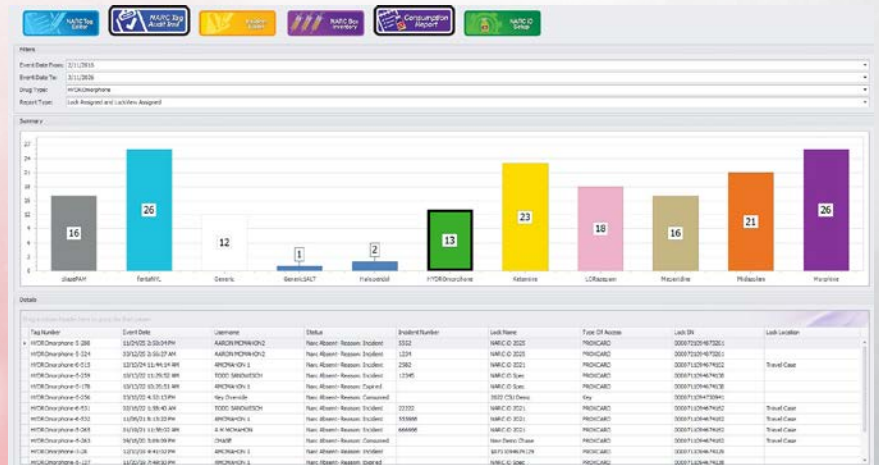
All LockView versions offer:

- ◆ One time purchase with no ongoing subscription fees
- ◆ Provide Full Audit trail of users and eLocks via Lockview
- ◆ Operate via WI-Fi, Ethernet or as non-networked
- ◆ Remote Door ajar and unauthorized entry alarming, if networked
- ◆ eReports automatically sent to multiple email addresses, if networked

LockView 5iD Pro

- ◆ NARC iD enclosures require LV5 iD Pro
- ◆ All eLock levels can function under LV5 iD Pro
- ◆ Offers audit trail by substance, person, vehicle, time frame, etc.
- ◆ Immediate notification of lost or broken drug capsules
- ◆ eReports can be automatically sent to multiple email addresses
- ◆ Required for all NARC iD products; allows full automated tracking of usage and eReporting of entry, consumption and inventory inside each NARC iD enclosure
- ◆ Wastage and Consumption is tracked at the NARC Box and recorded by LockView 5iD Pro

Consumption Report



MEETS DEA RECORD KEEPING REQUIREMENTS

NARC Tag Audit Trail

Tag Number	Event Date	Username	Status	Incident Number	Lock Name	Inset Date	Type Of Access	Lock SN
Midazolam-3-16	7/21/2019	John Garlach	Added to Lock Inventory		test narc	7/21/2019	PROXCARD	0000720094674139
Midazolam-3-16	8/1/2019	Mike Jensen	Added to Lock Inventory		test narc	8/1/2019	PROXCARD	0000720094674139
Midazolam-3-16	8/1/2019	Mike Jensen	Removed from Lock		test narc	8/1/2019	PROXCARD	0000720094674139
Midazolam-3-16	8/1/2019	Mike Jensen	Reintroduced to Lock		test narc	8/1/2019	PROXCARD	0000720094674139
Midazolam-3-16	8/1/2019	Matt Brown	Added to Lock Inventory		test narc	8/1/2019	PROXCARD	0000720094674139
Midazolam-3-16	8/1/2019	Key Override	Removed from Lock		test narc	8/1/2019	Key	0000720094674139
Midazolam-3-16	8/1/2019	Mike Jensen	Narc Absent-Reason: Incident	5616	test narc	8/1/2019	PROXCARD	0000720094674139
Midazolam-3-16	8/1/2019	Matt Brown	Shift Change: Narc was consumed in incident when inventory was reset		test narc	8/1/2019	PROXCARD	0000720094674139
Midazolam-3-16	8/1/2019	Key Override	Added to Lock Inventory		test narc	8/1/2019	Key	0000720094674139
Midazolam-3-16	8/1/2019	Key Override	Shift Change: Narc was Present when inventory was reset		test narc	8/1/2019	Key	0000720094674139
Midazolam-3-16	8/1/2019	Key Override	Added to Lock Inventory		test narc	8/1/2019	Key	0000720094674139
Midazolam-3-16	8/1/2019	Mike Jensen	Removed from Lock		test narc	8/1/2019	PROXCARD	0000720094674139
Midazolam-3-16	8/1/2019	Mike Jensen	Shift Change: Narc was removed as the Safe was emptied		test narc	8/1/2019	PROXCARD	0000720094674139
Midazolam-3-16	8/1/2019	Mike Jensen	Added to Lock Inventory		test narc	8/1/2019	PROXCARD	0000720094674139
Midazolam-3-16	8/1/2019	Brook Robinson	Removed from Lock		test narc	8/1/2019	PROXCARD	0000720094674139
Midazolam-3-16	8/1/2019	Brook Robinson	Shift Change: Narc was removed as the Safe was emptied		test narc	8/1/2019	PROXCARD	0000720094674139
Midazolam-3-16	8/1/2019	Matt Brown	Added to Lock Inventory		test narc	8/1/2019	PROXCARD	0000720094674139
Midazolam-3-16	8/1/2019	John Garlach	Removed from Lock		test narc	8/1/2019	PROXCARD	0000720094674139
Midazolam-3-16	8/1/2019	John Garlach	Narc Absent-Reason: Broken		test narc	8/1/2019	PROXCARD	0000720094674139
Midazolam-3-16	8/6/2019	Mike Jensen	Reintroduced to Lock		test narc	8/6/2019	PROXCARD	0000720094674139
Midazolam-3-17	7/22/2019	Mitch Myrnez	Added to NARC iD System and Lock Inventory		test narc	7/22/2019	PROXCARD	0000720094674139
Midazolam-3-17	7/22/2019	Mitch Myrnez	Removed from Lock		test narc	7/22/2019	PROXCARD	0000720094674139
Midazolam-3-17	7/22/2019	Mitch Myrnez	Shift Change: Narc was Missing when inventory was reset		test narc	7/22/2019	PROXCARD	0000720094674139
Midazolam-3-17	7/22/2019	Mike Jensen	Added to Lock Inventory		test narc	7/22/2019	PROXCARD	0000720094674139
Midazolam-3-17	7/22/2019	Mike Jensen	Shift Change: Narc was Present when inventory was reset		test narc	7/22/2019	PROXCARD	0000720094674139
Midazolam-3-17	7/22/2019	Mike Jensen	Added to Lock Inventory		test narc	7/22/2019	PROXCARD	0000720094674139
Midazolam-3-17	7/22/2019	Mike Jensen	Added to Lock Inventory		test narc	7/22/2019	PROXCARD	0000720094674139
Midazolam-3-17	7/22/2019	Mike Jensen	Added to Lock Inventory		test narc	7/22/2019	PROXCARD	0000720094674139
Midazolam-3-17	7/22/2019	Mike Jensen	Removed from Lock		test narc	7/22/2019	PROXCARD	0000720094674139
Midazolam-3-17	7/22/2019	Mike Jensen	Shift Change: Narc was removed as the Safe was emptied		test narc	7/22/2019	PROXCARD	0000720094674139
Midazolam-3-17	7/22/2019	Mike Jensen	Added to Lock Inventory		test narc	7/22/2019	PROXCARD	0000720094674139

LockView 5Pro

- ◆ Required for all networked Non-NARC iD CompX eLocks (300 series)
- ◆ Allows fully automatic sending of eReports of audit showing who entered and when entries occurred
- ◆ Also needed for sending immediate notifications of unauthorized entry and doors left ajar

LockView 5

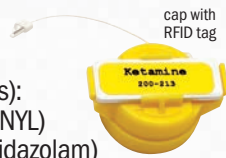
- ◆ Optional for non-networked locks
- ◆ Needed to extract audit trails or alter advanced lock functions

Accessories

NARC ID CAPS

(sold in boxes of 50;
caps include pre-installed tags):

- RF-CAP-FENTA (blue for fentaNYL)
- RF-CAP-MIDAZ (orange for Midazolam)
- RF-CAP-MORPH (purple for Morphine)
- RF-CAP-HYDRO (green for HYDROmorphone)
- RF-CAP-KETAM (yellow for Ketamine)
- RF-CAP-MEPEP (tan for Meperidine)
- RF-CAP-DIAZE (gray for diazePAM)
- RF-CAP-LORAZ (pink for LORazepam)
- RF-CAP-ETOMDT (orange-yellow for Etomidate)
- RF-CAP-DIPHEN (light green for Diphenhydramine)
- RF-CAP-ODTZOF (light blue for Ondansetron)
- RF-CAP-ROCURO (light red for Rocuronium)
- RF-CAP-VECURO (light red for Vecuronium)
- RF-CAP-KETRLC (light gray for Ketorolac)
- RF-CAP-HALPDL (black for Haloperidol)
- RF-CAP-TRAIN1 (clear for Training 1)
- RF-CAP-TRAIN2 (clear for Training 2)
- RF-CAP-GENER (white for Generic)
- RF-CAP-GENER1 (white for Generic 1)
- RF-CAP-GENER2 (white for Generic 2)
- RF-CAP-GEN001 (white for Generic Alt 1)
- RF-CAP-GEN002 (white for Generic Alt 2)



NARC ID CAPSULES

(sold in packs of 25):

- RF-CPS-OBLONG-SM (oblong, small: 2.5" wide, \varnothing 1.120" inside)
- RF-CPS-SHORT (short: 1.848" tall, \varnothing 1" inside)
- RF-CPS-MEDIUM (medium: 3.194" tall, \varnothing 1" inside)
- RF-CPS-LONG (long: 5.875" tall, \varnothing 1" inside)
- RF-CPS-OBLONG (oblong: 3.438" wide, \varnothing 1.875" inside)



NARC ID TAGS

- RF-TAG-FENTA (blue for fentaNYL)
- RF-TAG-MIDAZ (orange for Midazolam)
- RF-TAG-MORPH (purple for Morphine)
- RF-TAG-HYDRO (green for HYDROmorphone)
- RF-TAG-KETAM (yellow for Ketamine)
- RF-TAG-MEPEP (tan for Meperidine)
- RF-TAG-DIAZE (gray for diazePAM)
- RF-TAG-LORAZ (pink for LORazepam)
- RF-TAG-ETOMDT (orange-yellow for Etomidate)
- RF-TAG-DIPHEN (light green for Diphenhydramine)
- RF-TAG-ODTZOF (light blue for Ondansetron)
- RF-TAG-ROCURO (light red for Rocuronium)
- RF-TAG-VECURO (light red for Vecuronium)
- RF-TAG-KETRLC (light gray for Ketorolac)
- RF-TAG-HALPDL (black for Haloperidol)
- RF-TAG-TRAIN1 (clear for Training 1)
- RF-TAG-TRAIN2 (clear for Training 2)
- RF-TAG-GENER (white for Generic)
- RF-TAG-GENER1 (white for Generic 1)
- RF-TAG-GENER2 (white for Generic 2)
- RF-TAG-GEN001 (white for Generic Alt 1)
- RF-TAG-GEN002 (white for Generic Alt 2)



NARC ID TOTES

(sold individually with no caps or capsules):

- RF-TOTE-XSM (yellow, holds up to 6 short capsules)
- RF-TOTE-SMALL (blue, holds up to 15 short capsules)
- RF-TOTE-SMALL-R (red, holds up to 15 short capsules)
- RF-TOTE-LARGE (orange, holds up to 15 medium or long capsules)



ADAPTERS

- 150-DC12V 12V DC- 9V DC Inverter
- 150-AC9V 110 AC- 9V DC Adapter
- 300-AC12V 110V AC to 12 DC Adapter
- 300-DC12V 12V DC to 9V DC Inverter
- 300-AC9V 110V AC- 9V DC Adapter



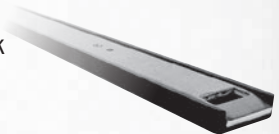
CARDS

- EL-PR-CARD HID Prox Card for Prox Readers
- EL-PR-FOB HID Fob for Prox Readers
- EL-PR-TAG HID Prox Tag for Prox Readers
- EL-IC-CARD HID iClass Card for iClass Readers
- EL-IC-FOB HID Fob for HID iClass Readers
- EL-IC-TAG HID iClass Tag for iClass Readers



STRIKES AND KITS

- EL-VHB-KIT Very High Bond Adhesive Kit
- EL-ADJ-STRK Adjustable Strike for eLock Fridge Units
- EL-AJSTRIKE-KIT Full Adjustable Strike Kit with Spacers and Adapters
- EL-XLSTRK-FRKIT Long Strike for eLock Fridge Units (14" LONG)



SOFTWARE

- LOCKVIEW-5 Lockview 5 Single License
- LOCKVIEW-5PRO Lockview 5 Pro Dual License for Networking
- LOCKVIEW-5ID PRO Lockview 5iD Pro Dual NARC iD License for Networking
- LOCKVIEW-5iD Lockview 5iD Single License for NARC iD



TECH SUPPORT

- TECH SUPPORT 1 year Tech Support (2 years or 3 years also available)

MISCELLANEOUS

- MA323420000J Cable for 200/300 Reader to Brainbox - 16"
- 41411600000J 150 lock to 100 latch cable adapter
- EL-LATCH-MID Mid latch slam version
- EL-LATCH-MID-OE Mid latch bolt version
- EL-LATCH-SM Min-eLatch compact latch
- EL-LATCH-3 Large metal latch with slam bolt
- EL-LATCH-3OE Large metal latch with rectangular dead bolt with 8-32 threaded transverse through hole
- 25332600000J eLock display bezel used on NARC Box assemblies and MMA kits
- 33228900000J Glycol kit for 200/300 fridge probes
- EL-DRV-15 TORX 15 sec bit driver with handle



Part numbers

How to build an eLock part number

Make one selection from each step below.

STEP 1

SS = Stand alone, Non-Networking device

ES = Ethernet Networking enabled device

WS = Indicates WI-FI Networking enabled device

STEP 2

KP = Keypad only access enabled

PRKP = Enabled with HID Prox reader with Keypad access

ICKP = Enabled with HID iClass reader with Keypad access

NARC-ID = NARC-iD enclosure including automated inventory control

NARC-ID-XSM = Extra Small NARC iD enclosure with automated inventory control

CSU = Large Central Storage unit with full NARC iD features

NARC = Turnkey NARC enclosure with preinstalled lock

NARC-XL = Extra Large Turnkey NARC enclosure with preinstalled lock

NARC-SM = Small Turnkey NARC enclosure with preinstalled lock

DROP = Turnkey NARC enclosure for securing waste or other discards

CAB = Kit designed for Cabinet or Drawer retrofit

FRG = Unit is designed for Refrigerator retrofit kit

TMP = Unit has Temperature Monitoring and Locking functions

UTMP = Unit has Ultra Low Temp Monitoring and Locking functions

TMP-MO = Unit has Temp monitoring only and no locking functions

UTMP-MO = Unit has Ultra Low Temp monitoring only and no locking functions

STK2 = NARC Stack with 2 conjoined enclosures and one lock controller

STK4 = NARC Stack with 4 conjoined enclosures and one lock controller

STK6 = NARC Stack with 6 conjoined enclosures and one lock controller

STK8 = NARC Stack with 8 conjoined enclosures and one lock controller

AC = Indicates unit is optionally AC powered to include AC adapter

MMA = Lock is designed to work with specific OEM-MMA units

MMA2 = Lock is designed to work with specific OEM-MMA units requiring dual latch functions

STEP 3

Example: **WS-KP-CSU**

*Wi-Fi networking enabled device with keypad only access enabled,
for a large central storage unit with full NARC iD features*

In good company . . .

What real NARC iD customers have to say:

"We are fortunate enough to have CompX NARC iD for all our ALS vehicles. After researching all the NARC Safes out there, only CompX NARC iD met all of our EMS needs. This NARC iD product is excellent and the CompX support staff is unmatched. I cannot praise them enough."

**EMS Chief Andy Jackson,
Putnam County EMS**

"CompX has awesome Customer service and I highly recommend the NARC iD product to all Fire & EMS services."

**EMS Capt David Wielgosz,
Metropolitan Washington
Airports Authority**

"The CompX NARC iD system has brought our narcotic tracking and storage to the next level, significantly improving both security and accountability. It's a reliable, user-friendly solution that has streamlined our process and increased our confidence in the process."

**Battalion Chief Joe Cable,
Temple Terrace Fire Dept**

"CompX's NARC iD has provided our department with a secure, efficient system for tracking and managing controlled substances, improving accountability and operational oversight."

**Chief Ryan Ashe,
James City County in Williamsburg, VA**

.....

Notes

.....
.....
.....
.....
.....
.....

**Are you ready to add NARC iD to your program?
Contact us today to get started!**



compXems.com