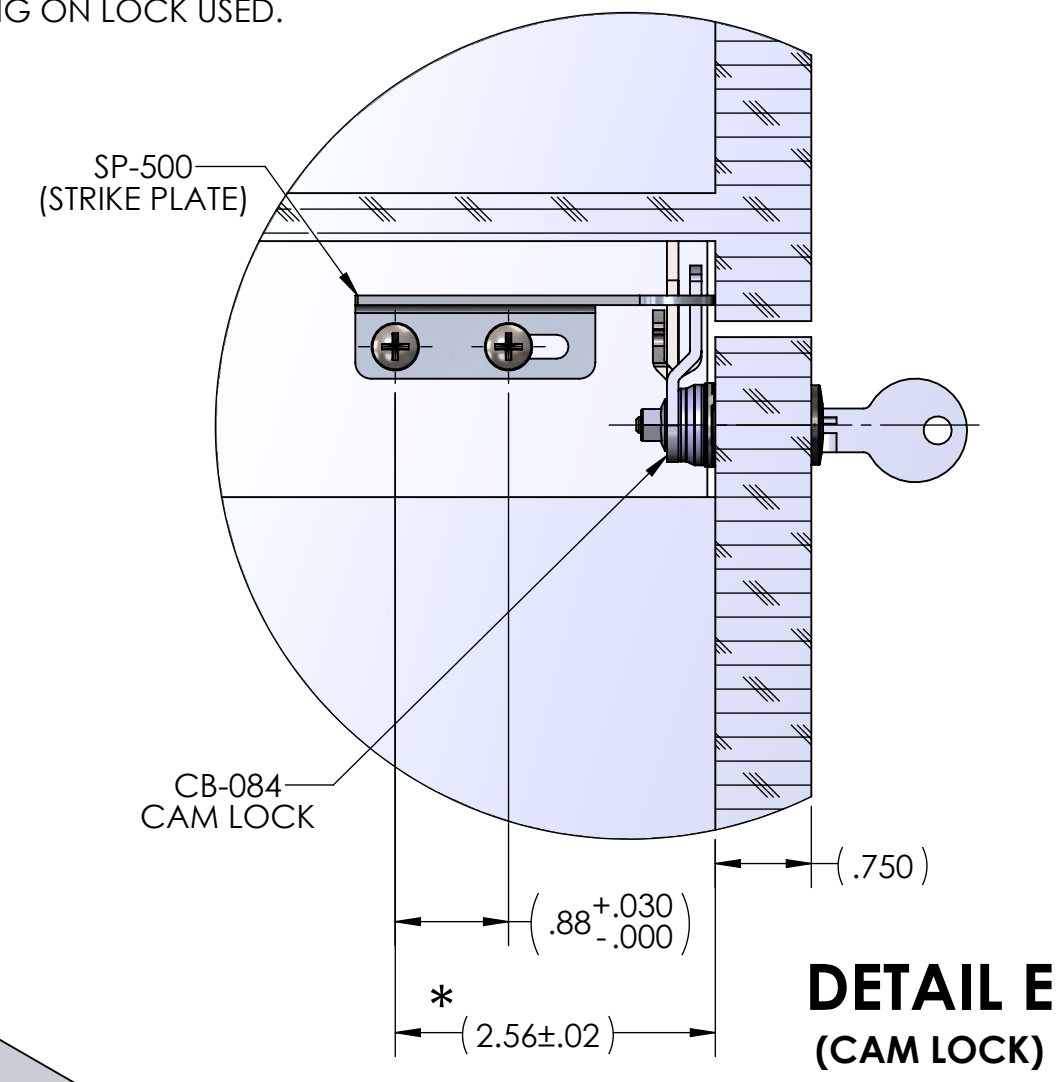
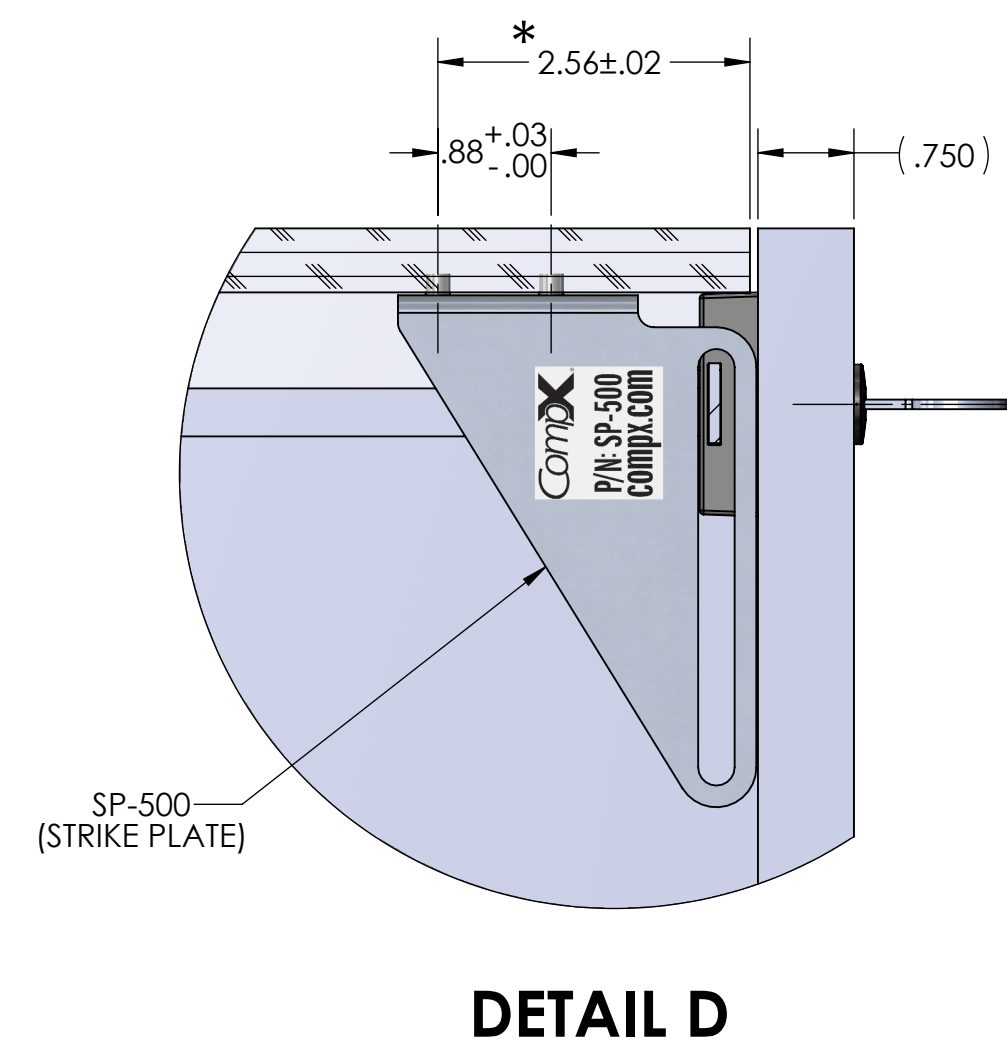


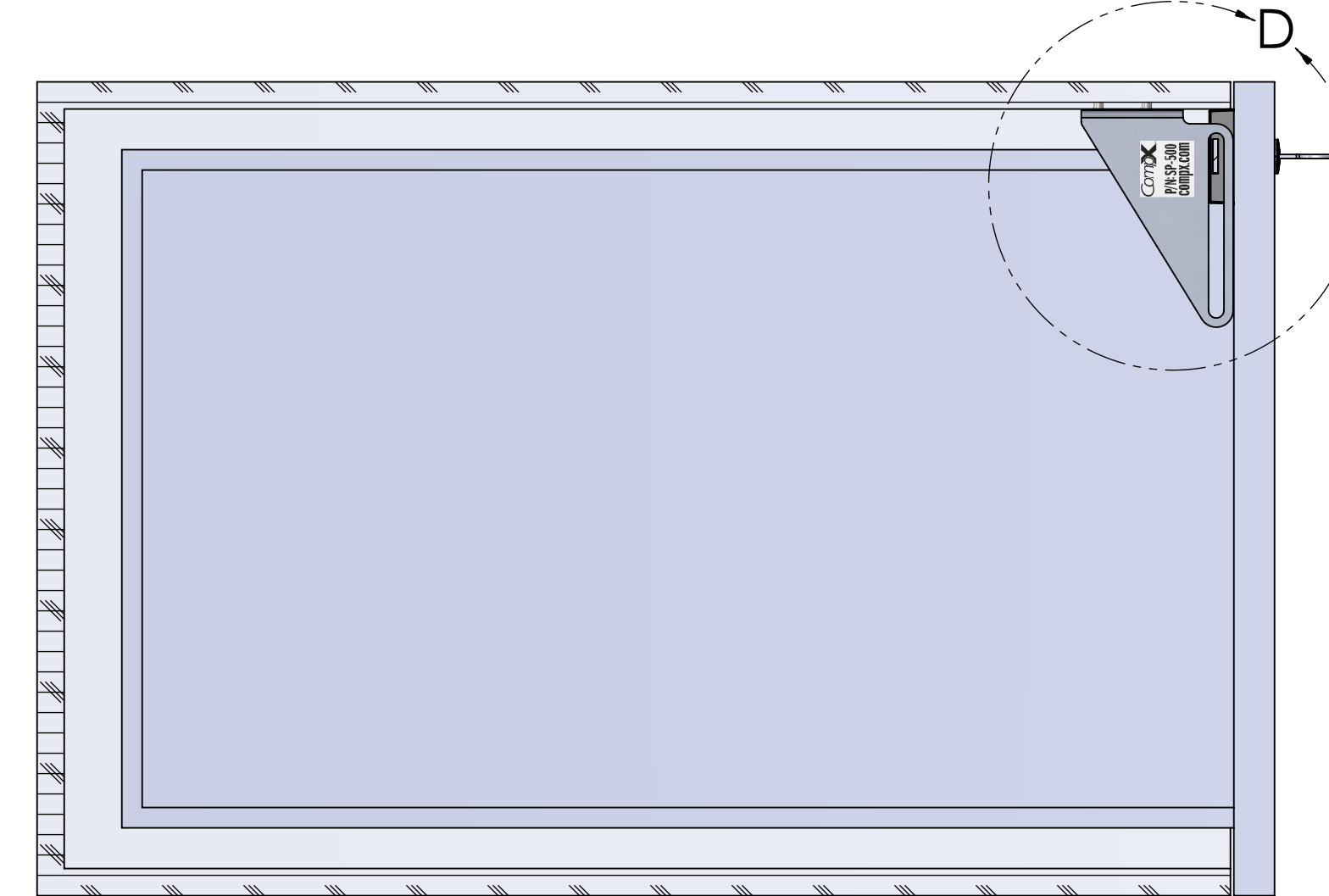
NOTE: * - DIMENSION BASED ON LOCK; THIS IS A REF. DIMENSION ONLY AND DIMENSIONS MAY CHANGE DEPENDING ON LOCK USED.



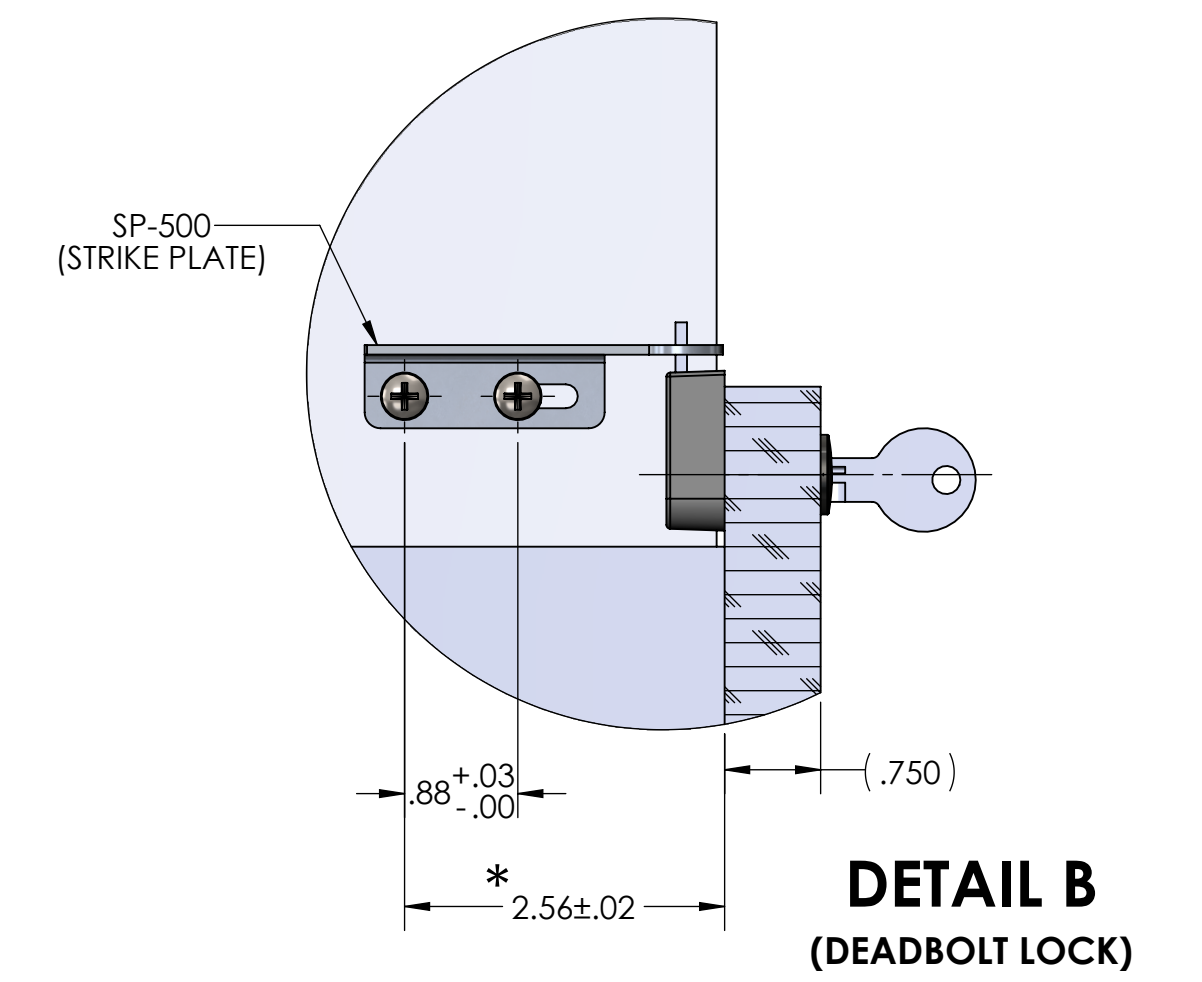
**DETAIL E
(CAM LOCK)**



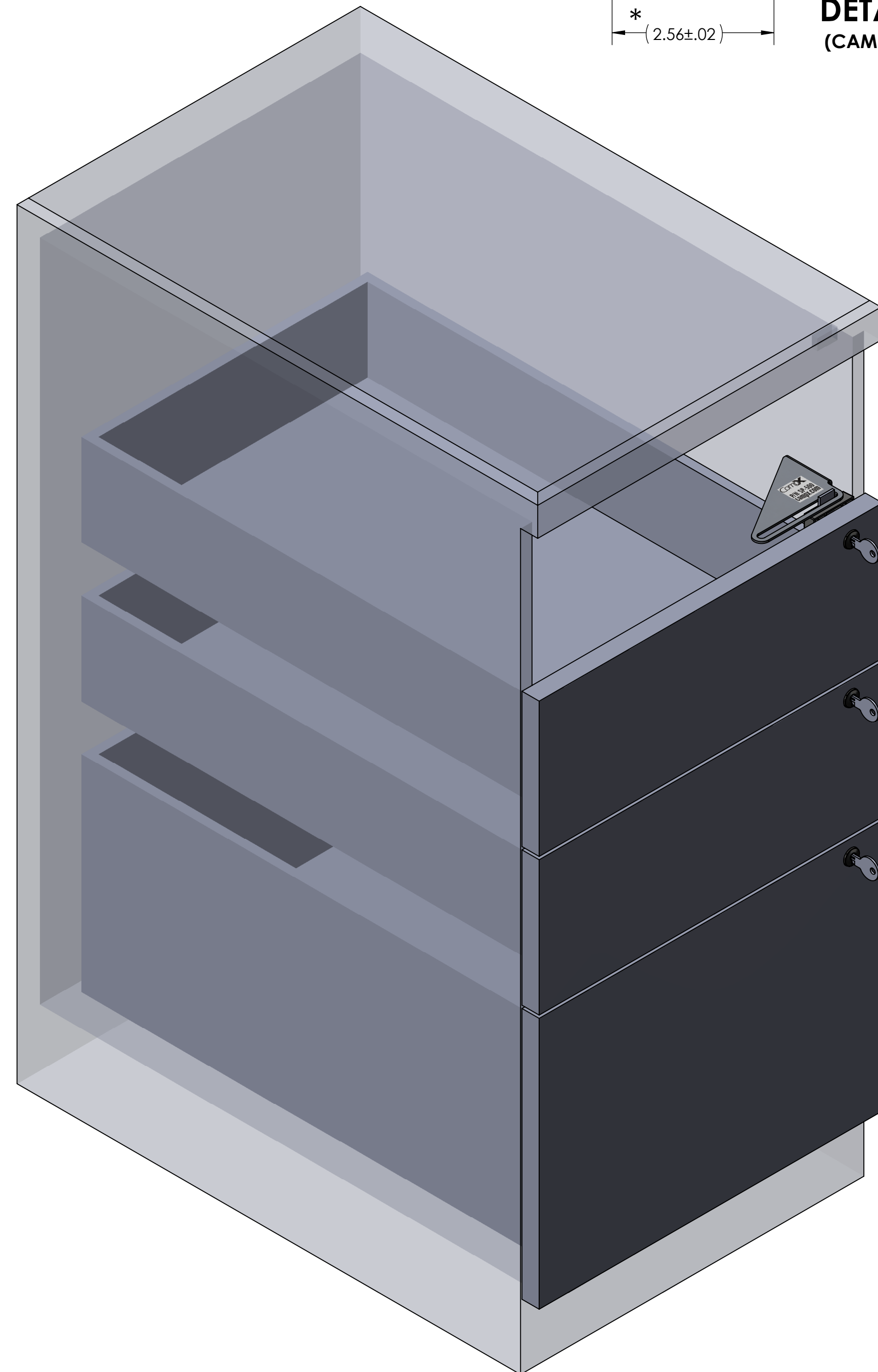
DETAIL D



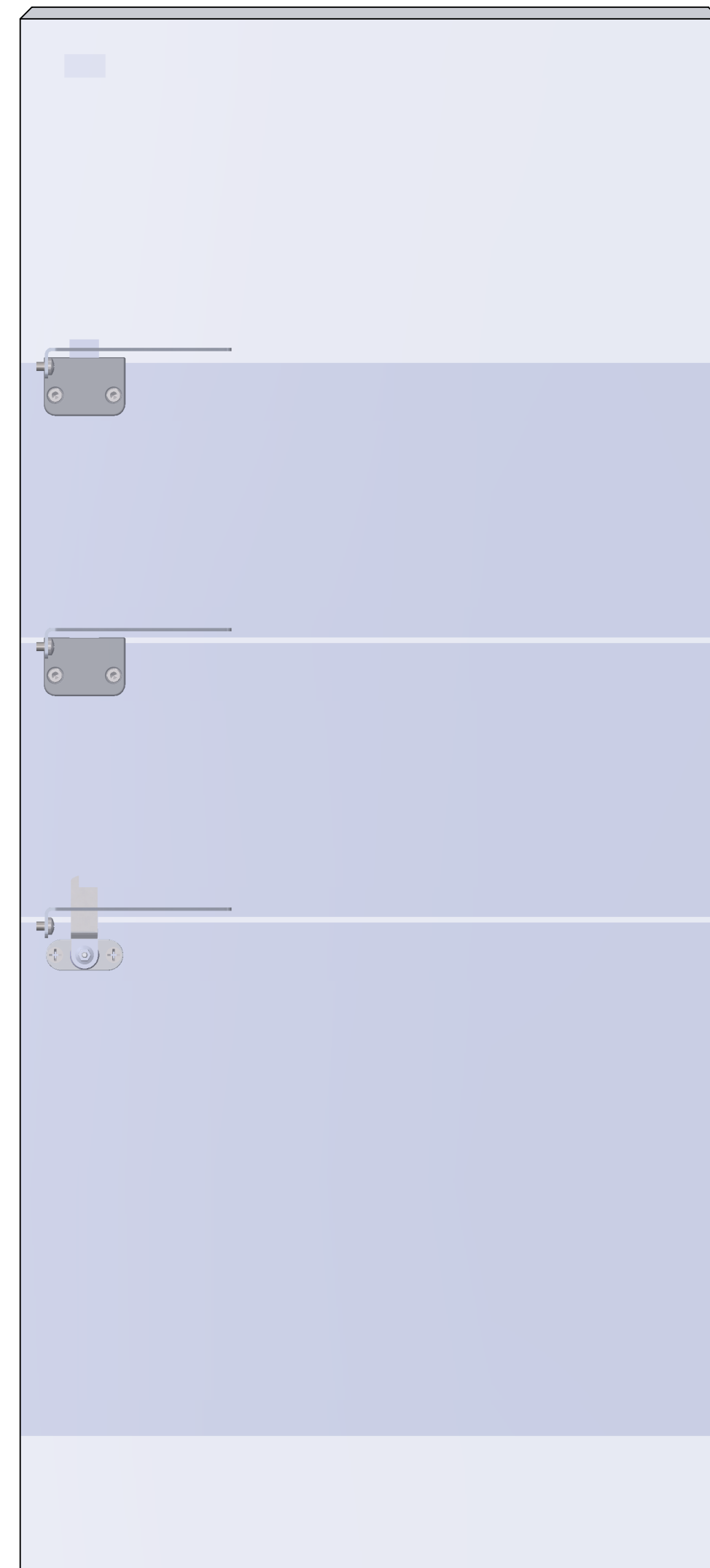
SECTION C-C



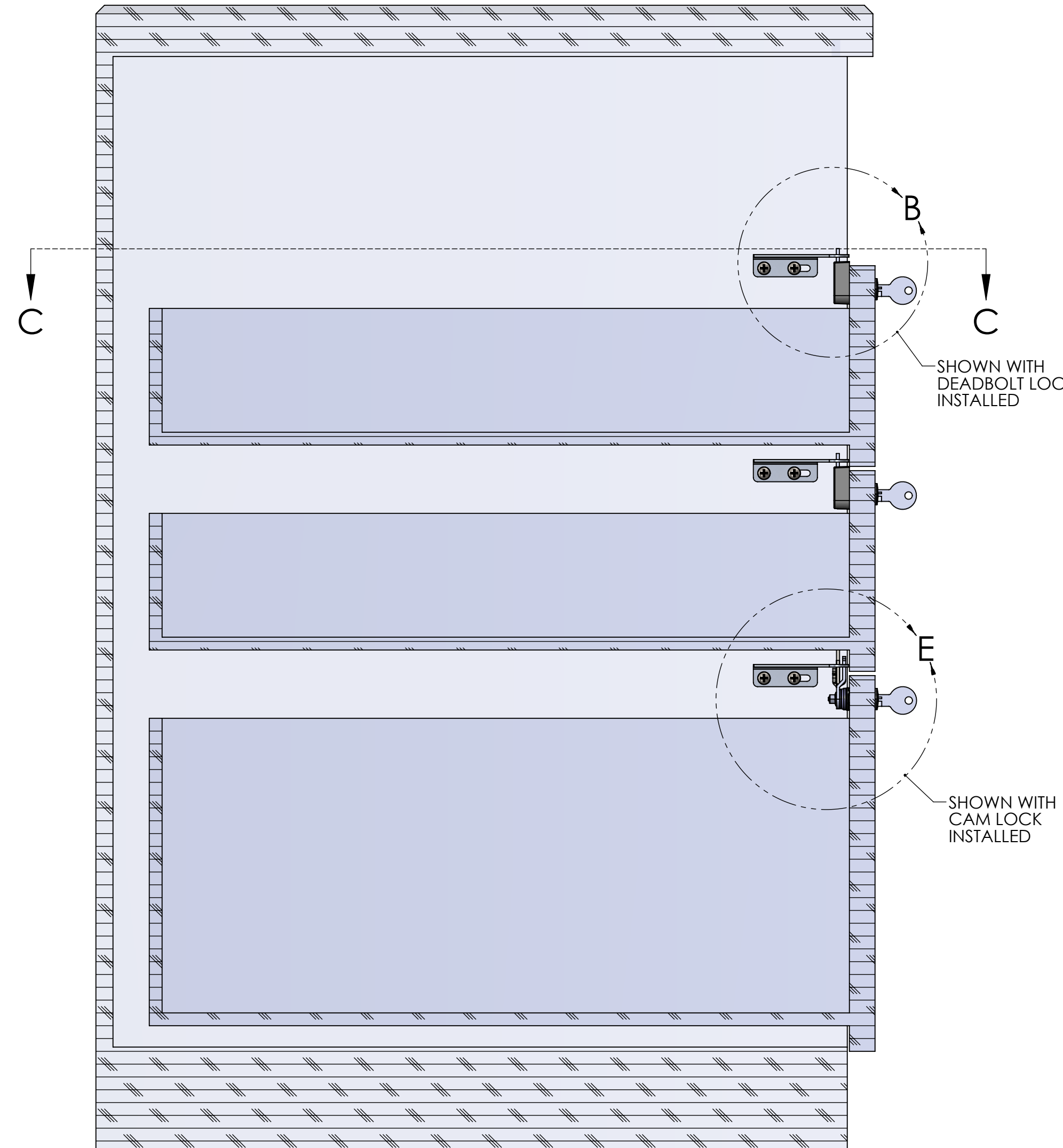
**DETAIL B
(DEADBOLT LOCK)**



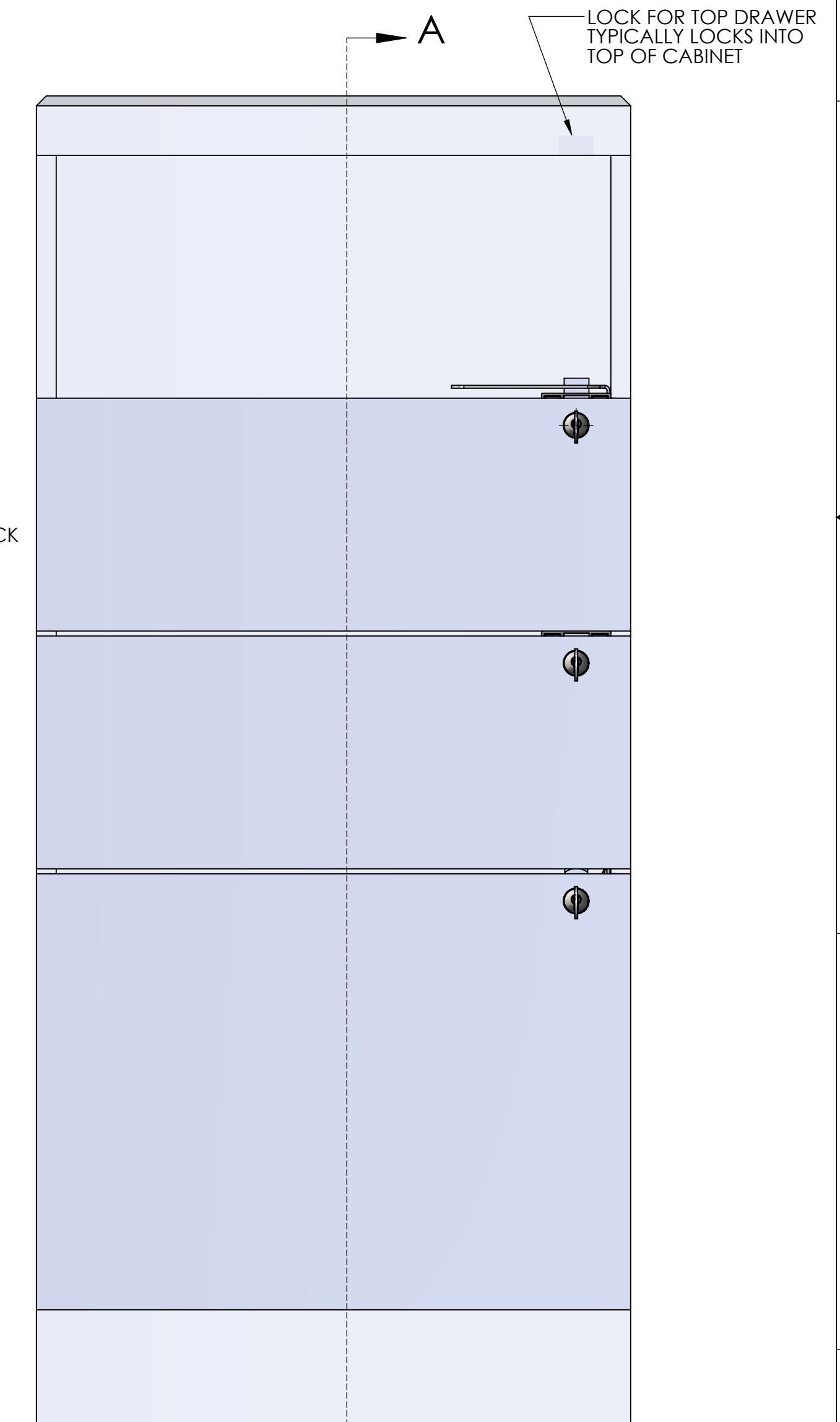
ISO-VIEW



REAR VIEW



SECTION A-A



FRONT VIEW

PROPRIETARY AND CONFIDENTIAL
THE INFORMATION CONTAINED IN THIS DRAWING IS THE SOLE PROPERTY OF <INSERT COMPANY NAME HERE>. ANY REPRODUCTION IN PART OR AS A WHOLE WITHOUT THE WRITTEN PERMISSION OF <INSERT COMPANY NAME HERE> IS PROHIBITED.

UNLESS OTHERWISE SPECIFIED:		NAME	DATE	CompX - TIMBERLINE
DRAWN	RM	10/10/14	TITLE:	
				SP-500 APPLICATION ILLUSTRATION
				SIZE DWG. NO. REV
				D SP-500 AI 1
				SCALE: 1:20 WEIGHT: SHEET 1 OF 1