

# TANK Commander Too – Instructions

## Product Instructions

Existing dust cap is no longer needed, TANK Commander Too has an integrated dust cap included. TANK Commander Too is not approved for gasoline storage in California; please check local regulations to confirm use in your area is acceptable.

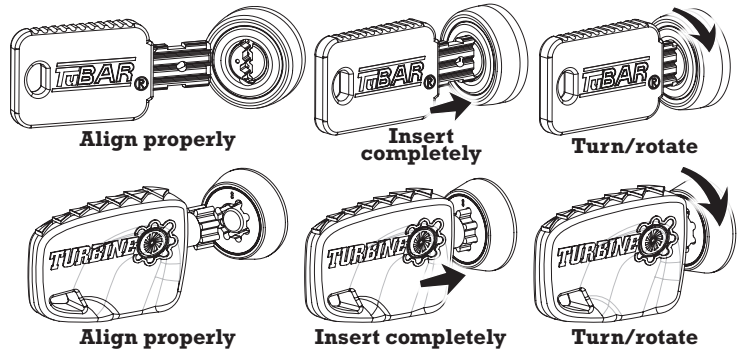
Annually inspect dust cap seal for nicks, tears or deformations and replace if necessary. Installation of TANK Commander Too should not violate any

(height) limitations exhibited in California Air Resources Board Executive Orders VR101-VR105. If the original Vapor Recovery System installation will not allow correct installation of TANK Commander then modification to the vapor recovery system is required (i.e. fill pipe height reduction) to maintain installation requirements.

## TuBAR or Turbine TANK Commander

(P/N: TCT-1, TCT-2)

Insert key into the keyway of the lock on top of the stainless steel TANK Commander Too and rotate clockwise to retract locking bolt. Align stainless steel TANK Commander over the fill pipe and press down to snap in place. Return the key to the 12 o'clock position and remove. The TANK Commander Too is now secured to the fill pipe and should rotate freely.



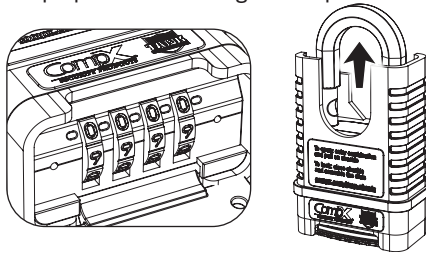
## Padlock TANK Commander Too (P/N: TCT-PL, TCT-PL-NL)

Align stainless steel TANK Commander Too over fill pipe and press down to snap in place; install padlock shackle through the spindle hole. Secure TANK Commander Too by locking the padlock; product should rotate freely.

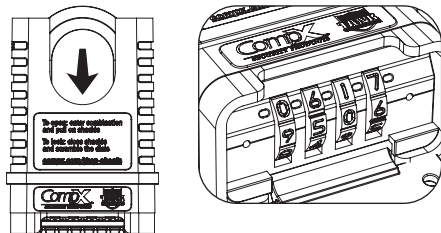
**To Change the Combination:** Open the lock using the proper combination and pull the shackle up to unlock. Turn the shackle 90° then press down completely. Now rotate another 90° to the left.

The factory combination is 0-0-0-0. Be sure to record new combination. Warranty does not cover lost, stolen or incorrectly set combinations.

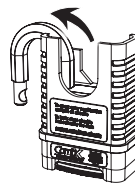
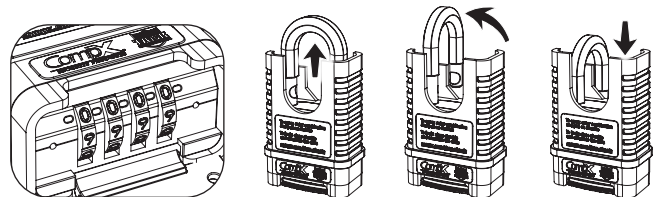
**To Open:** Spin the dials so the proper numbers align on top with the black hash marks. Pull the shackle up to unlock.



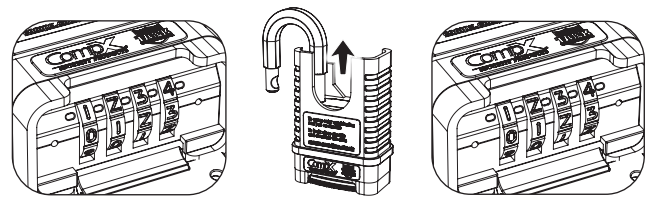
**To Close:** Push the shackle down to close. Scramble dials to lock the shackle.



The dials will only spin when the shackle is in the locked position.



Set the dials to the new combination. Pull shackle up and check that the new combination remains set properly on the intended numbers.



See previous instructions (on left) to close and lock.



**Standard Product Warranty on back.**

**ISO 9001 certified.**

# TANK Commander Too – Warranty

## Standard Product Warranty

Seller warrants to the initial purchaser, for a period of one year from date of installation, that the Products sold hereunder will, at the time of delivery: (a) be adequately contained, packaged, and labeled; and (b) conform to any promises and affirmations of fact made on the container and label. In the event that any such Products fail to conform to the foregoing warranty, Seller will, at its option, repair or replace such nonconforming Products, or credit Buyer for an amount not to exceed the

original sales price of such Products. Shipping costs incurred in returning such nonconforming Products to Seller shall be borne by Buyer. Seller shall in no event be liable for any inspection, handling, or packaging costs incurred by Buyer in connection with such Products. Buyer's negligence, misuse, improper installation, or unauthorized repair or alteration, shall void this warranty.

## TANK Commander Too features:

### Tank Commander Too fits all standard fill pipes

- ◆ Economical and easy to operate
- ◆ One piece unit with integrated cap
- ◆ Fits common bronze fill pipes
- ◆ 7" diameter fits all openings
- ◆ Rubber tilt ring for alignment and security
- ◆ 24/7 protection for diesel and gas

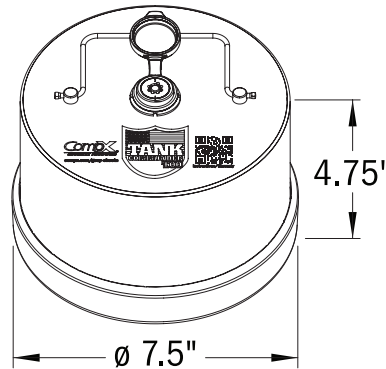
### TuBAR or Turbine Tank Commander Too

- ◆ TuBAR® or Turbine lock for maximum key control
  - No key blanks available except from factory
  - Key series registered to your store(s)
- ◆ Keyed alike available – use the same key for both Tank Commander Too and dispensers

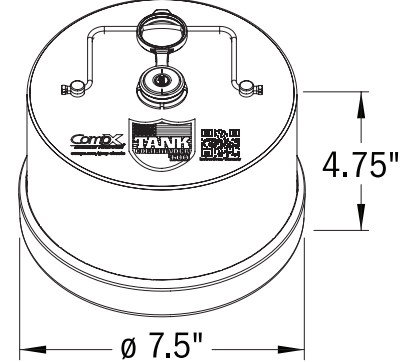
### Tank Commander Too – with or without padlock

- ◆ Available with heavy duty four number changeable combination padlock
- ◆ Or use existing padlock

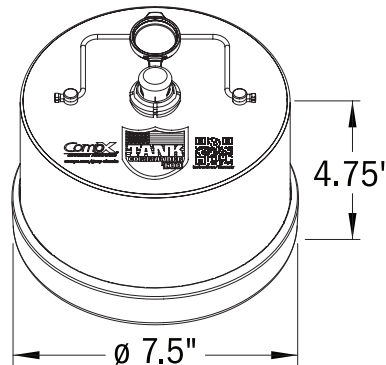
**Turbine  
TANK Commander Too**  
(P/N: TCT-2)



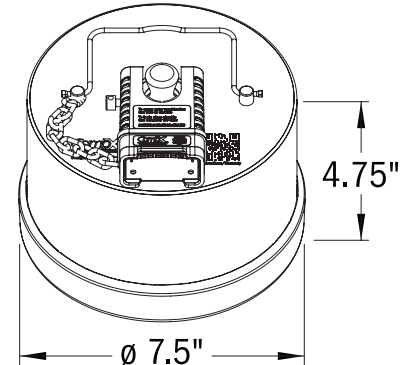
**TuBAR  
TANK Commander Too**  
(P/N: TCT-1)



**TANK Commander Too  
without padlock**  
(P/N: TCT-PL-NL)



**Padlock  
TANK Commander Too**  
(P/N: TCT-PL)



ISO 9001 certified.

For more information on the CompX Total Gas Station Security Program, visit [compX.com/gssp](http://compX.com/gssp)

Copyright 2021 © CompX Security Products / 864.297.6655 / [compX.com](http://compX.com) / PO Box 200, Mauldin, SC 29662  
Any companies and/or products referred to herein are marks or registered trademarks of their respective companies, owners and/or mark holders.