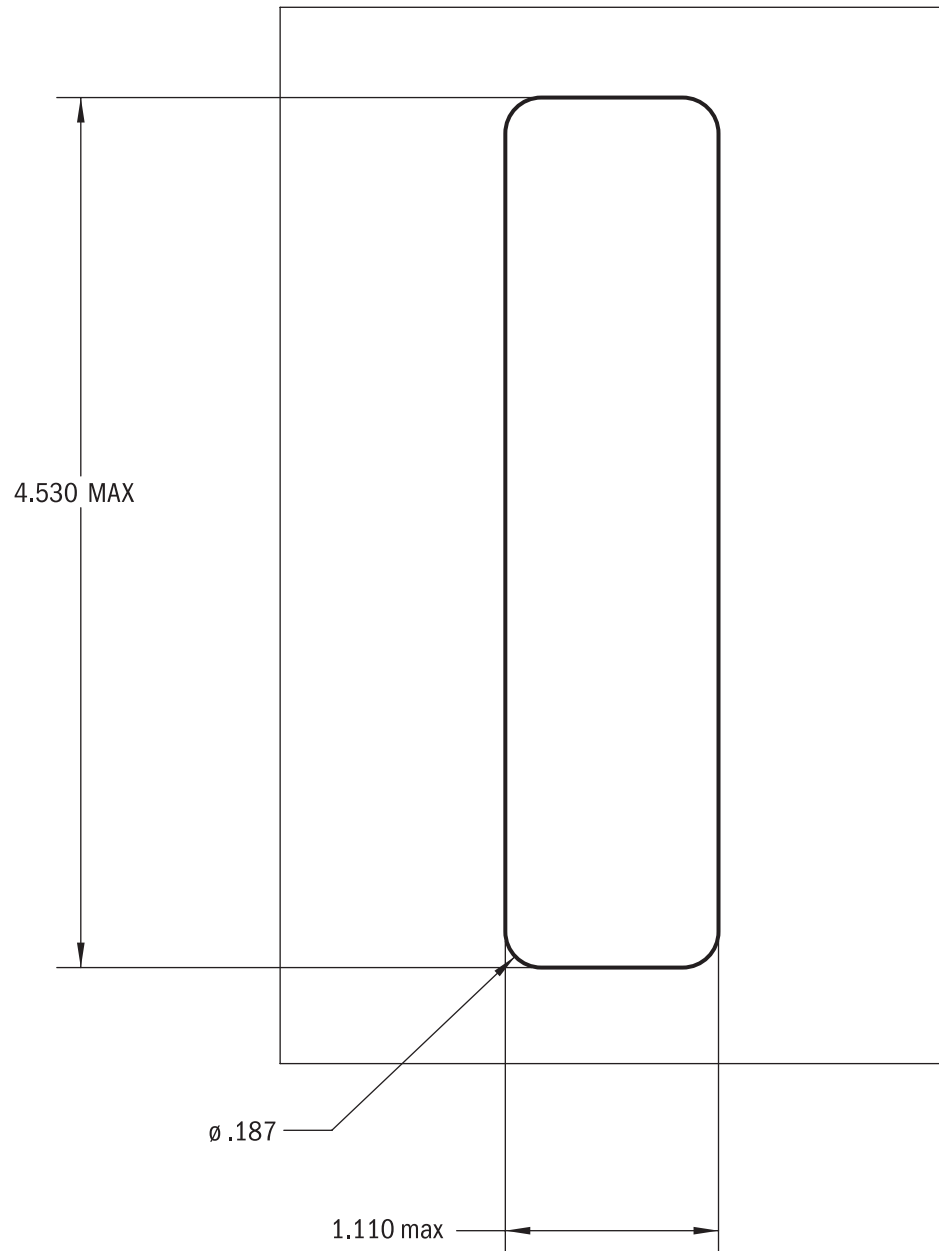


TRUE SCALE

△ VERIFY DIMENSION TO SCALE
PRIOR TO ANY MACHING

SCALE 1 : 1



TRUE SCALE

△ VERIFY DIMENSION TO SCALE
PRIOR TO ANY MACHINING

- Composite materials:
- sheet metal
 - any material thinner than 1/2"