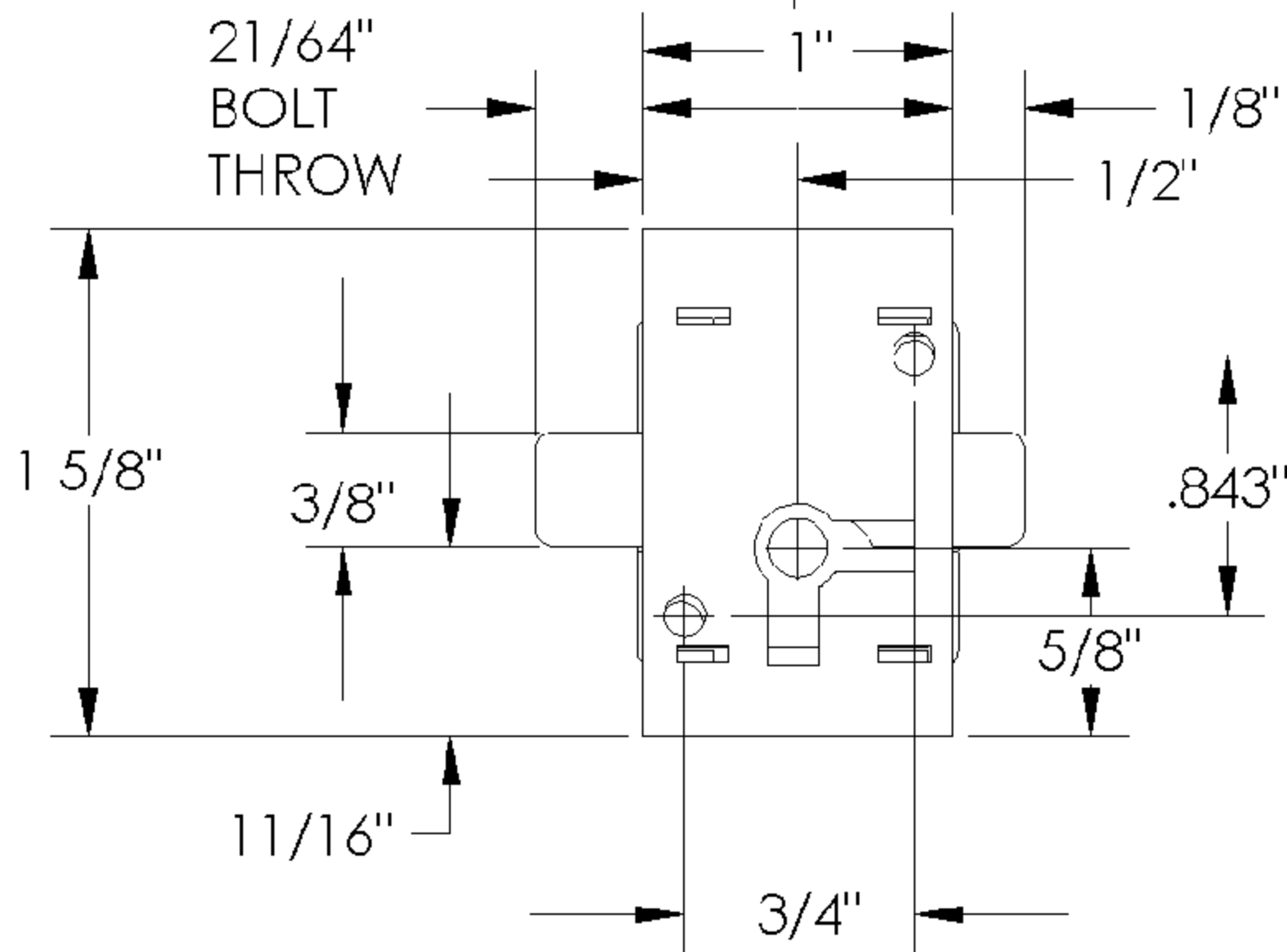
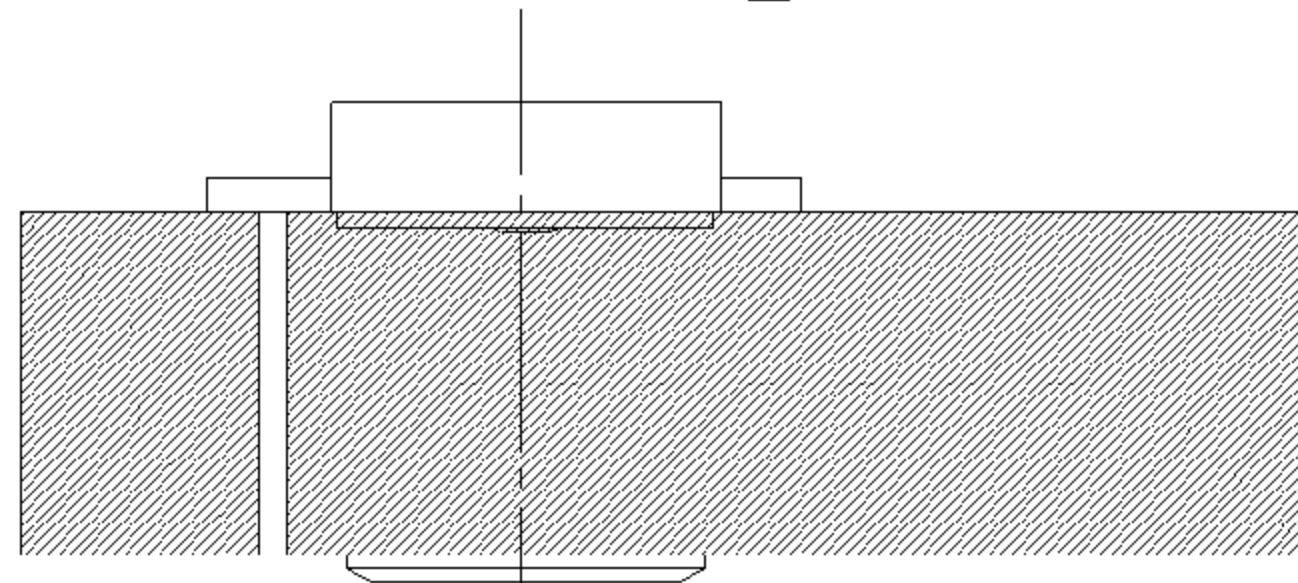
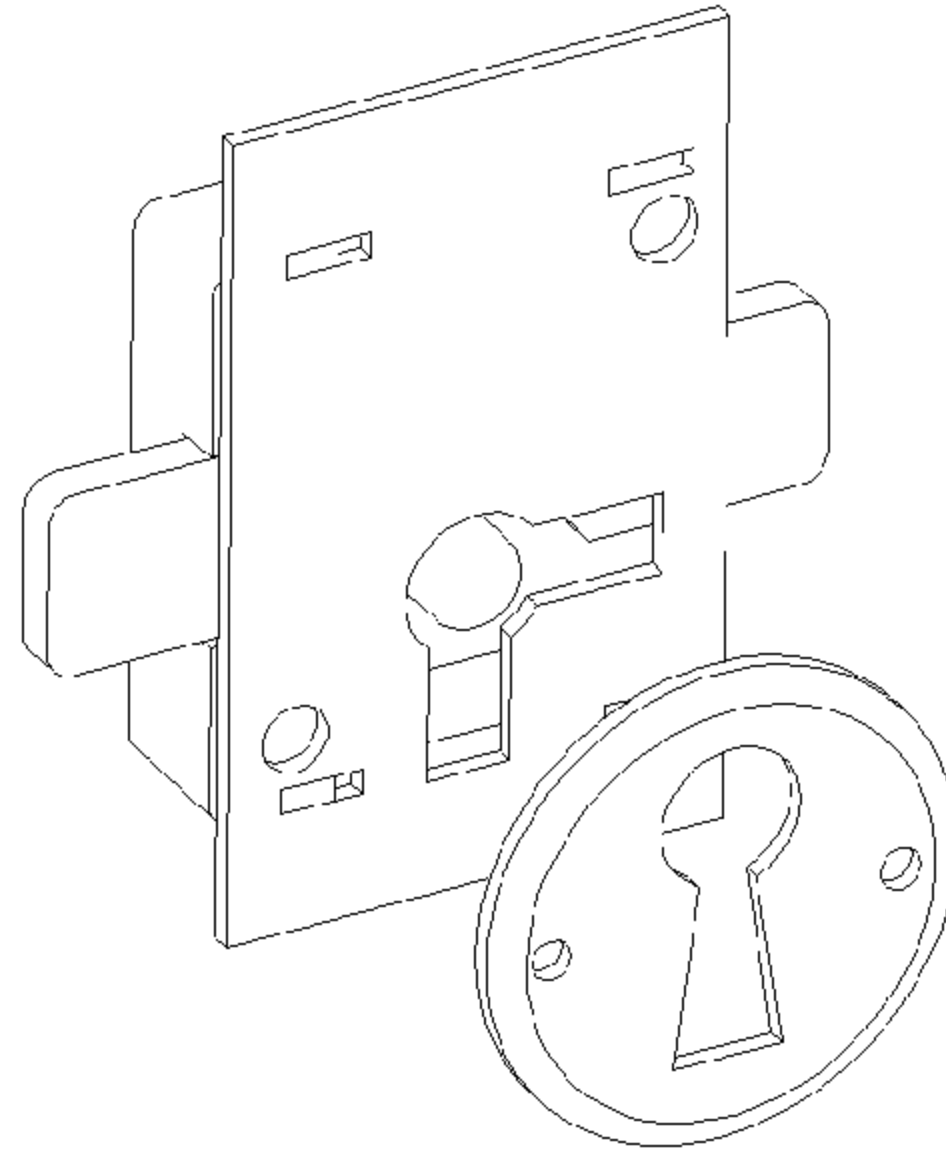


## C8826 FURNITURE LOCK



PART NO.	INSTALLATION	BOLT TYPE	BOLT TRAVEL	CASE QUANTITY	REFERENCE NUMBER	KEY BLANK
C8826-3	DOOR/DRAWER SURFACE MOUNTED	DEAD	21/64"	25	NO-0826-001	D8890