

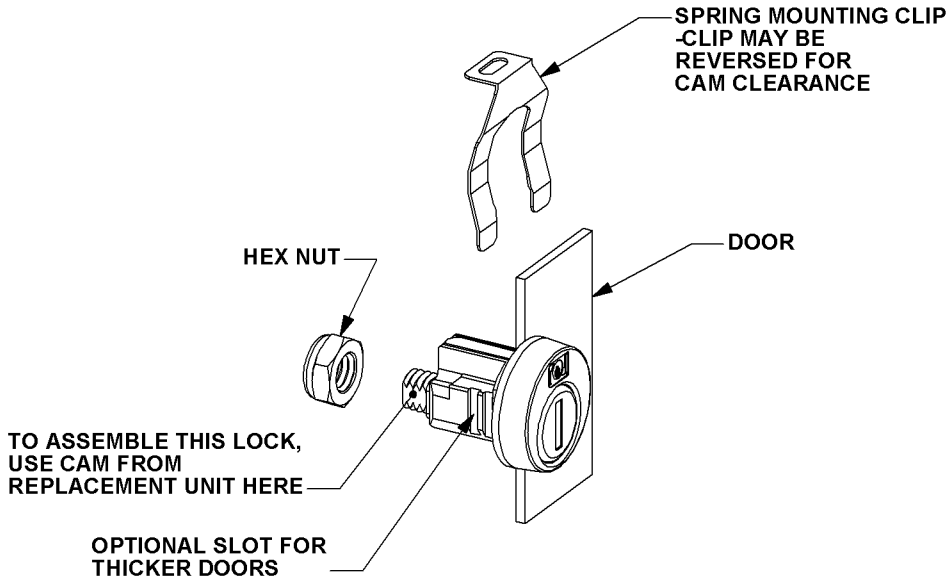
# STOCK LOCKS®

Manufactured by

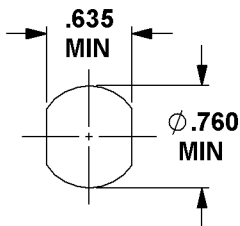
**NATIONAL  
CABINET LOCK®**

## C8733 MAIL BOX LOCK

- 5 PIN TUMBLER
- 90° COUNTER CLOCKWISE
- DUSTSHUTTER



### CYLINDER MOUNTING HOLE DIMENSIONS



NOTE: KEY MAY NOT REMOVE PROPERLY IF CAM IS NOT ATTACHED.

THIS LOCK MEETS U.S.P.S. SPECIFICATION #L-1172 AND DRAWING #1003833 FOR NDCBU AND CBU APPLICATIONS.

IF NEEDED, U.S.P.S. APPROVED STAINLESS STEEL CAMS ARE AVAILABLE FROM YOUR DISTRIBUTOR