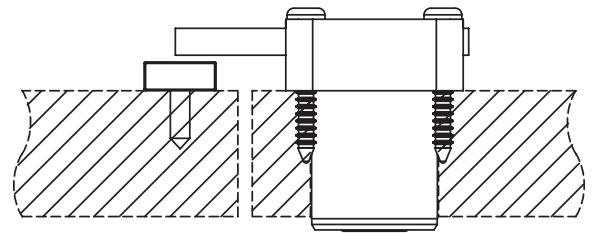
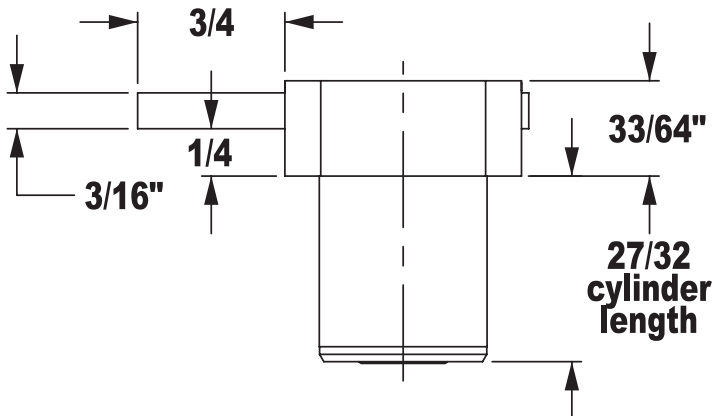


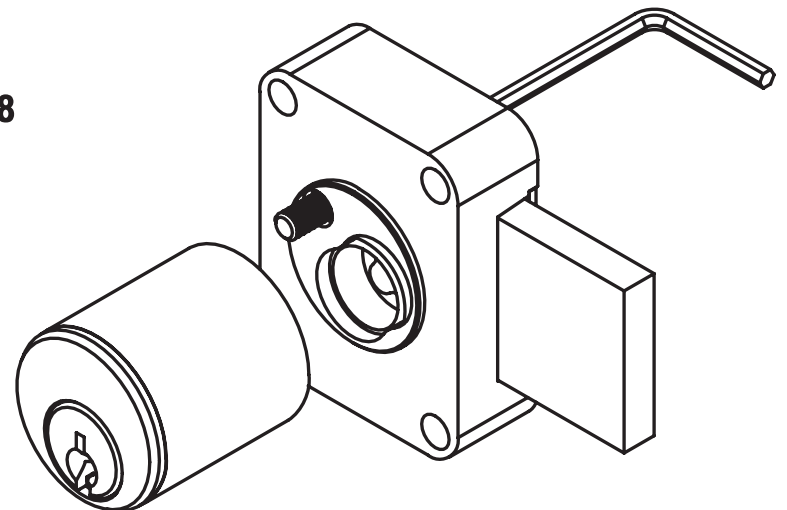
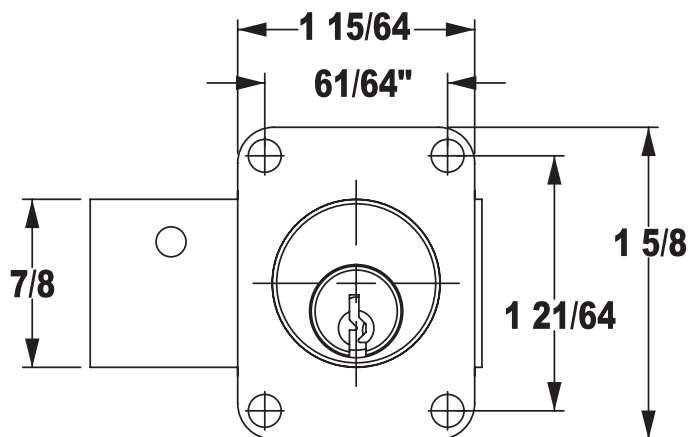
C8173 DOOR LOCK

- 4 pin tumbler
- brass cylinder
- for RH or LH doors

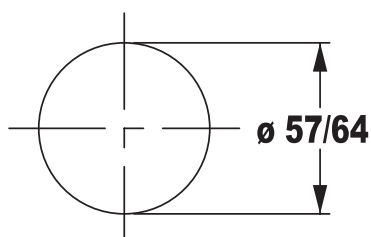


Lock is shown in locked position for right hand door applications.

Lock is reversible for left hand door applications.



cylinder mounting hole



Drill $1/16$ " diameter pilot holes for mounting screws

Use a $5/64$ " Allen wrench from the back to remove the cylinder.

Note: lock must be in the position shown.