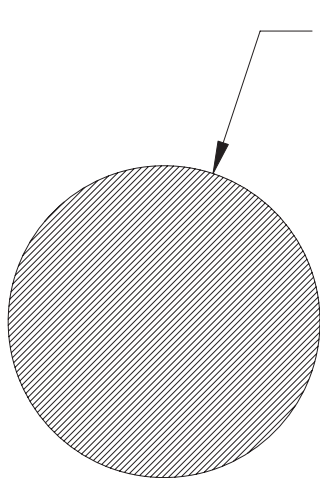
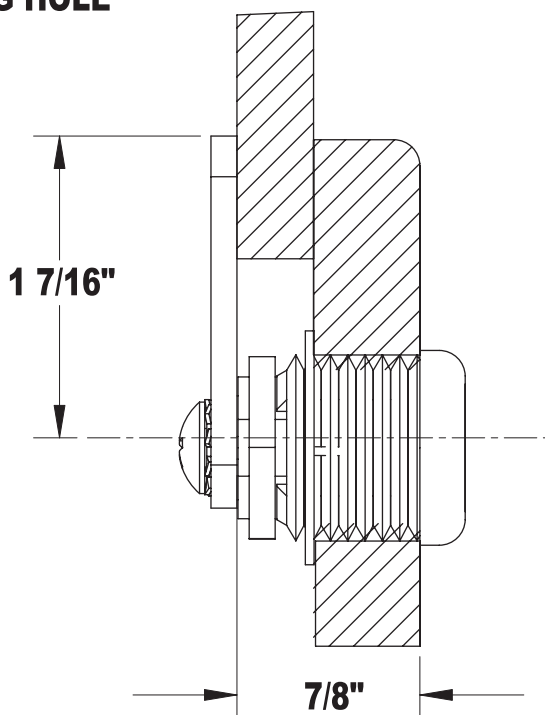
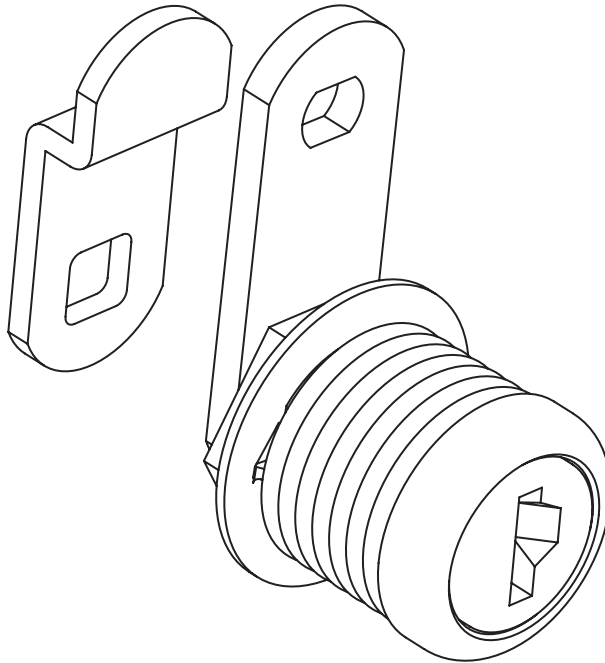


C8062 DISC TUMBLER REVERSIBLE KEY CAM LOCK

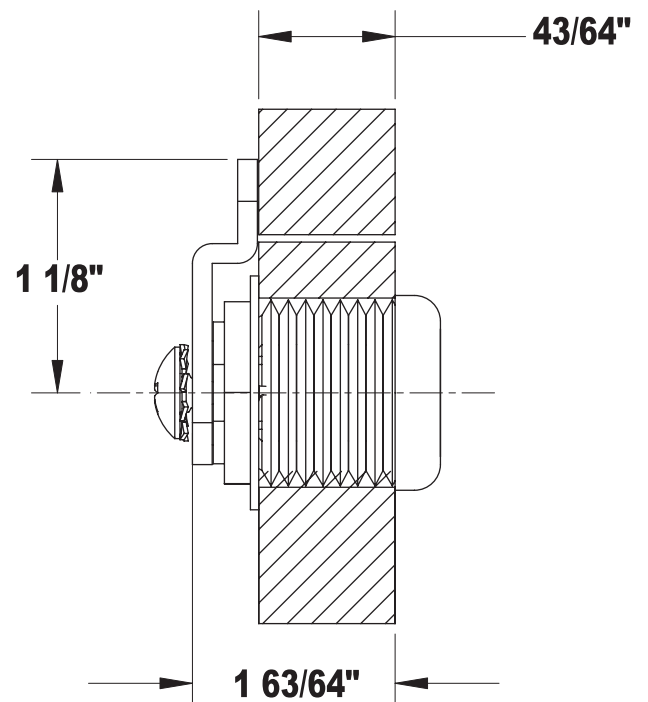


$\varnothing 1 \frac{1}{2}$ "

**RECOMMENDED
MOUNTING HOLE**



OVERLAY



FLUSH