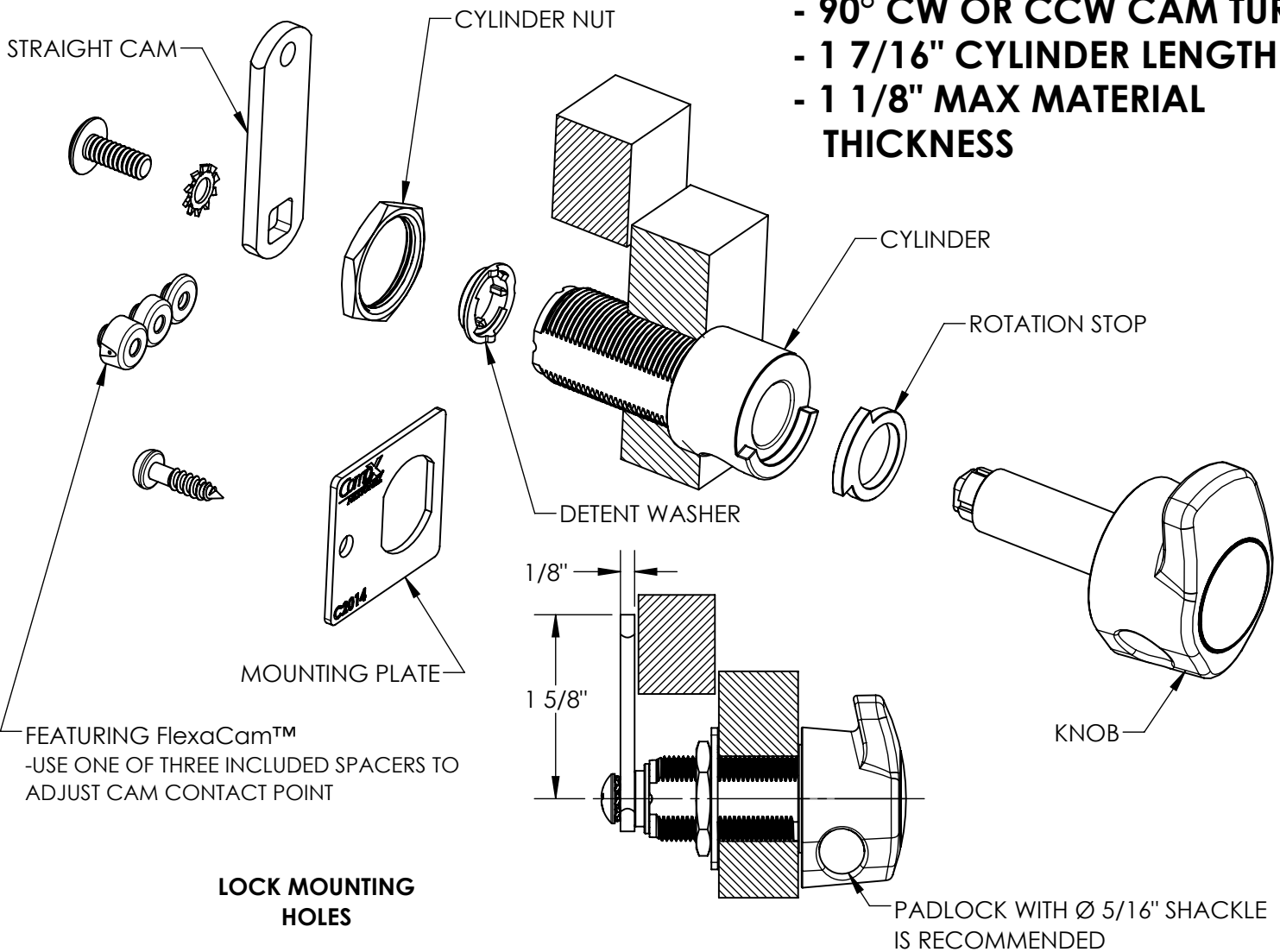
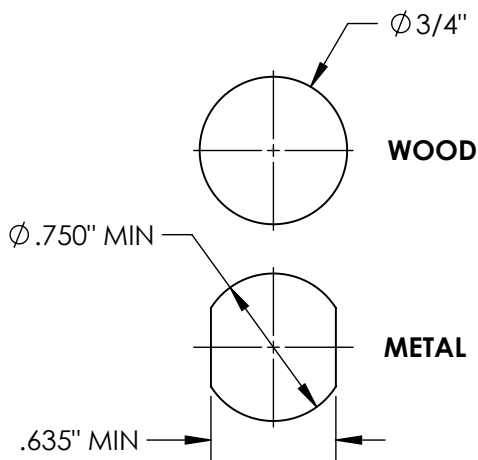


C8010 PADLOCK CAM LOCK

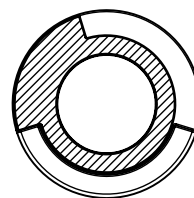
- 90° CW OR CCW CAM TURN
- 1 7/16" CYLINDER LENGTH
- 1 1/8" MAX MATERIAL THICKNESS



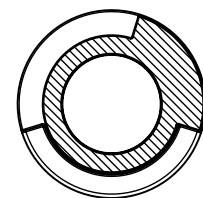
LOCK MOUNTING HOLES



CYLINDER FRONT VIEW, SET ROTATION STOP BEFORE INSTALLING KNOB



INSTALL ROTATION STOP AS SHOWN FOR 90° CW ROTATION



INSTALL ROTATION STOP AS SHOWN FOR 90° CCW ROTATION

FOR 180° ROTATION, OMIT ROTATION STOP