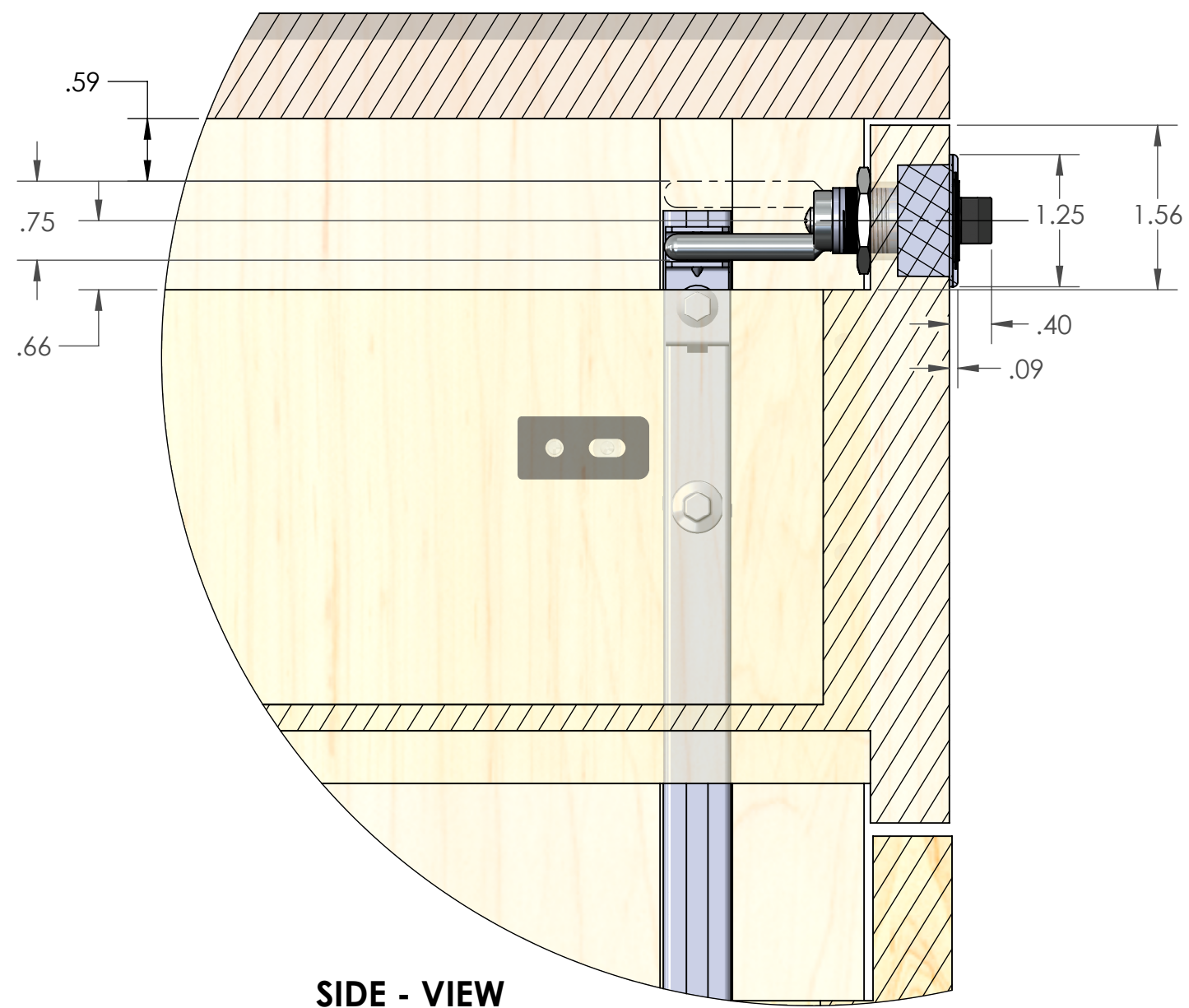


TOP - VIEW

SHOWN IS A TYPICAL INSTALLATION WITH SYS-100



ISO-VIEW



SIDE - VIEW

NOTES:

1. WORKS WITH COMPX TIMBERLINE SYS-100, SYS-101 & SYS-104.
2. SEE APPROPRIATE APPLICATION DRAWING FOR LOCKBAR POSITION AND LOCKBAR CLIP TO BE USED.
3. CONTACT COMPX TIMBERLINE FOR THE CompX PEARL PART NUMBER, IF NEEDED.
4. LOCK SHOWS RECESSED WITH -2 CYLINDER.

PROPRIETARY AND CONFIDENTIAL
 THE INFORMATION CONTAINED IN THIS DRAWING IS THE SOLE PROPERTY OF <INSERT COMPANY NAME HERE>. ANY REPRODUCTION IN PART OR AS A WHOLE WITHOUT THE WRITTEN PERMISSION OF <INSERT COMPANY NAME HERE> IS PROHIBITED.

UNLESS OTHERWISE SPECIFIED:		NAME	DATE	COMPX - TIMBERLINE
DIMENSIONS ARE IN INCHES		DRAWN	AM	
TOLERANCES:		CHECKED		TITLE:
FRACTIONAL ±		ENG APPR.		PEARL FOR FRONT MOUNT GANG LOCKING
ANGULAR: MATCH ± BEND ±		MFG APPR.		SIZE DWG. NO. REV
TWO PLACE DECIMAL ±		Q.A.		C Pearl - front mount Gang Locking
THREE PLACE DECIMAL ±		COMMENTS:		SCALE: 1:5 WEIGHT: SHEET 1 OF 2
NEXT ASSY	USED ON	FINISH		B140
APPLICATION		DO NOT SCALE DRAWING		