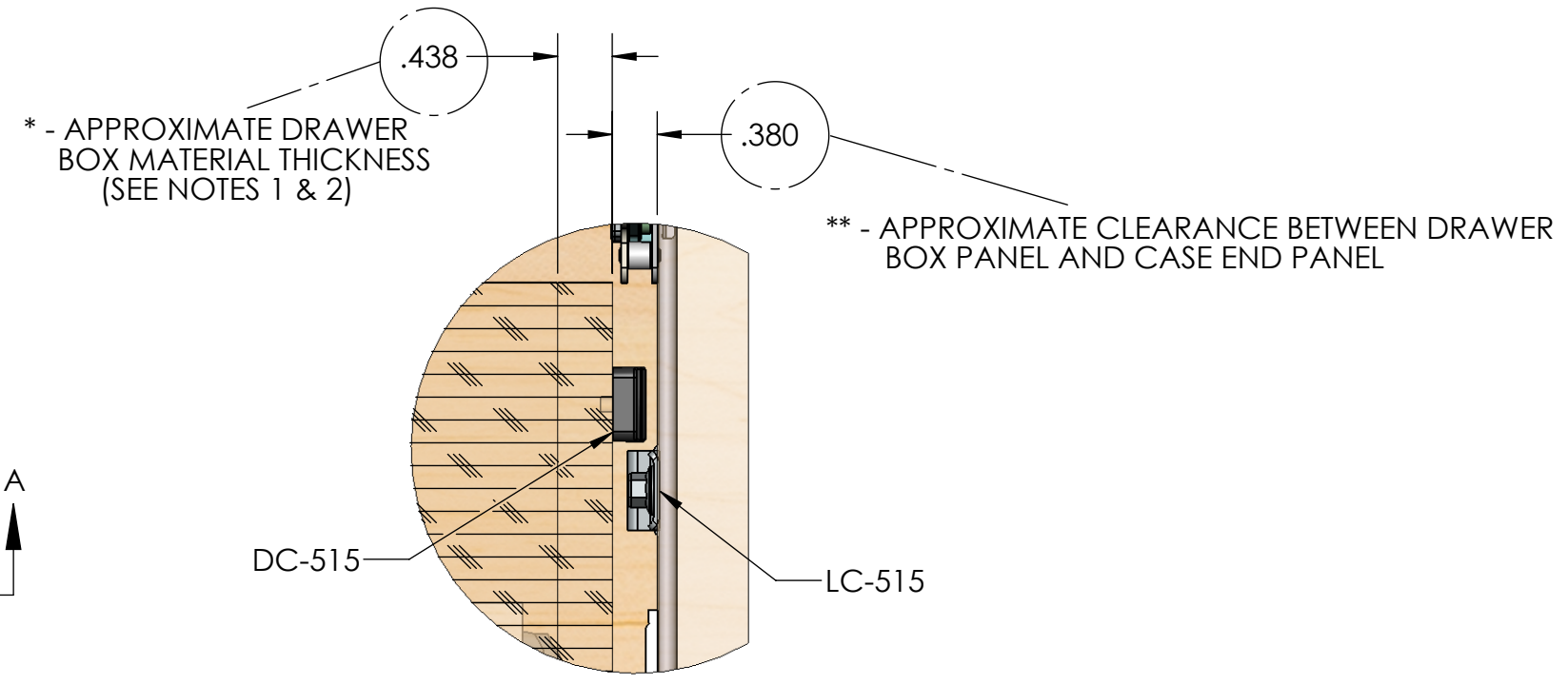
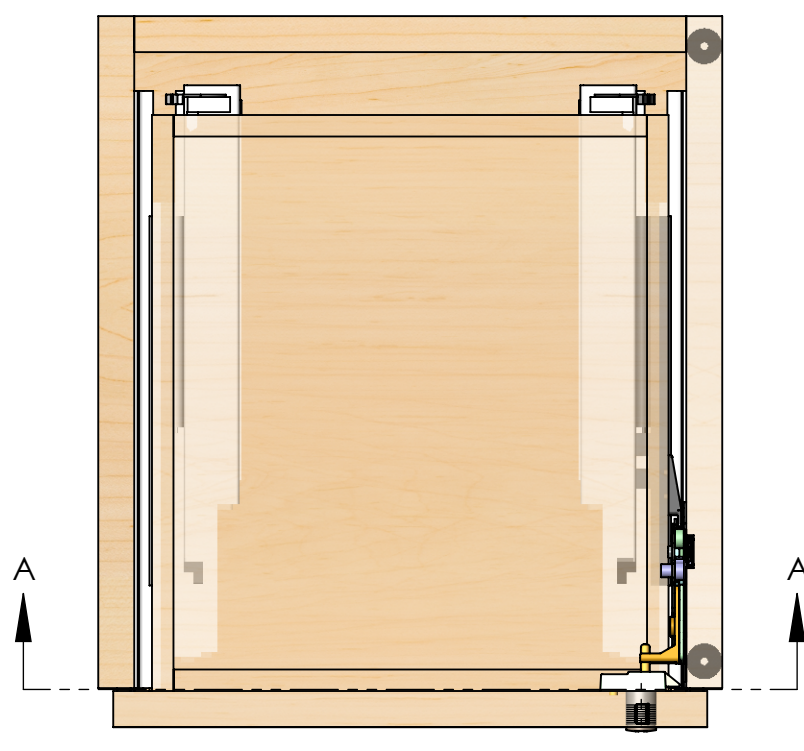


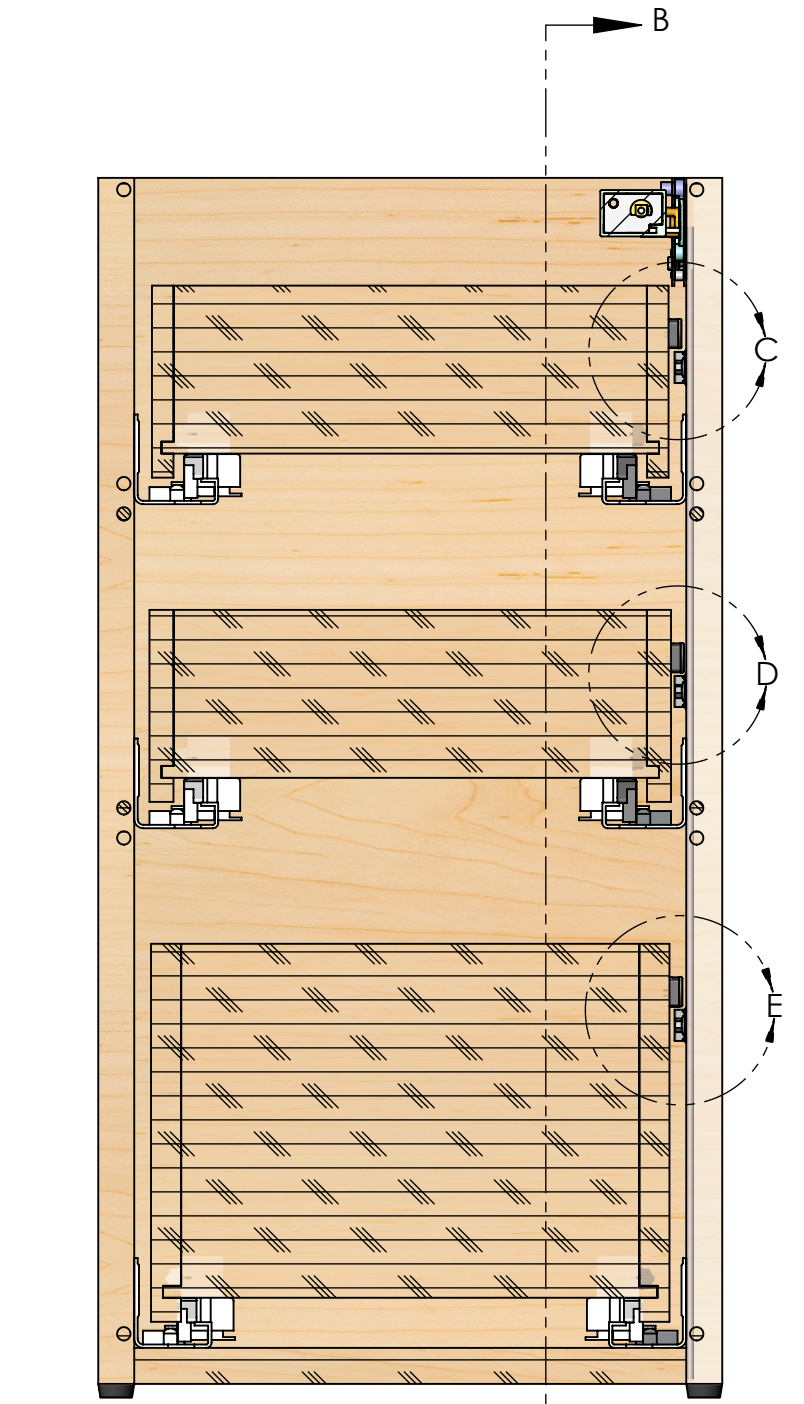
8 7 6 5 4 3 2 1

F
E
D
C
B
A

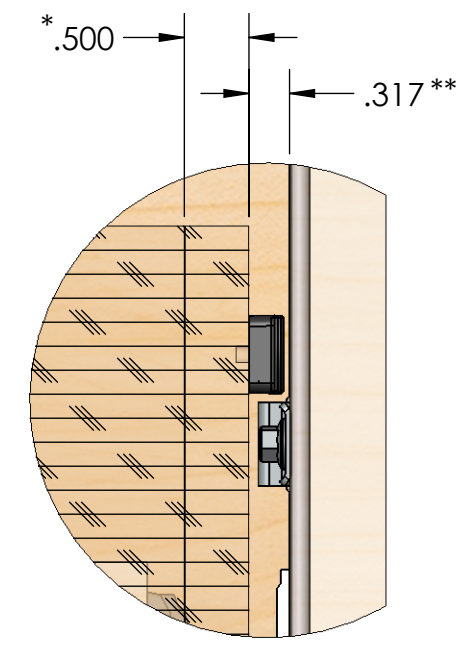
F
E
D
C
B
A



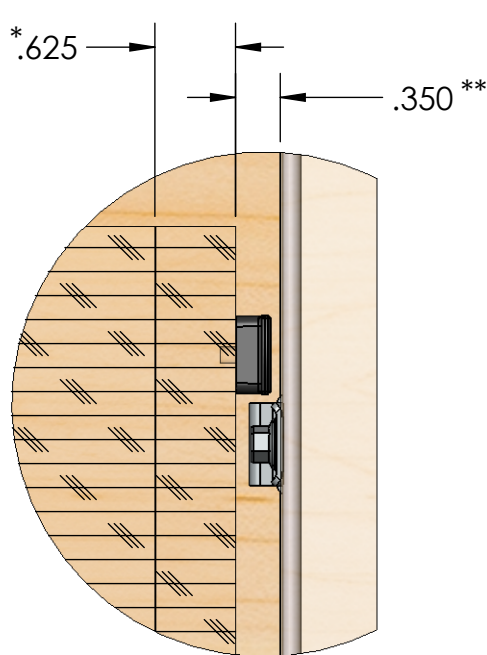
DETAIL C
SCALE 1 : 1.5



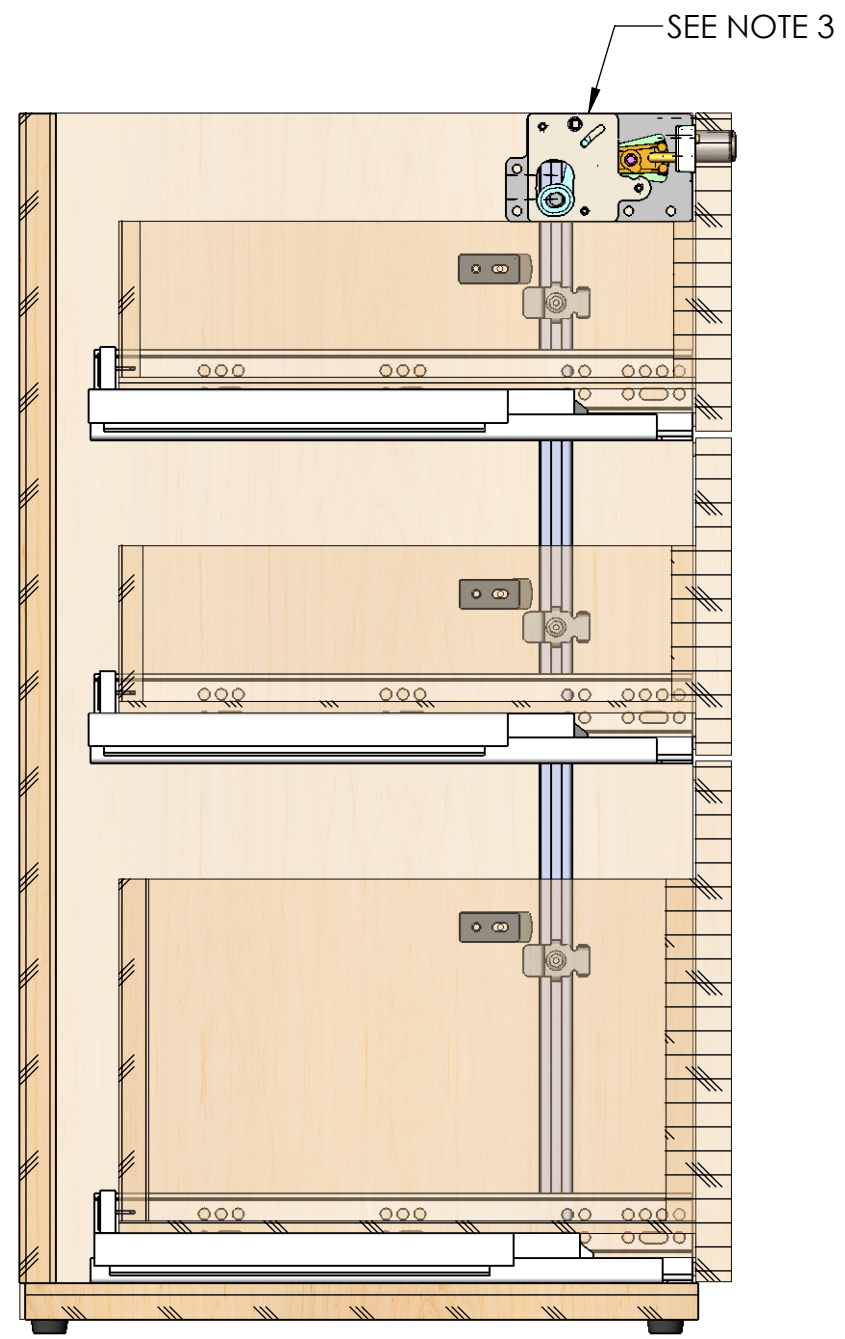
SECTION A-A
SCALE 1 : 4



DETAIL D
SCALE 1 : 1.5



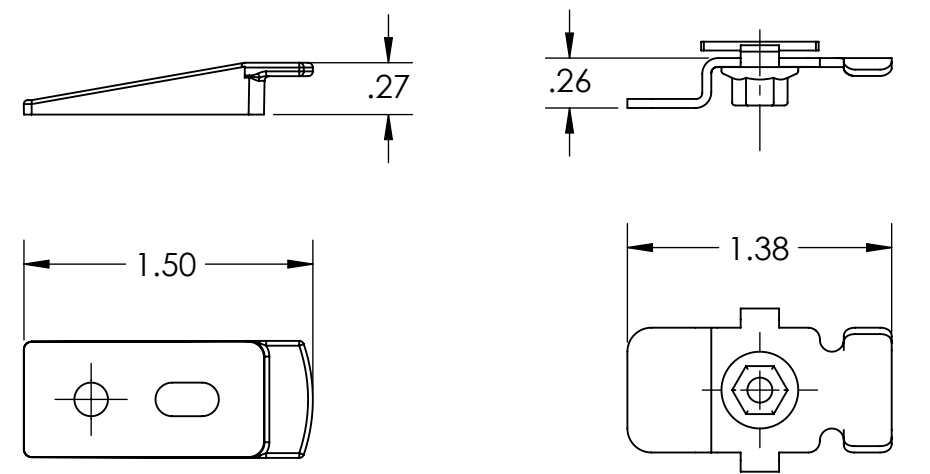
DETAIL E
SCALE 1 : 1.5



SECTION B-B
SCALE 1 : 4



ISO-VIEW
SCALE 1 : 4



DC-515

LC-515

- NOTES:
- * - .438" AND .500" DRAWER BOX MATERIAL REQUIRE SLIDES WITH INTERIOR CABINET WIDTH MINUS 41mm OR 42mm SLIDES TO ACHIEVE SIDE CLEARANCE SHOWN ABOVE.
 - * - .625" DRAWER BOX MATERIAL REQUIRE SLIDES WITH INTERIOR CABINET WIDTH MINUS 49mm OR 50mm SLIDES TO ACHIEVE CLEARANCE SHOWN ABOVE.
 - DC-515 & LC-515 CAN BE USED WITH ANY COMPX TIMBERLINE GANG OR CENTRAL LOCK SYSTEM, UTILIZING COMPX TIMBERLINE LOCKBAR.

PROPRIETARY AND CONFIDENTIAL
THE INFORMATION CONTAINED IN THIS DRAWING IS THE SOLE PROPERTY OF <INSERT COMPANY NAME HERE>. ANY REPRODUCTION IN PART OR AS A WHOLE WITHOUT THE WRITTEN PERMISSION OF <INSERT COMPANY NAME HERE> IS PROHIBITED.

		UNLESS OTHERWISE SPECIFIED:		NAME	DATE
		DIMENSIONS ARE IN INCHES		DRAWN	RM
		TOLERANCES:		ENG APPR.	01/12/15
		FRACTIONAL ±		CHECKED	
		ANGULAR: MATCH ±		ENG APPR.	
		BEND ±		MFG APPR.	
		TWO PLACE DECIMAL ±		Q.A.	
		THREE PLACE DECIMAL ±		COMMENTS:	
		INTERPRET GEOMETRIC TOLERANCING PER:			
		MATERIAL			
		FINISH			
NEXT ASSY	USED ON	APPLICATION	DO NOT SCALE DRAWING		

COMPX - TIMBERLINE		
TITLE: GANG LOCKING UNDERMOUNT SLIDES		
SIZE C	DWG. NO. TRIPLE-DRAWER_CAB-DISP_ASSY	REV
SCALE: 1:5	WEIGHT:	SHEET 1 OF 1

8 7 6 5 4 3 2 1