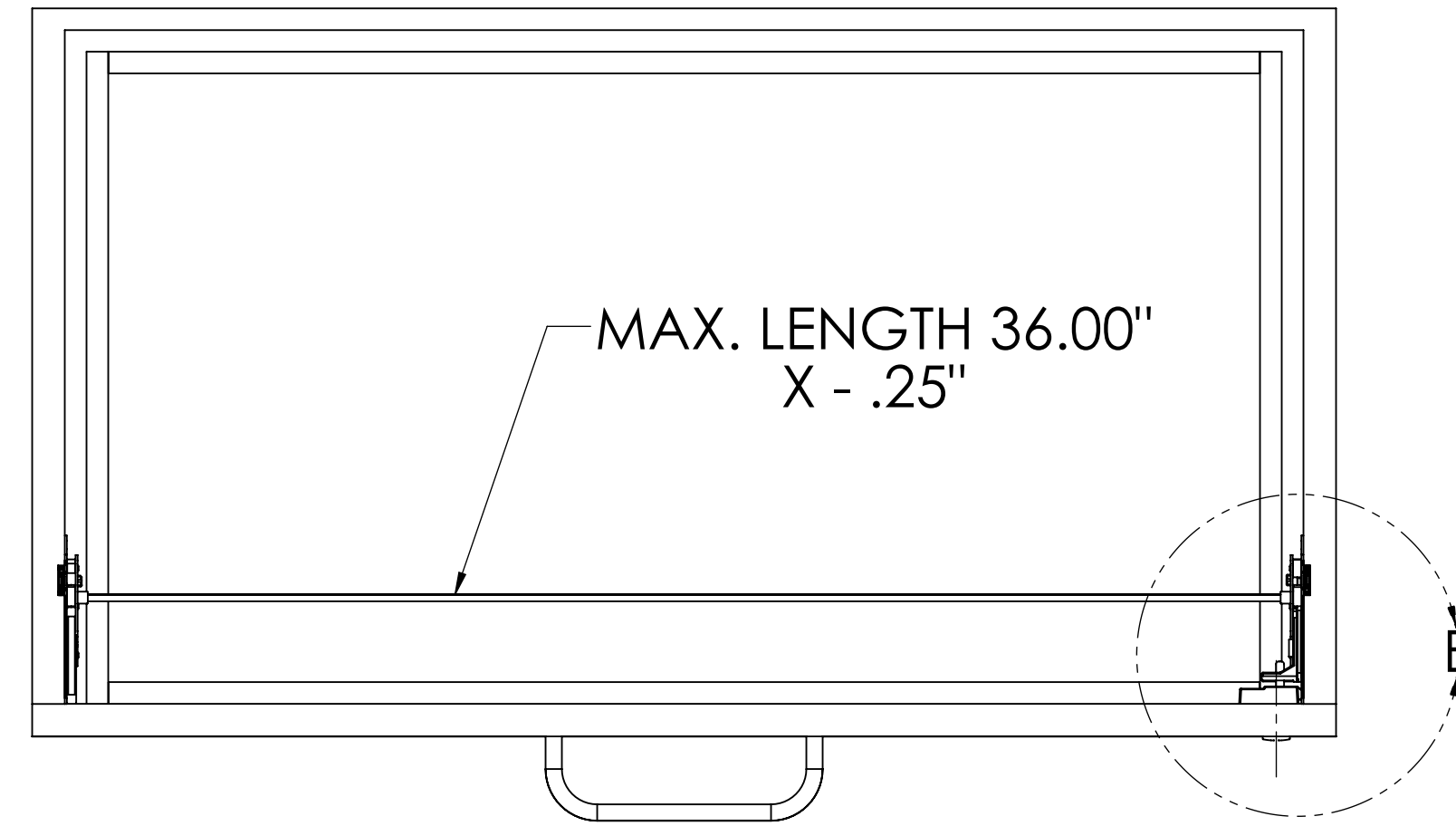


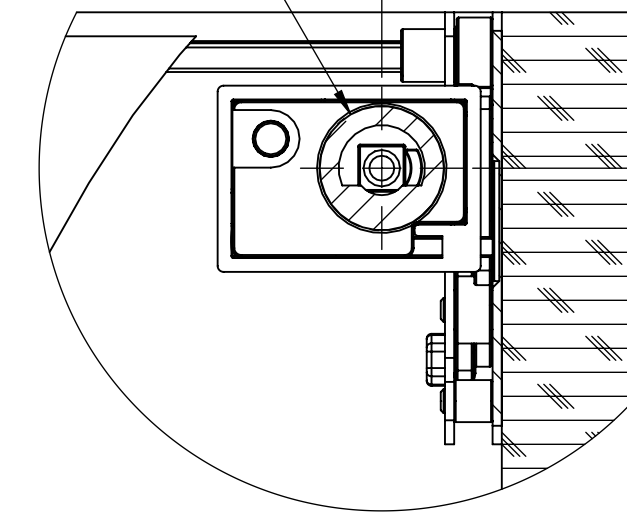
ISO-VIEW



MAX. LENGTH 36.00"  
X - .25"

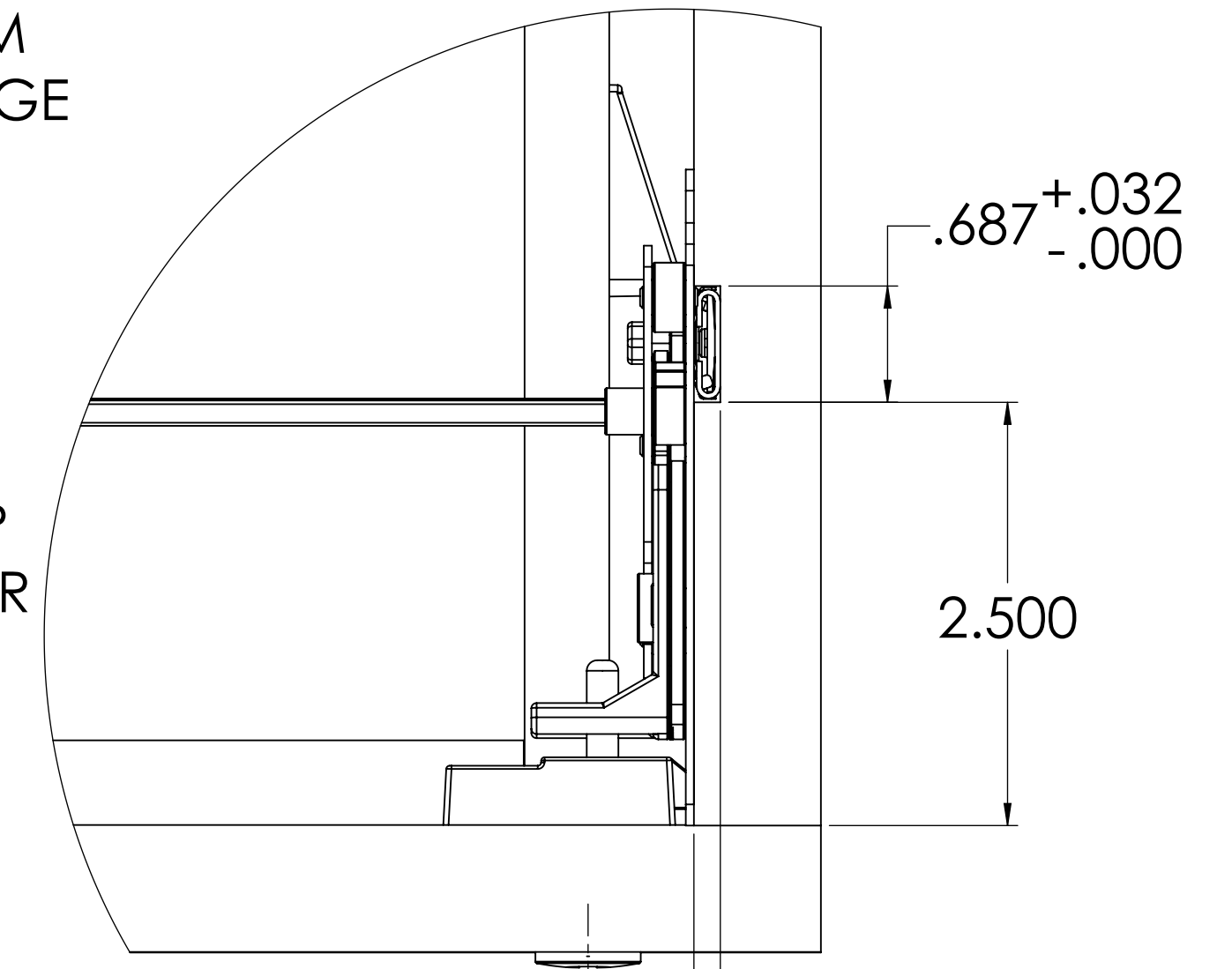
$\phi .65$   
THRU HOLE  
FOR LOCK

1.375 FROM  
DRAWER EDGE



DETAIL F

.687  
FROM TOP  
OF DRAWER

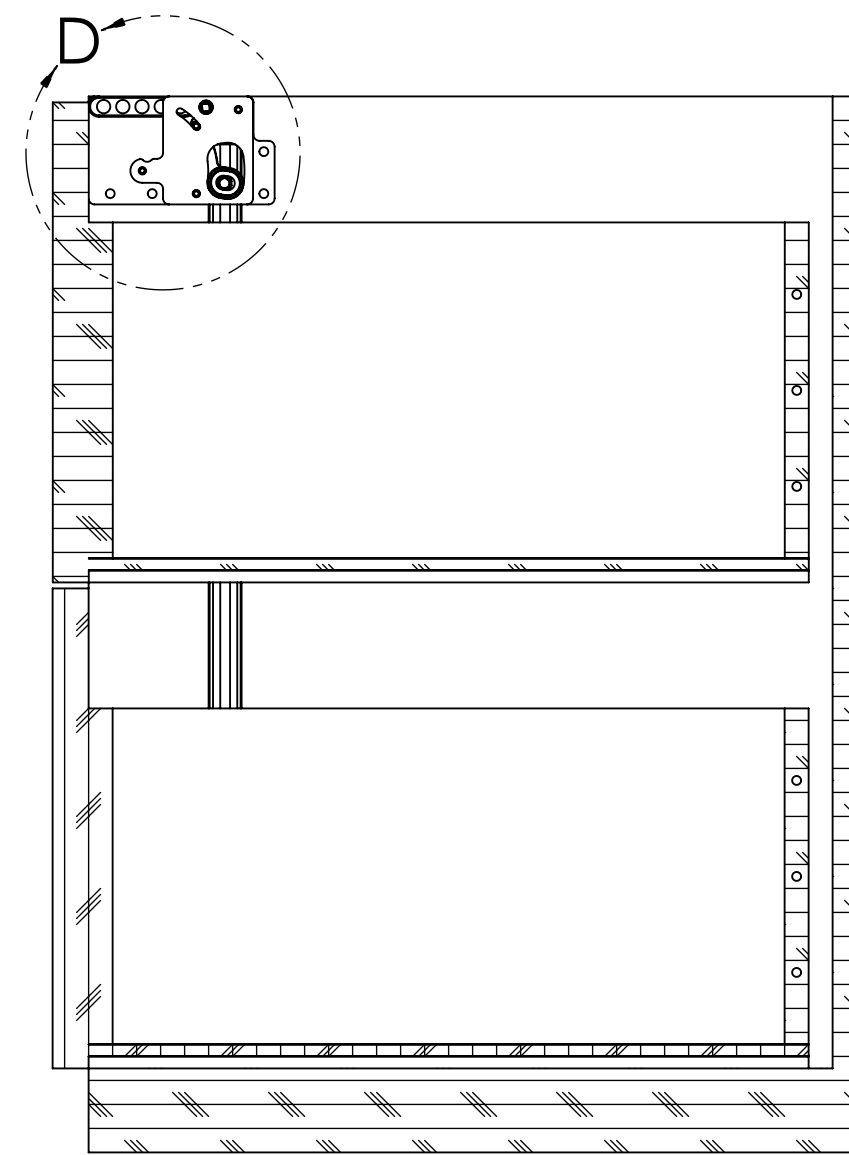


DETAIL E

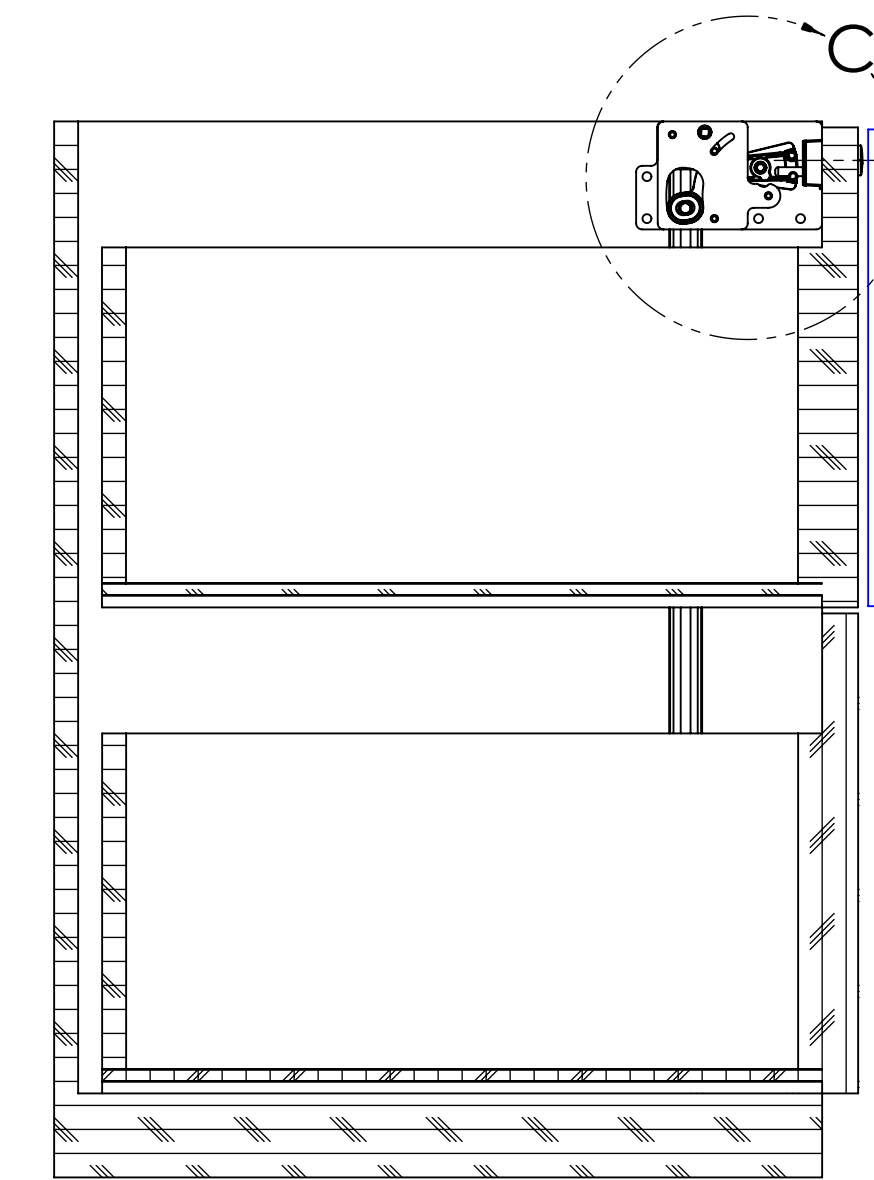
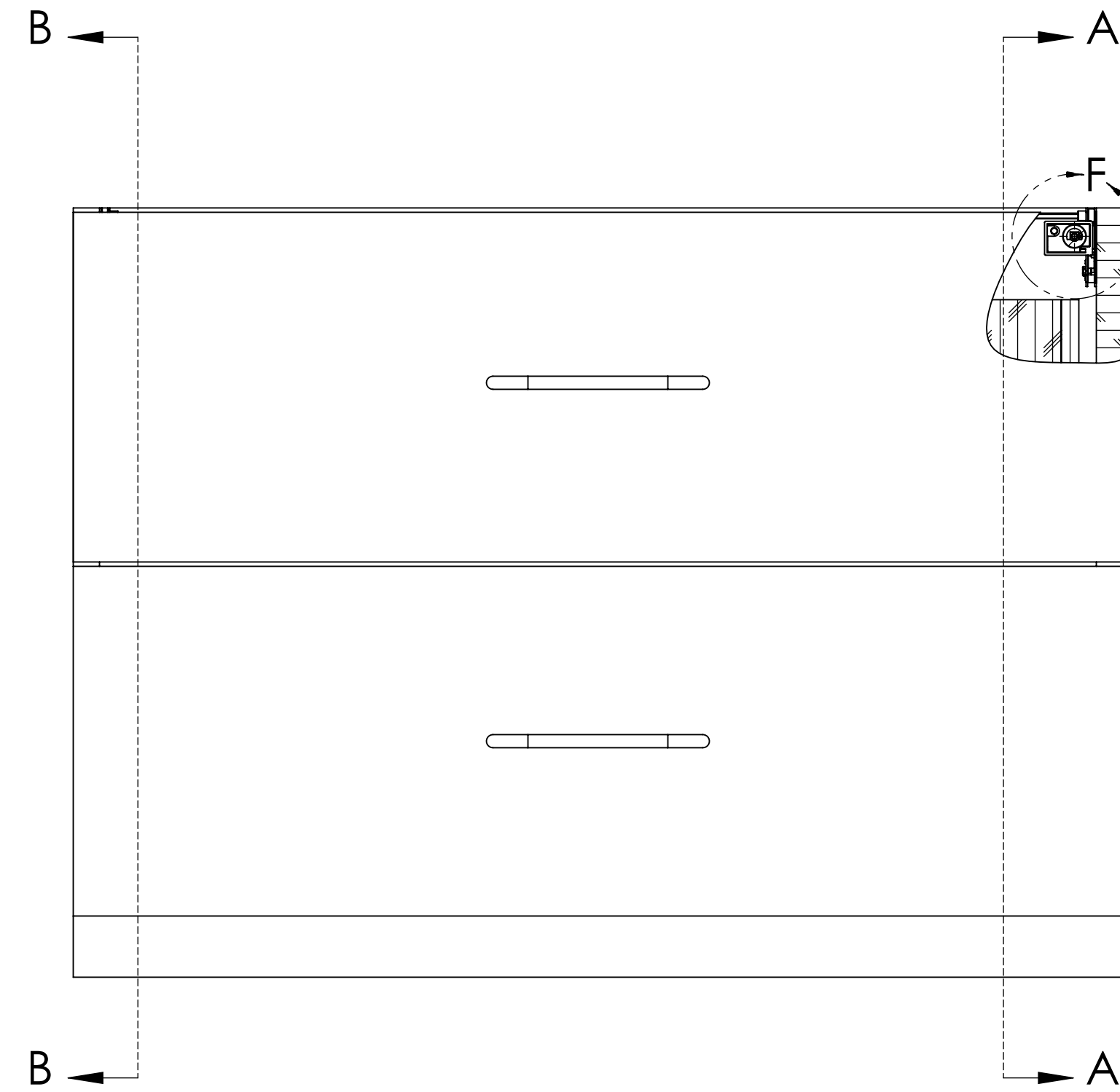
$.687^{+.032}$   
 $-.000$

2.500

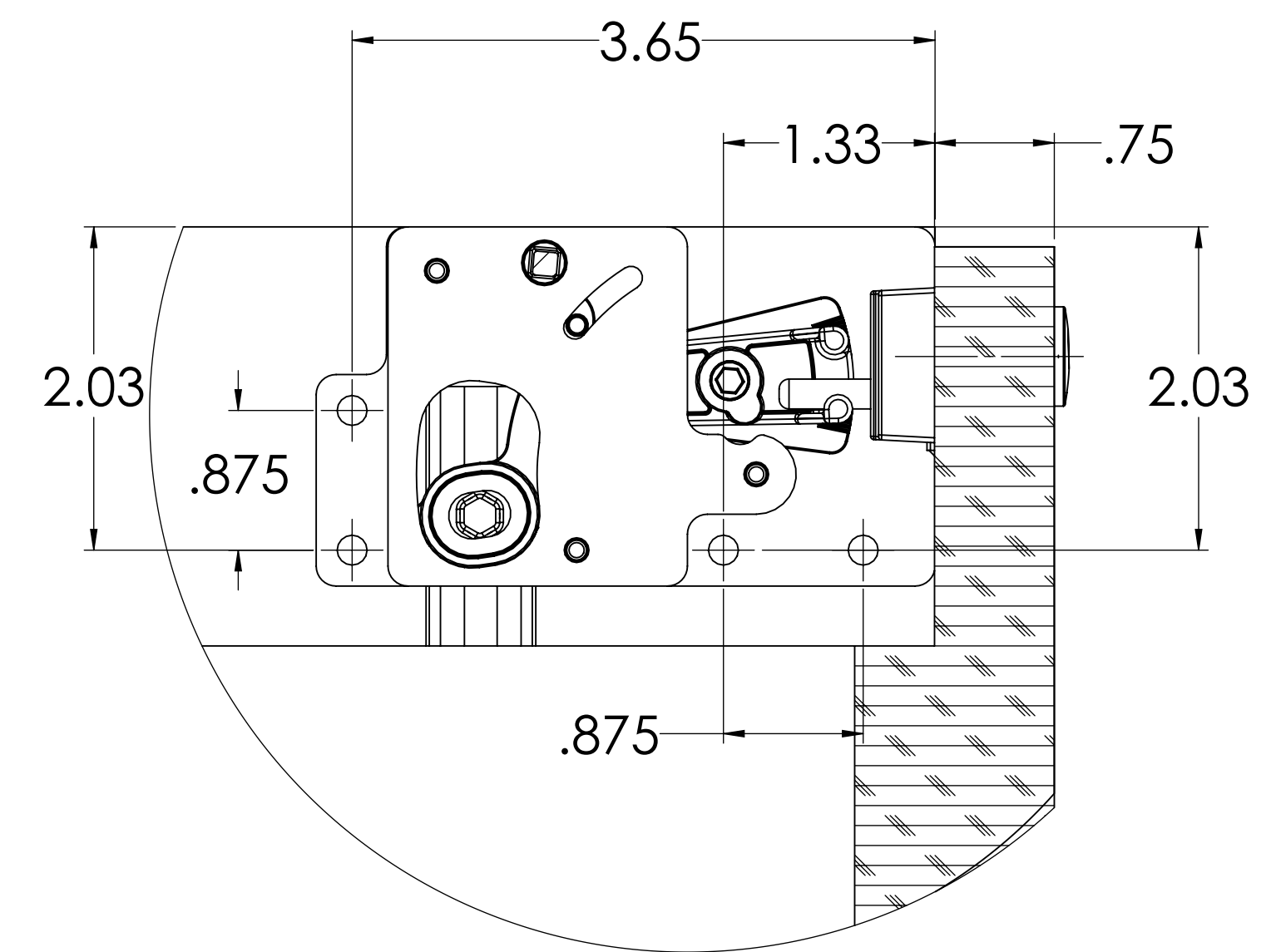
$.156^{+.032}$   
 $-.000$



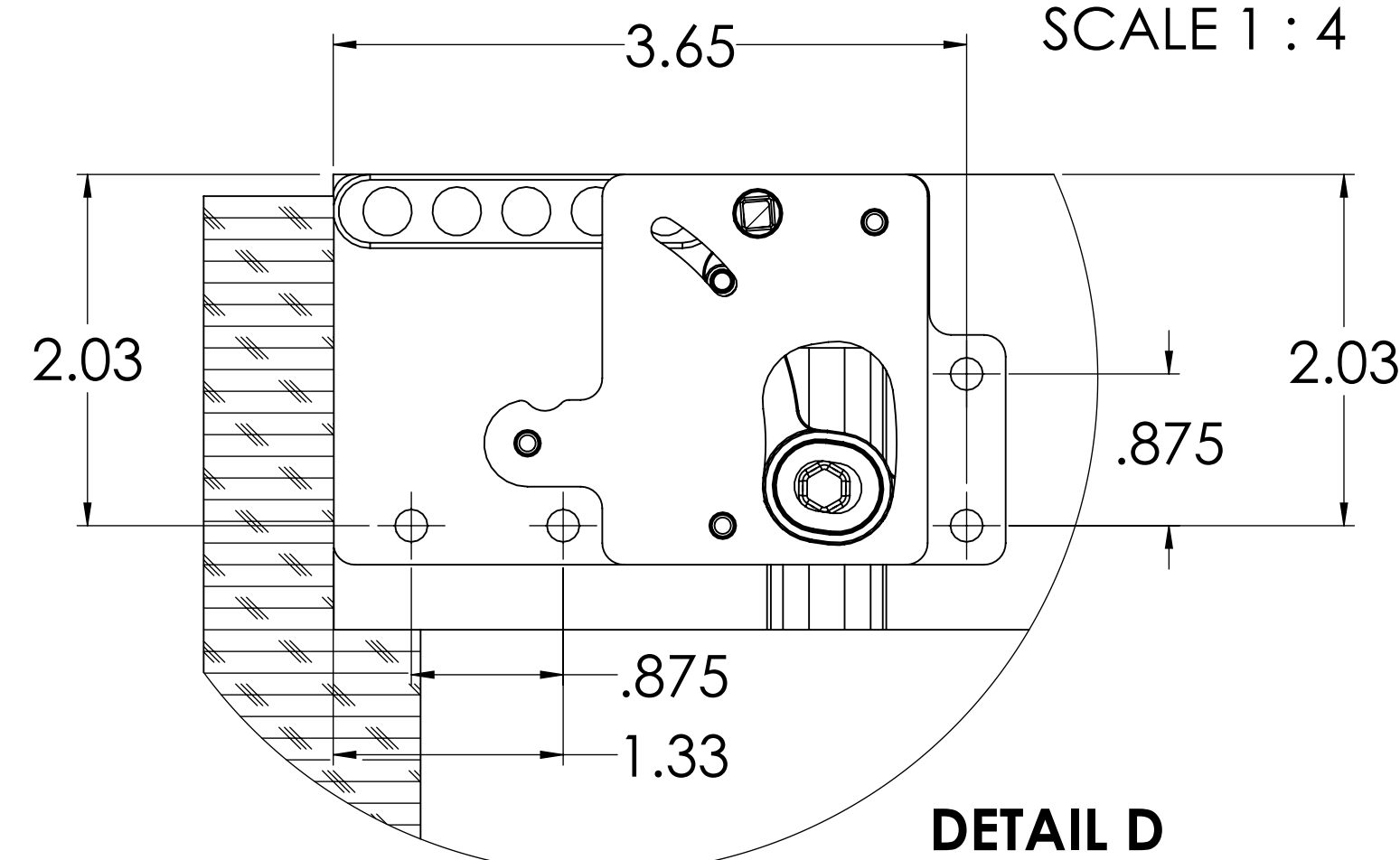
SECTION B-B  
SCALE 1 : 4



SECTION A-A  
SCALE 1 : 4



DETAIL C



DETAIL D

PROPRIETARY AND CONFIDENTIAL  
THE INFORMATION CONTAINED IN THIS  
DRAWING IS THE SOLE PROPERTY OF  
-INSERT COMPANY NAME HERE-. ANY  
REPRODUCTION IN PART OR AS A WHOLE  
WITHOUT THE WRITTEN PERMISSION OF  
-INSERT COMPANY NAME HERE- IS  
PROHIBITED.

UNLESS OTHERWISE SPECIFIED:		NAME	DATE	TITLE:
DIMENSIONS ARE IN INCHES	FRACTIONAL ±	DRAWN	RM	
TOLERANCES:	ANGULAR MATCH ±	CHECKED		FRONT MOUNT GANG LOCK, SYSTEM -120
FRACTIONAL ±	BEND ±	ENG APPR:		
TWO PLACE DECIMAL ±	THREE PLACE DECIMAL ±	MFG APPR:		
INTERPRET GEOMETRIC TOLERANCING PER:	MATERIAL:	Q.A.		SIZE DWG. NO. D SYSTEM-120_DBL-SIDED_ASSY REV
MAPLE	FINISH	COMMENTS:		
NONE	APPLICATION			SCALE: NONE WEIGHT: SHEET 1 OF 1