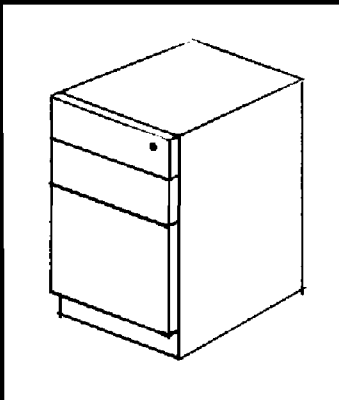


NOTE: LOCKBAR MUST BE RESTRAINED FROM DROPPING WHEN DRAWER WITH LOCK IS PULLED OUT. A SMALL SCREW OR A DRAWER LOCKING CLIP AT THE BOTTOM END OF LOCKBAR MAY BE USED.



FRONT GANG LOCK LOCKBAR 2 1/2" BACK IN CASE

Scale 1:1
Lock shown in LOCKED POSITION.
Materials 3/4" unless otherwise shown.
Actual dimensions may vary due to construction details.

1-800-LOCKBAR/www.tlock.us
715 Center St., Grayslake, IL 60030
Copyright 2007 © CompX Security Products

