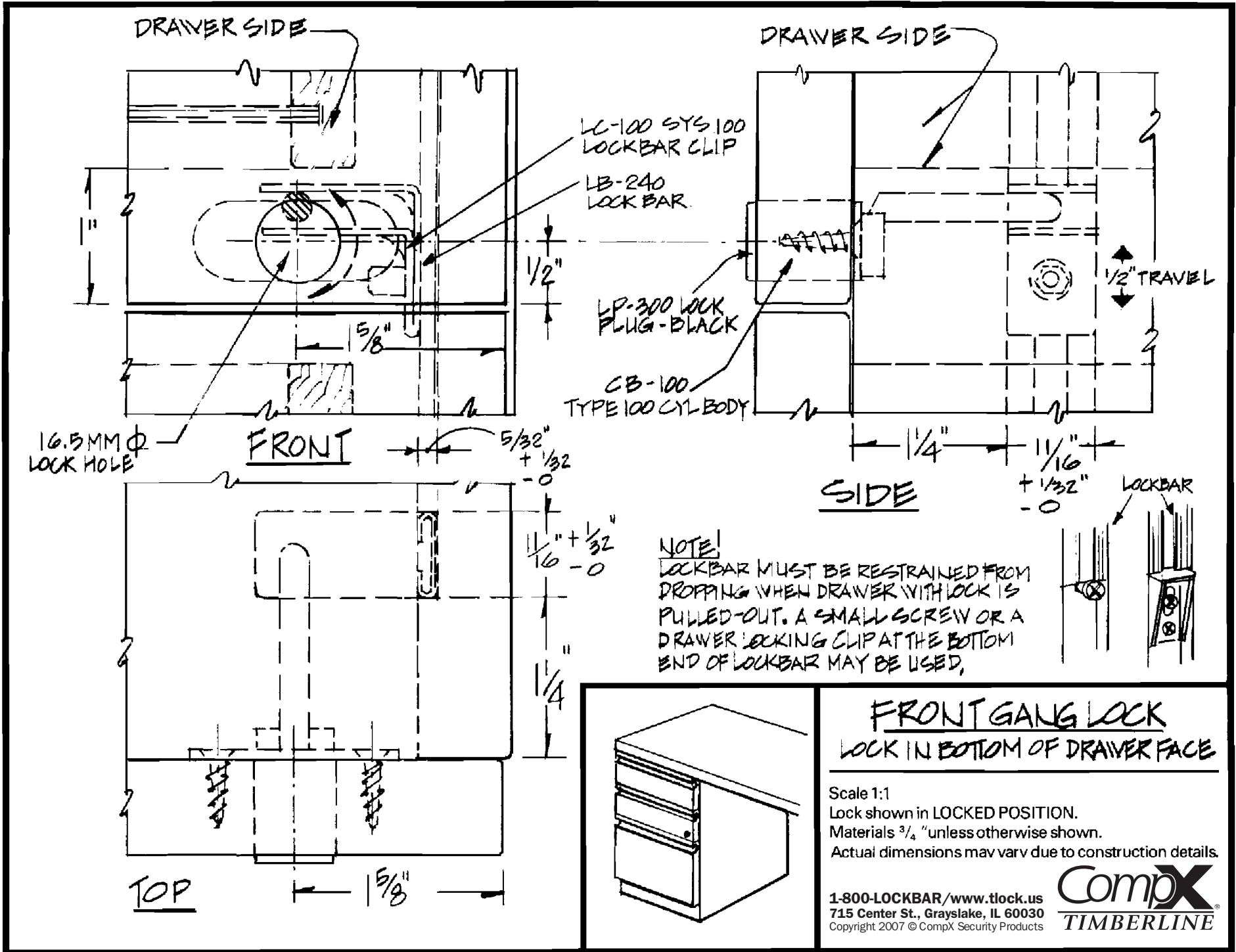


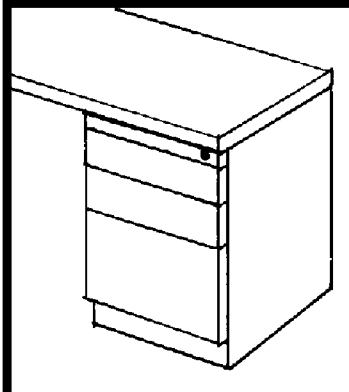
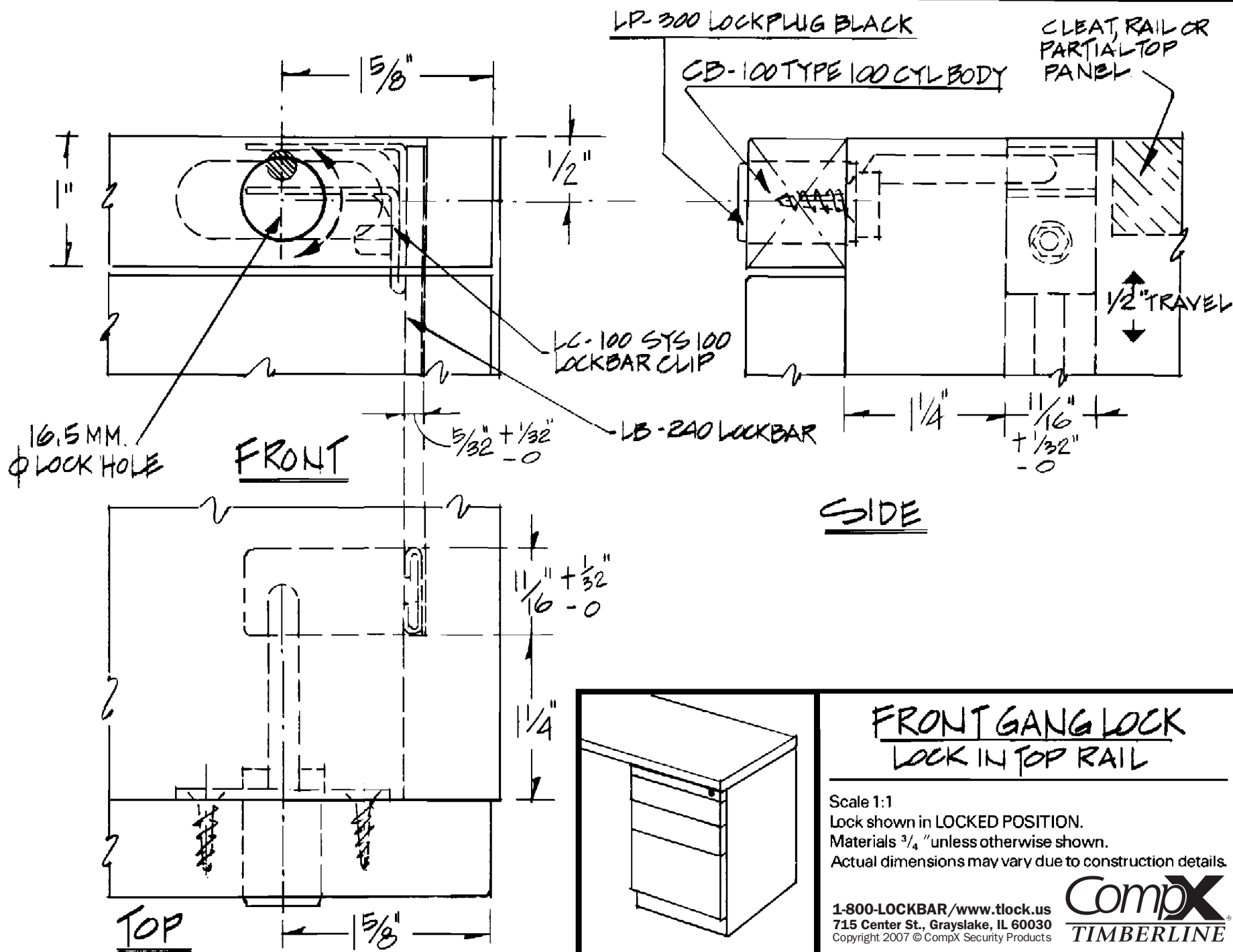
FRONT GANG LOCK
 LOCK IN TOP OF DRAWER FACE

Scale 1:1
 Lock shown in LOCKED POSITION.
 Materials 3/4" unless otherwise shown.
 Actual dimensions may vary due to construction details.

1-800-LOCKBAR/www.tlock.us
 715 Center St., Grayslake, IL 60030
 Copyright 2007 © CompX Security Products

CompX
 TIMBERLINE



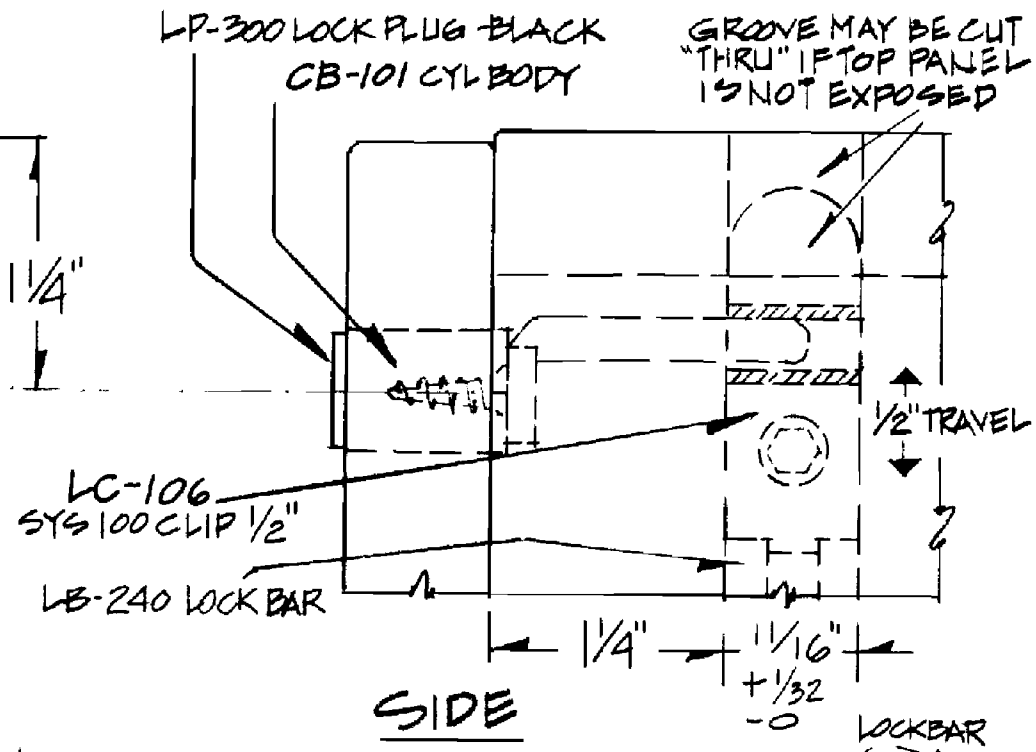
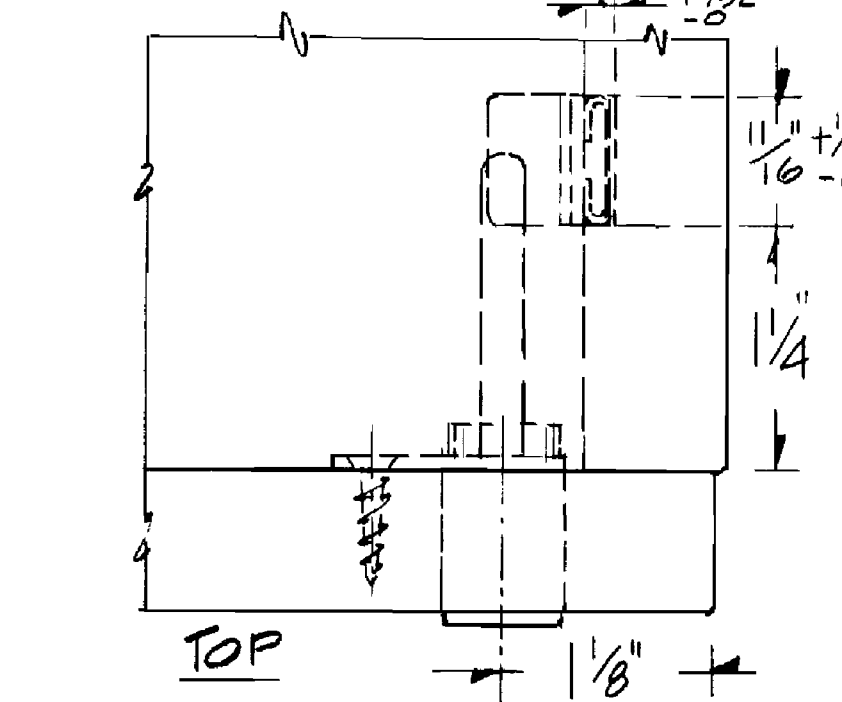
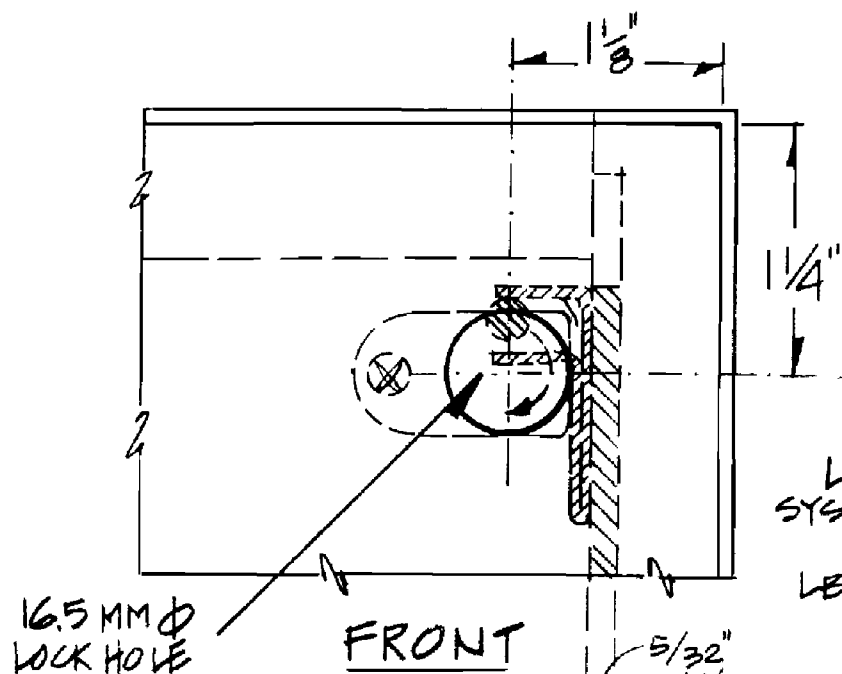


**FRONT GANG LOCK
LOCK IN TOP RAIL**

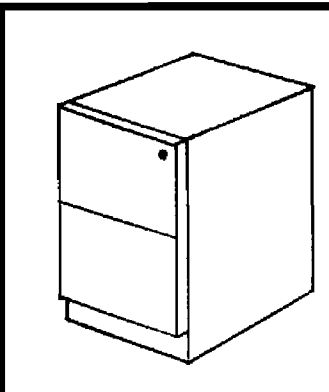
Scale 1:1
 Lock shown in LOCKED POSITION.
 Materials 3/4" unless otherwise shown.
 Actual dimensions may vary due to construction details.

1-800-LOCKBAR/www.tlock.us
 715 Center St., Grayslake, IL 60030
 Copyright 2007 © CompX Security Products





NOTE:
LOCKBAR MUST BE RESTRAINED FROM
DROPPING WHEN DRAWER WITH LOCK IS
PULLED OUT. A SMALL SCREW OR A
DRAWER LOCKING CLIP AT THE BOTTOM
END OF LOCKBAR MAY BE USED.

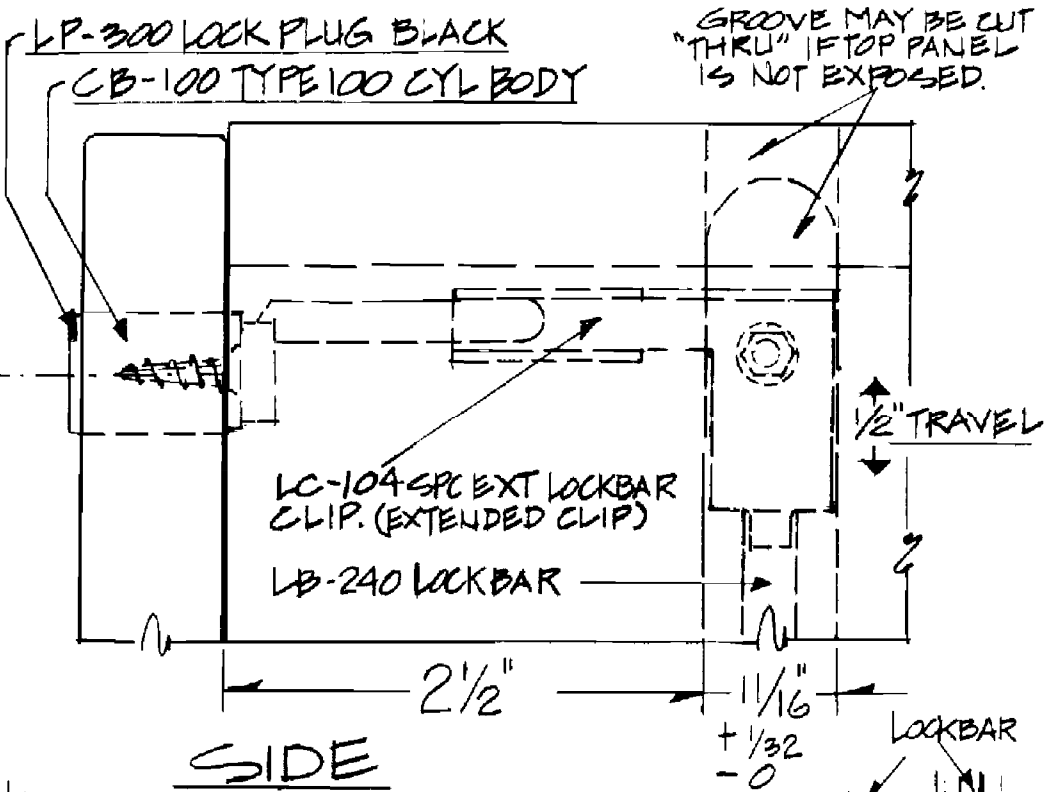
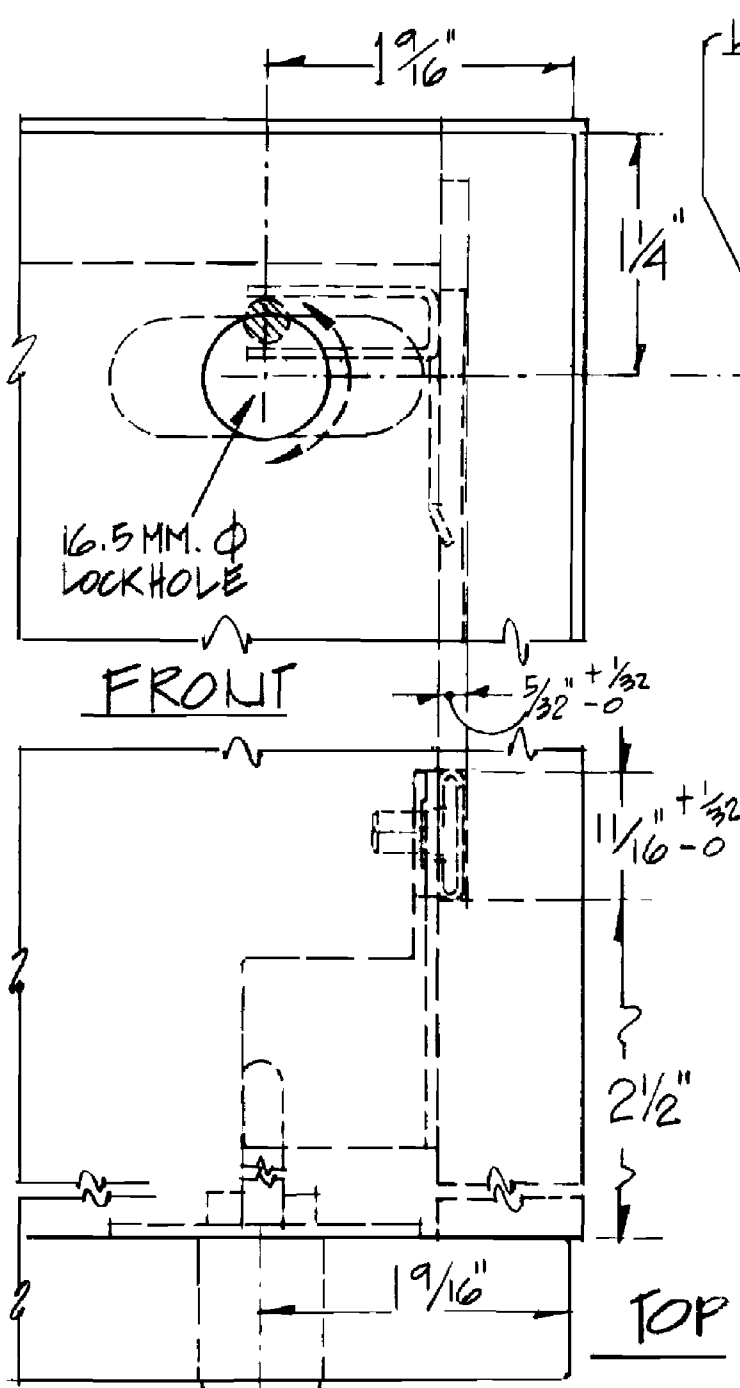


FRONT GANG LOCK
LOCK POSITIONED TO MINIMIZE
INTERFERENCE

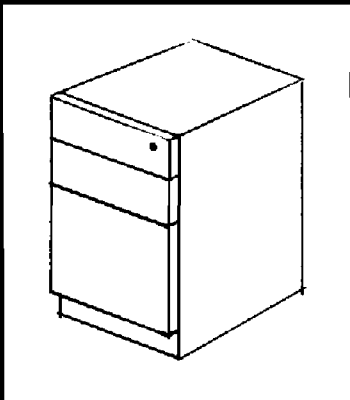
Scale 1:1
Lock shown in LOCKED POSITION.
Materials $3/4"$ unless otherwise shown.
Actual dimensions may vary due to construction details.

1-800-LOCKBAR/www.tlock.us
715 Center St., Grayslake, IL 60030
Copyright 2007 © CompX Security Products





NOTE: LOCKBAR MUST BE RESTRAINED FROM DROPPING WHEN DRAWER WITH LOCK IS PULLED OUT. A SMALL SCREW OR A DRAWER LOCKING CLIP AT THE BOTTOM END OF LOCKBAR MAY BE USED.

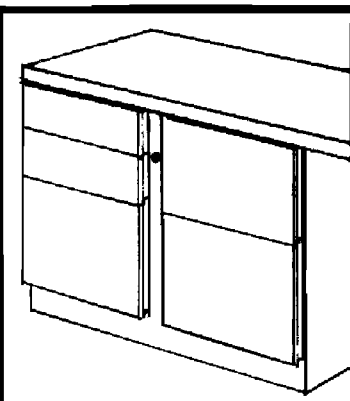
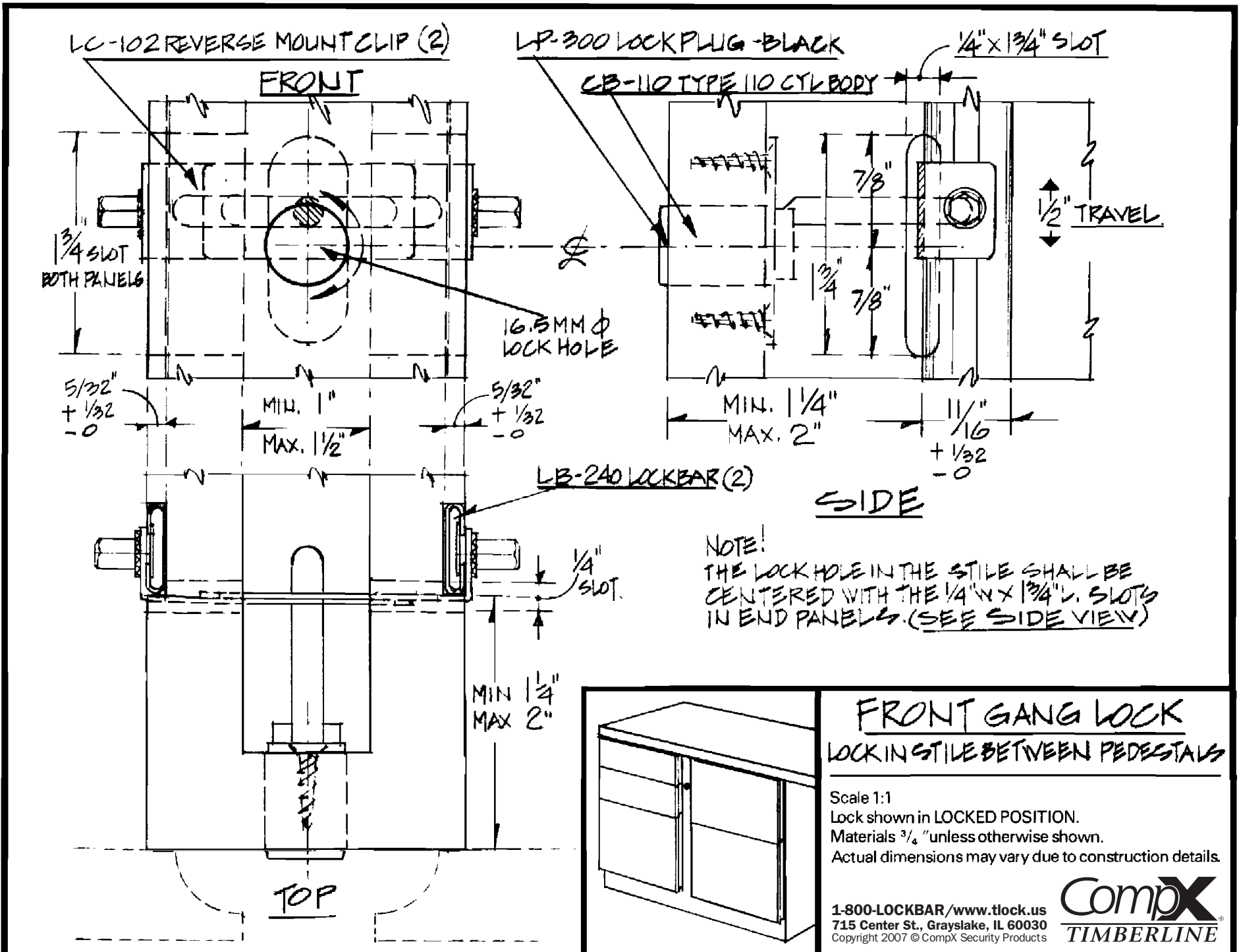


FRONT GANG LOCK LOCKBAR 2 1/2" BACK IN CASE

Scale 1:1
Lock shown in LOCKED POSITION.
Materials 3/4" unless otherwise shown.
Actual dimensions may vary due to construction details.

1-800-LOCKBAR/www.tlock.us
715 Center St., Grayslake, IL 60030
Copyright 2007 © CompX Security Products



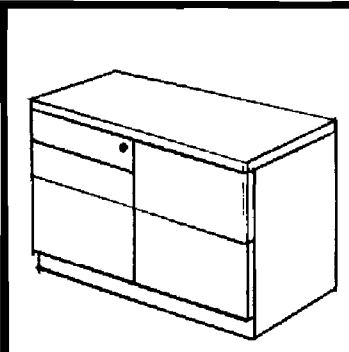
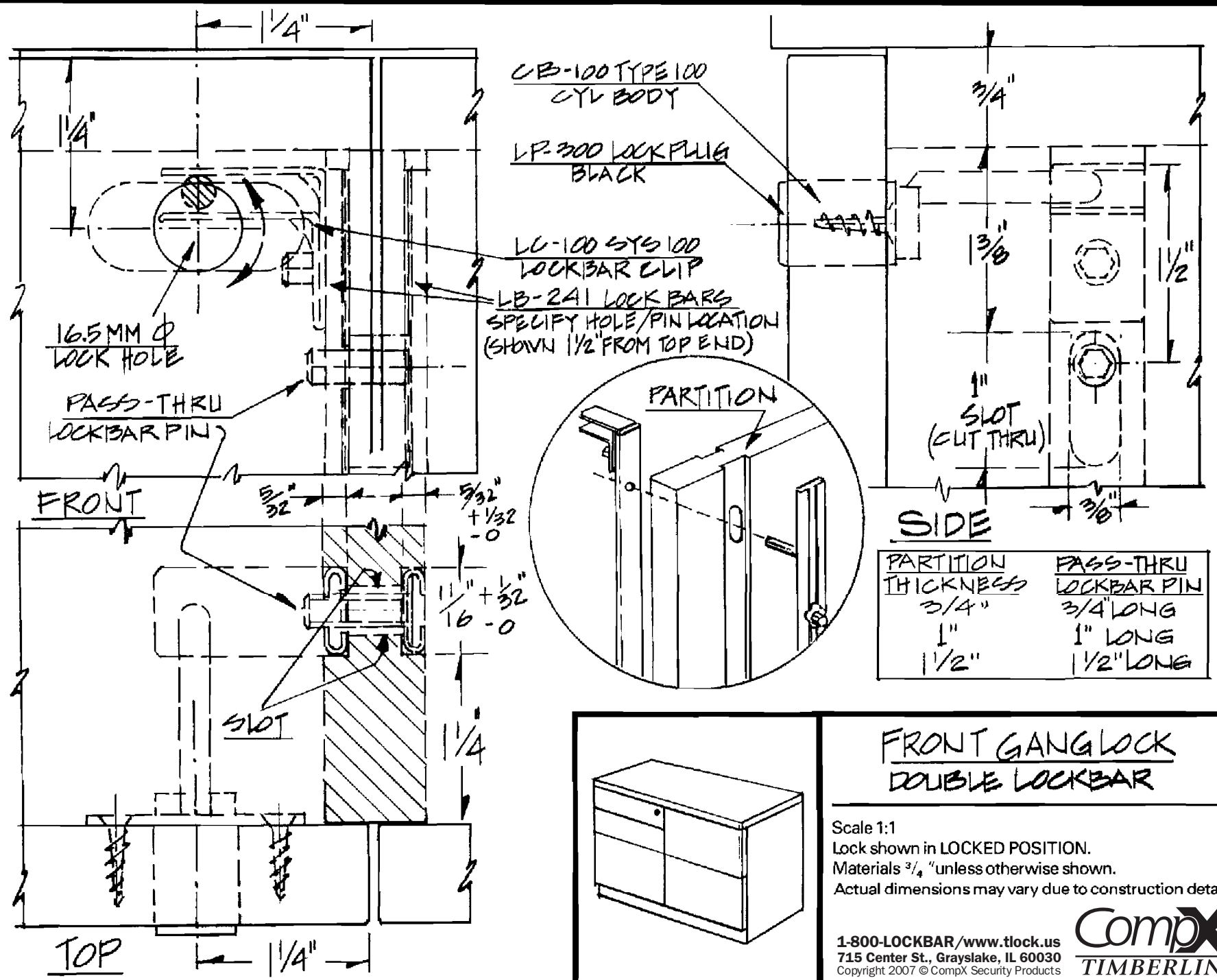


FRONT GANG LOCK
LOCK IN STILE BETWEEN PEDESTALS

Scale 1:1
 Lock shown in LOCKED POSITION.
 Materials 3/4" unless otherwise shown.
 Actual dimensions may vary due to construction details.

1-800-LOCKBAR/www.tlock.us
 715 Center St., Grayslake, IL 60030
 Copyright 2007 © CompX Security Products



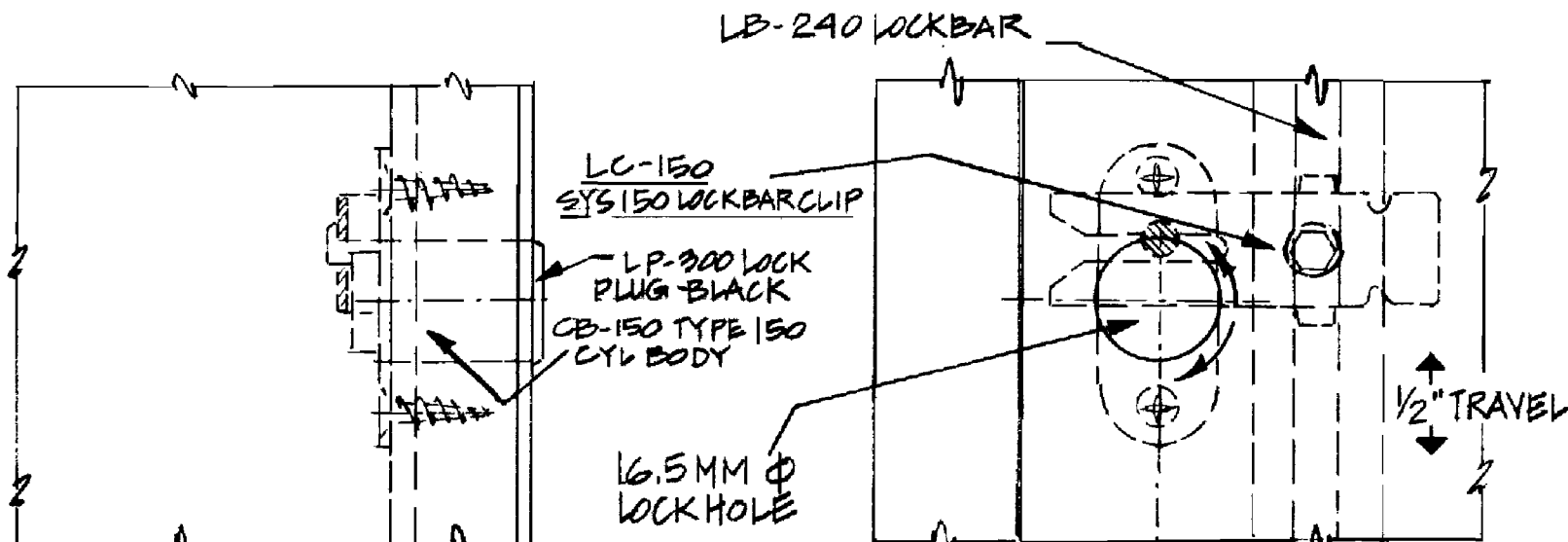


FRONT GANGLOCK DOUBLE LOCKBAR

Scale 1:1
 Lock shown in LOCKED POSITION.
 Materials 3/4" unless otherwise shown.
 Actual dimensions may vary due to construction details.

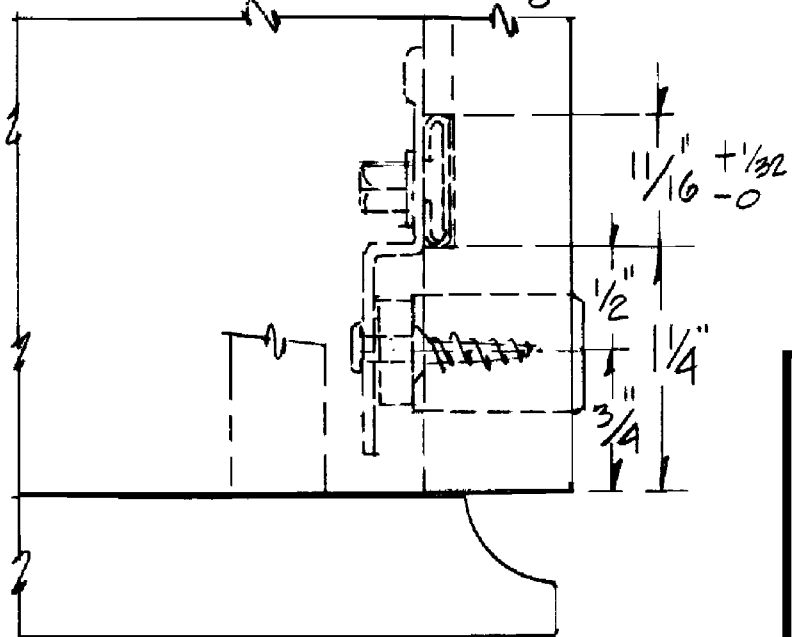
1-800-LOCKBAR/www.tlock.us
 715 Center St., Grayslake, IL 60030
 Copyright 2007 © CompX Security Products



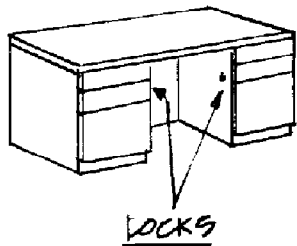


FRONT

SIDE



TOP

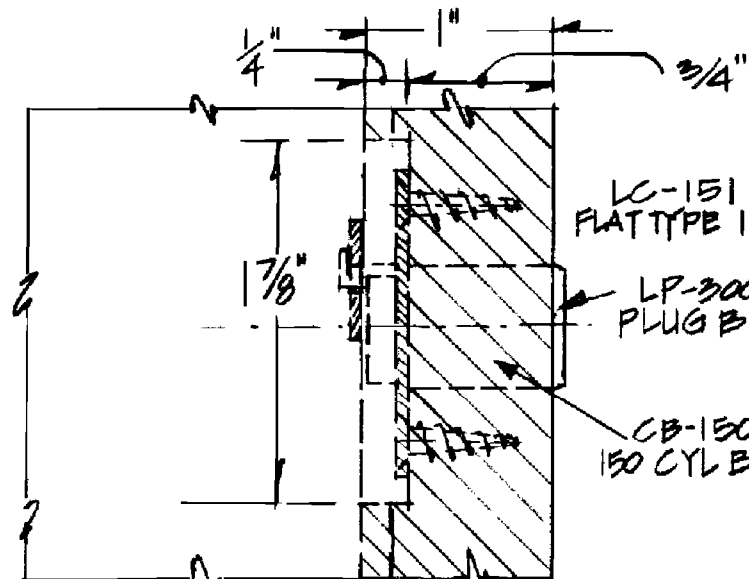


SIDE GANG LOCK
LOCK IN KNEE SPACE PANELS

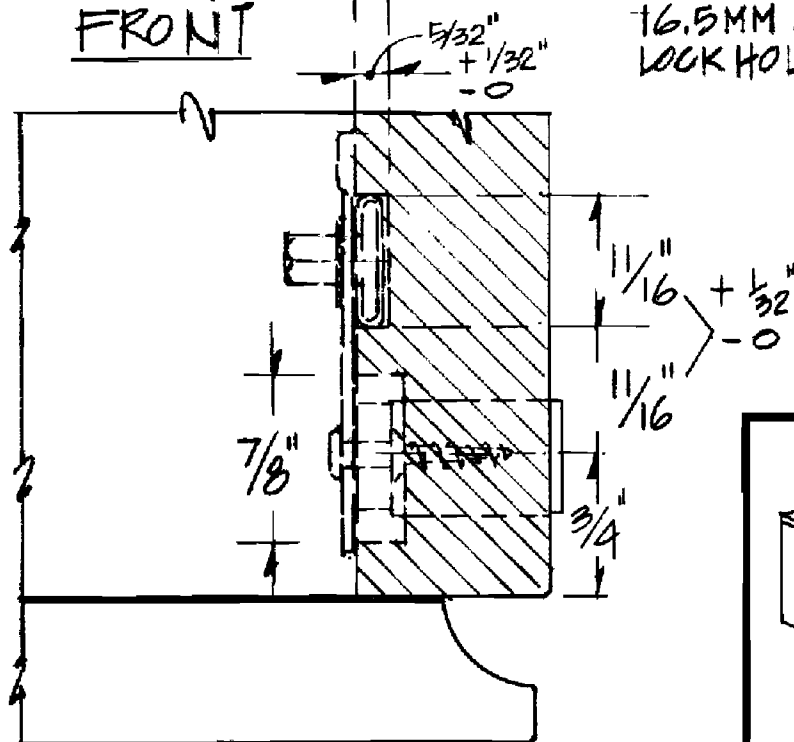
Scale 1:1
Lock shown in LOCKED POSITION.
Materials 3/4" unless otherwise shown.
Actual dimensions may vary due to construction details.

1-800-LOCKBAR/www.tlock.us
715 Center St., Grayslake, IL 60030
Copyright 2007 © CompX Security Products

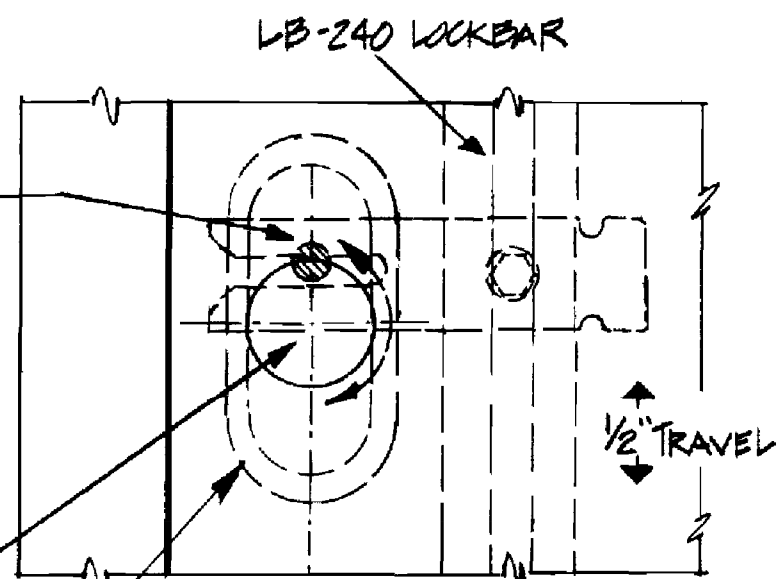




FRONT

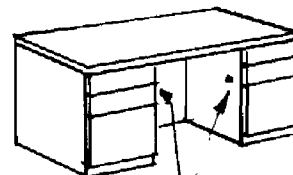


TOP



SIDE

LOCK POCKET
 ROUT-CUT $\frac{7}{8}$ " L x $\frac{7}{8}$ " W. x $\frac{1}{4}$ " $\pm \frac{1}{32}$ " D.



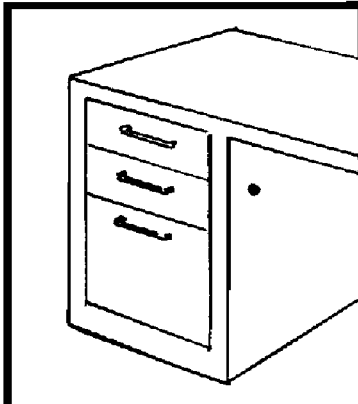
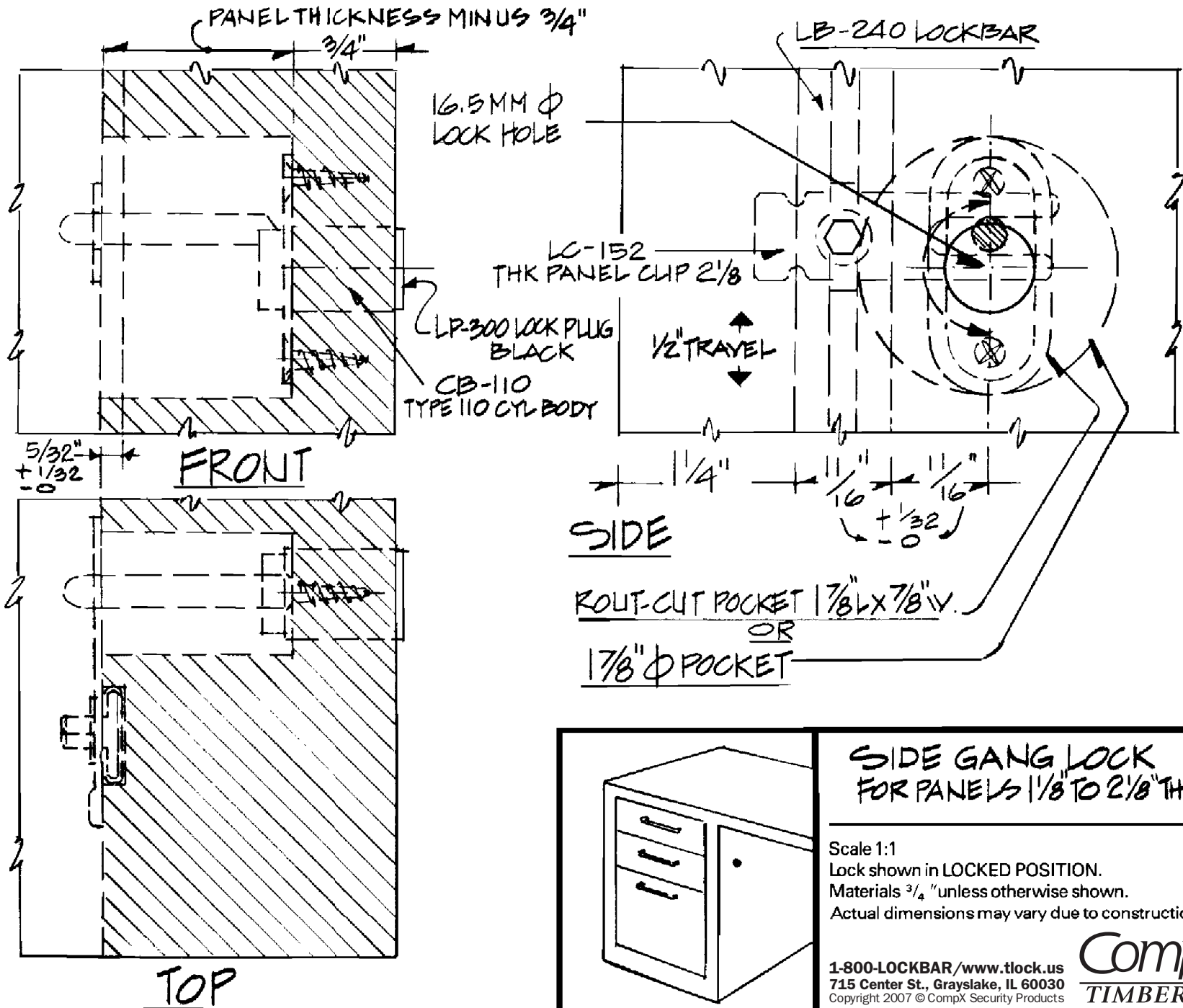
LOCKS

SIDE GANG LOCK LOCK MOUNTED IN 1" THICK PANEL

Scale 1:1
 Lock shown in LOCKED POSITION.
 Materials $\frac{3}{4}$ " unless otherwise shown.
 Actual dimensions may vary due to construction details.

1-800-LOCKBAR/www.tlock.us
 715 Center St., Grayslake, IL 60030
 Copyright 2007 © CompX Security Products

CompX
 TIMBERLINE

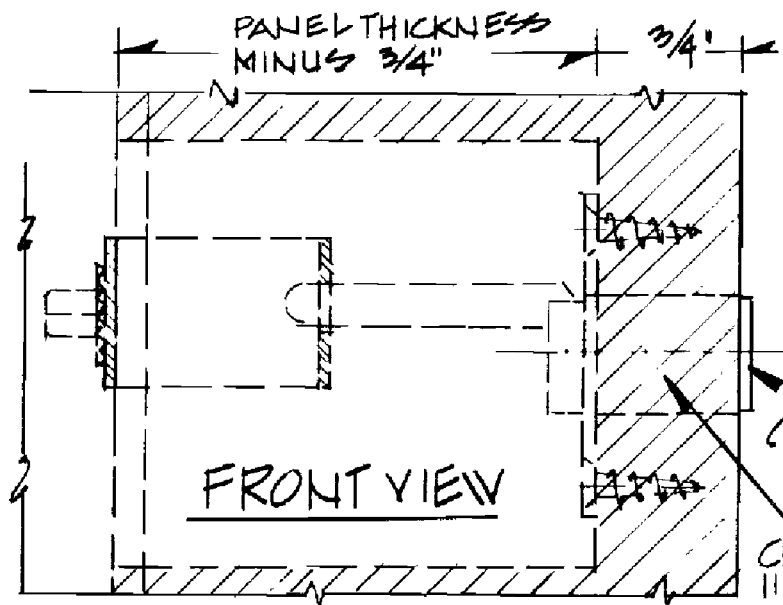


SIDE GANG LOCK FOR PANELS 1/8" TO 2 1/8" THICK

Scale 1:1
 Lock shown in LOCKED POSITION.
 Materials 3/4" unless otherwise shown.
 Actual dimensions may vary due to construction details.

1-800-LOCKBAR/www.tlock.us
 715 Center St., Grayslake, IL 60030
 Copyright 2007 © CompX Security Products





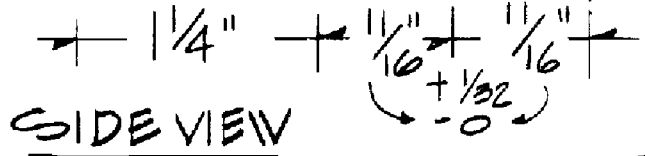
CB-110 TYPE
110 CYL BODY

LB-240 LOCK BAR

LC-101
THK PANEL CLIP 3/4"

1/2" TRAVEL

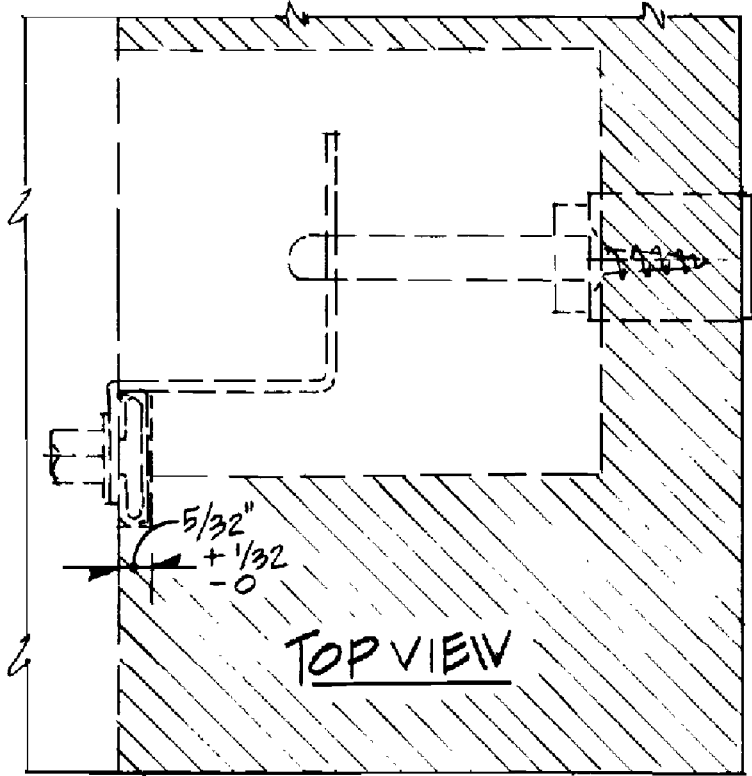
LP-300 LOCK
PLUG BLACK



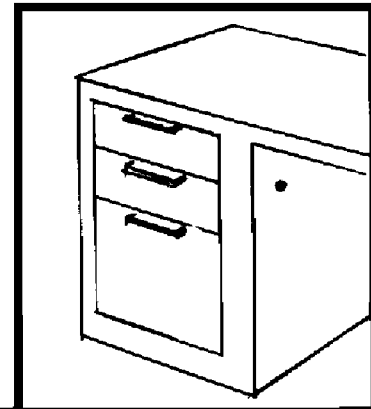
SIDE VIEW

16.5 MM. ϕ LOCK HOLE

ROUND LOCK POCKET 2 1/4" ϕ



TOP VIEW

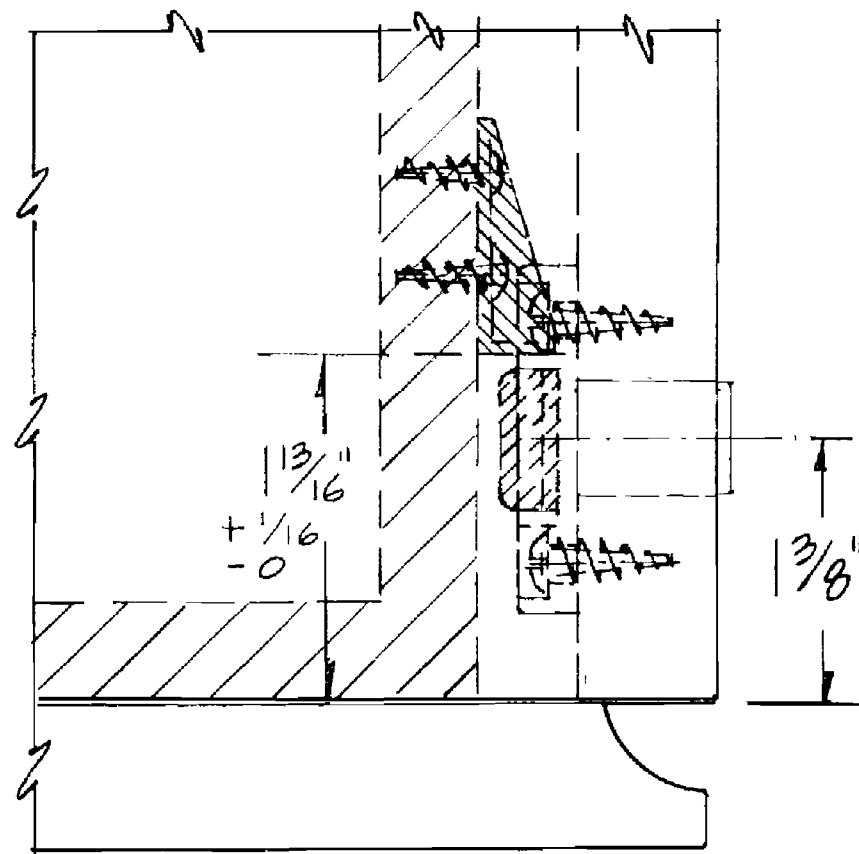


SIDE GANG LOCK FOR PANELS 2 1/8" TO 3 1/4" THICK

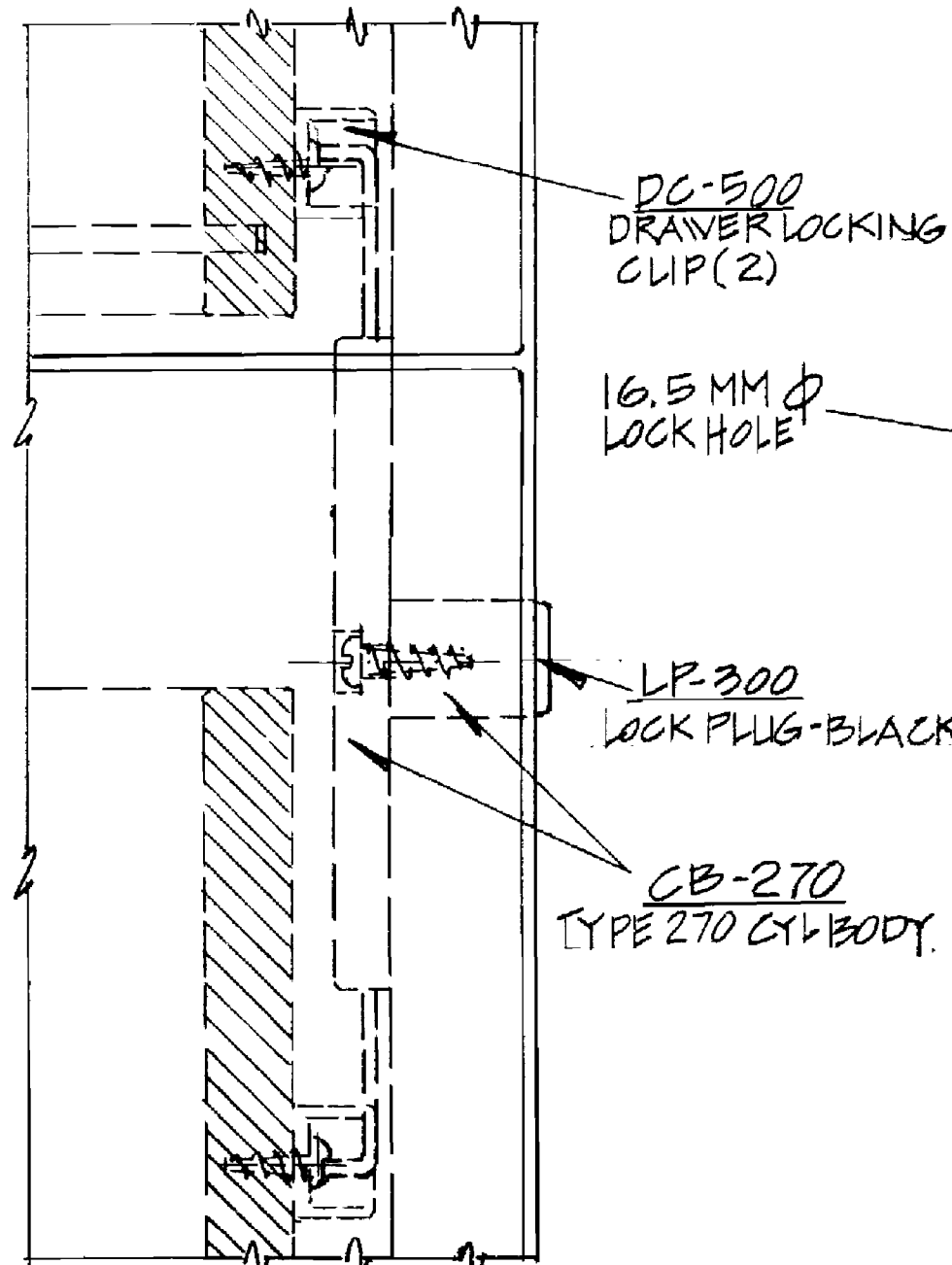
Scale 1:1
Lock shown in LOCKED POSITION.
Materials 3/4" unless otherwise shown.
Actual dimensions may vary due to construction details.

1-800-LOCKBAR/www.tlock.us
715 Center St., Grayslake, IL 60030
Copyright 2007 © CompX Security Products

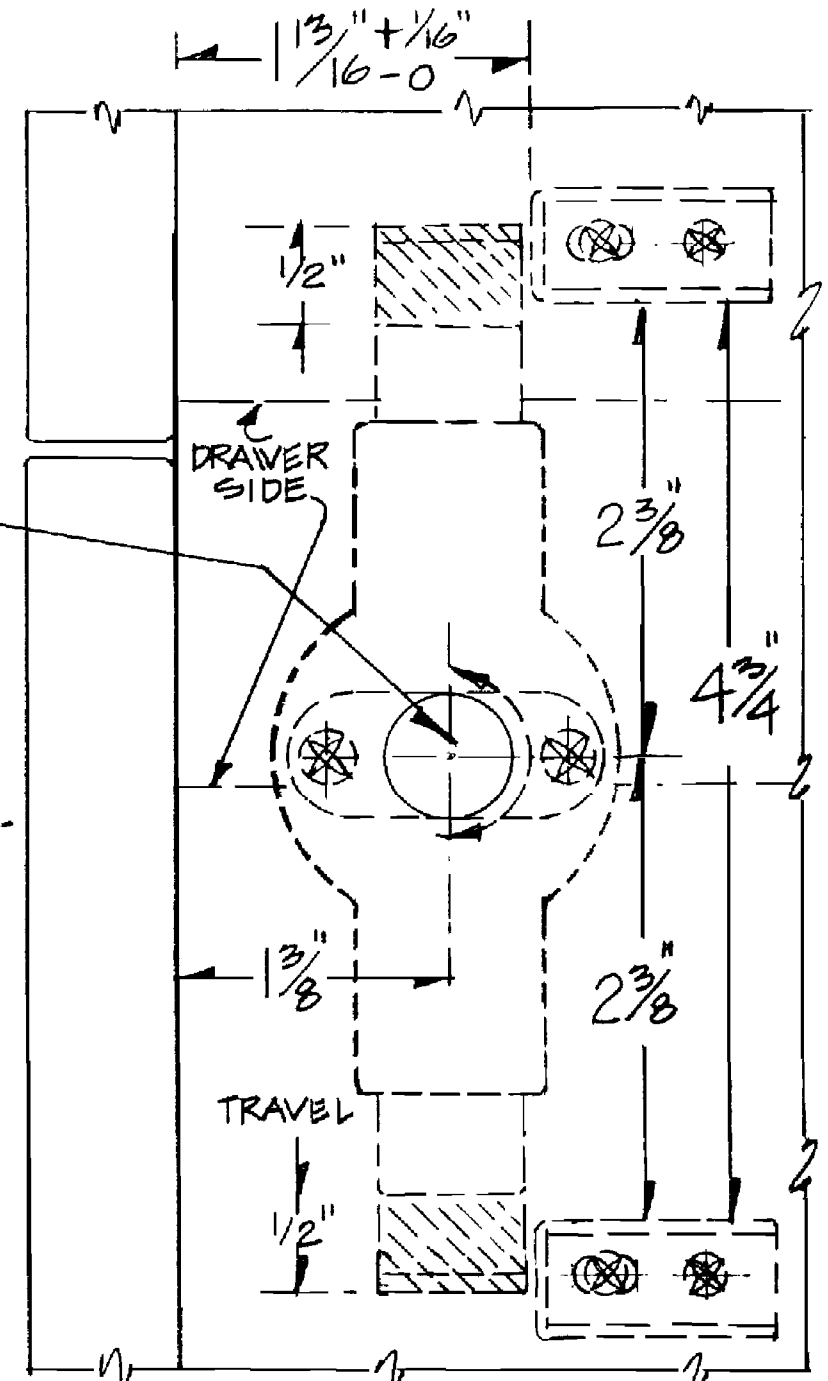




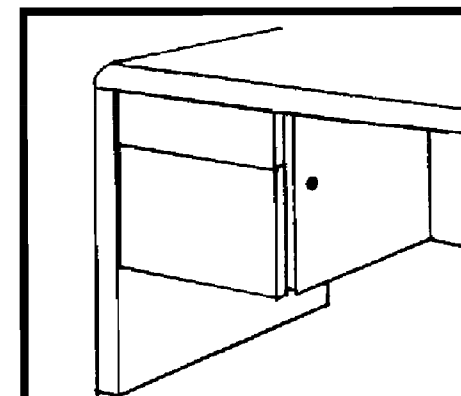
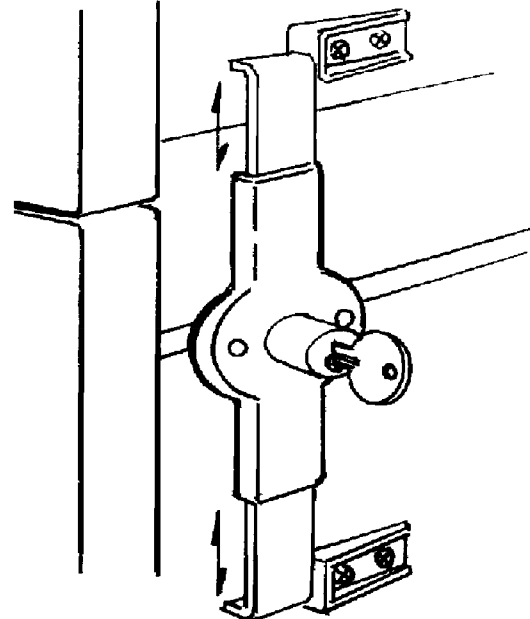
TOP



FRONT



SIDE



SIDE GANG LOCK
FOR TWO DRAWERS W/O LOCKBAR

Scale 1:1
Lock shown in LOCKED POSITION.
Materials $\frac{3}{4}$ " unless otherwise shown.
Actual dimensions may vary due to construction details.

1-800-LOCKBAR/www.tlock.us
715 Center St., Grayslake, IL 60030
Copyright 2007 © CompX Security Products



STEP 2
ROTATE LOCK/GEARBOX
FULLY CLOCKWISE TO
OPEN POSITION.

AC-200
ACTUATOR

STEP 1
MOVE ALL LOCKBARS TO
OPEN POSITION
MIDDLE POSITION ON
AC-200
LOWER POSITION ON
AC-500

FLEXIBLE SHAFT

STEP 3
INSERT SHAFT INTO
ACTUATORS

AC-500
ACTUATOR

STEP 4
PRESS THE SQUARE SECTION
OF THE SHAFT INTO THE
GEARBOX

TO REMOVE THE SHAFT,
INSERT A SCREWDRIVER
BLADE AND PRY BACK
RETAINER

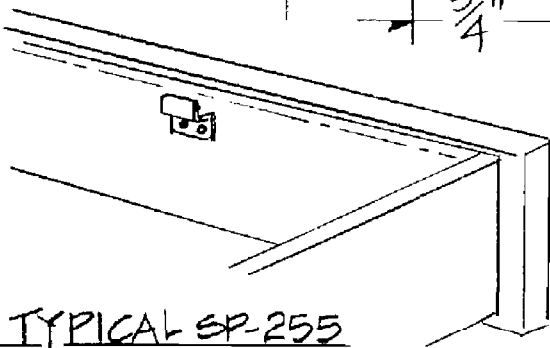
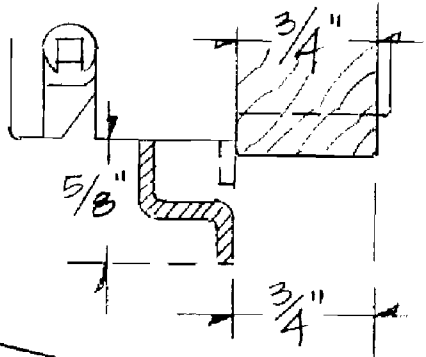
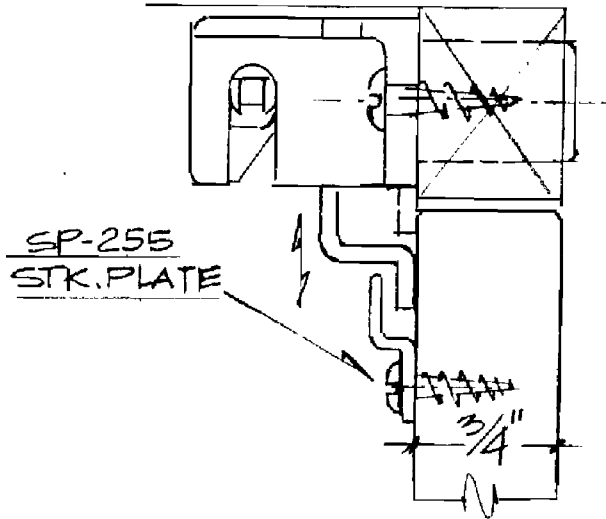
NOTE! SHAFT IS NOT REMOVABLE
WHEN THE LOCK IS IN THE
LOCKED POSITION.

FLEXIBLE SHAFT INSTALLATION

1-800-LOCKBAR/www.tlock.us
715 Center St., Grayslake, IL 60030
Copyright 2007 © CompX Security Products

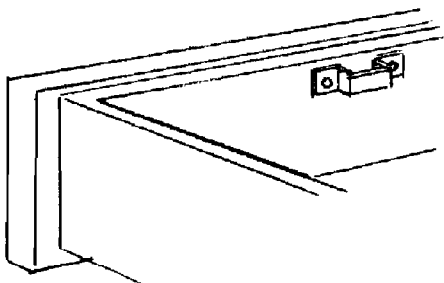
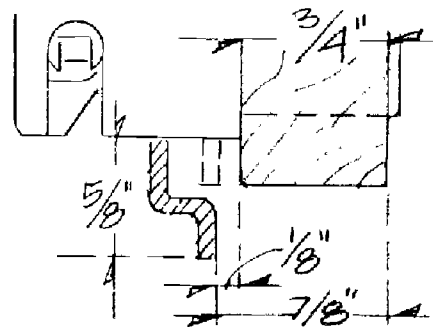
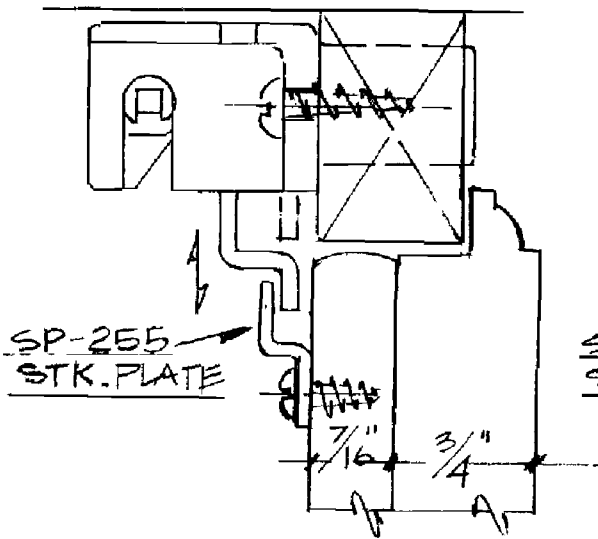


CB-550
TYPE 550 CYL. BODY



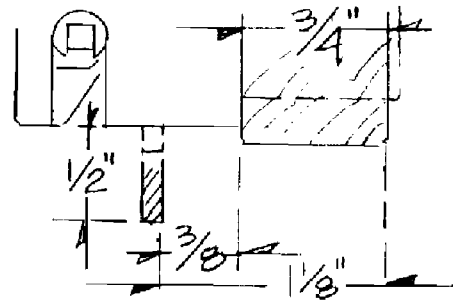
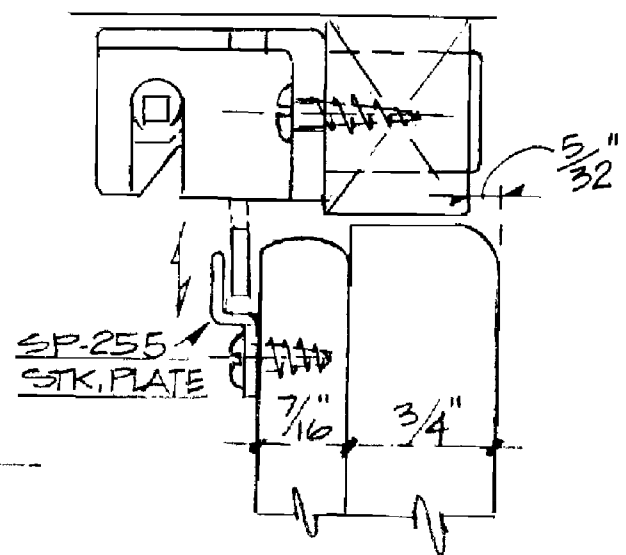
TYPICAL SP-255
STRIKE PLATE

CB-551
TYPE 551 CYL. BODY



OPTIONAL SP-250
STRIKE PLATE

CB-552
TYPE 552 CYL. BODY

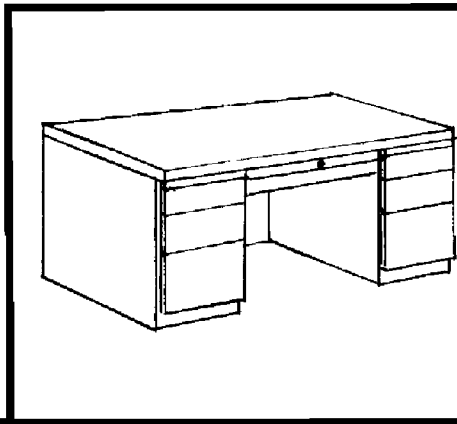
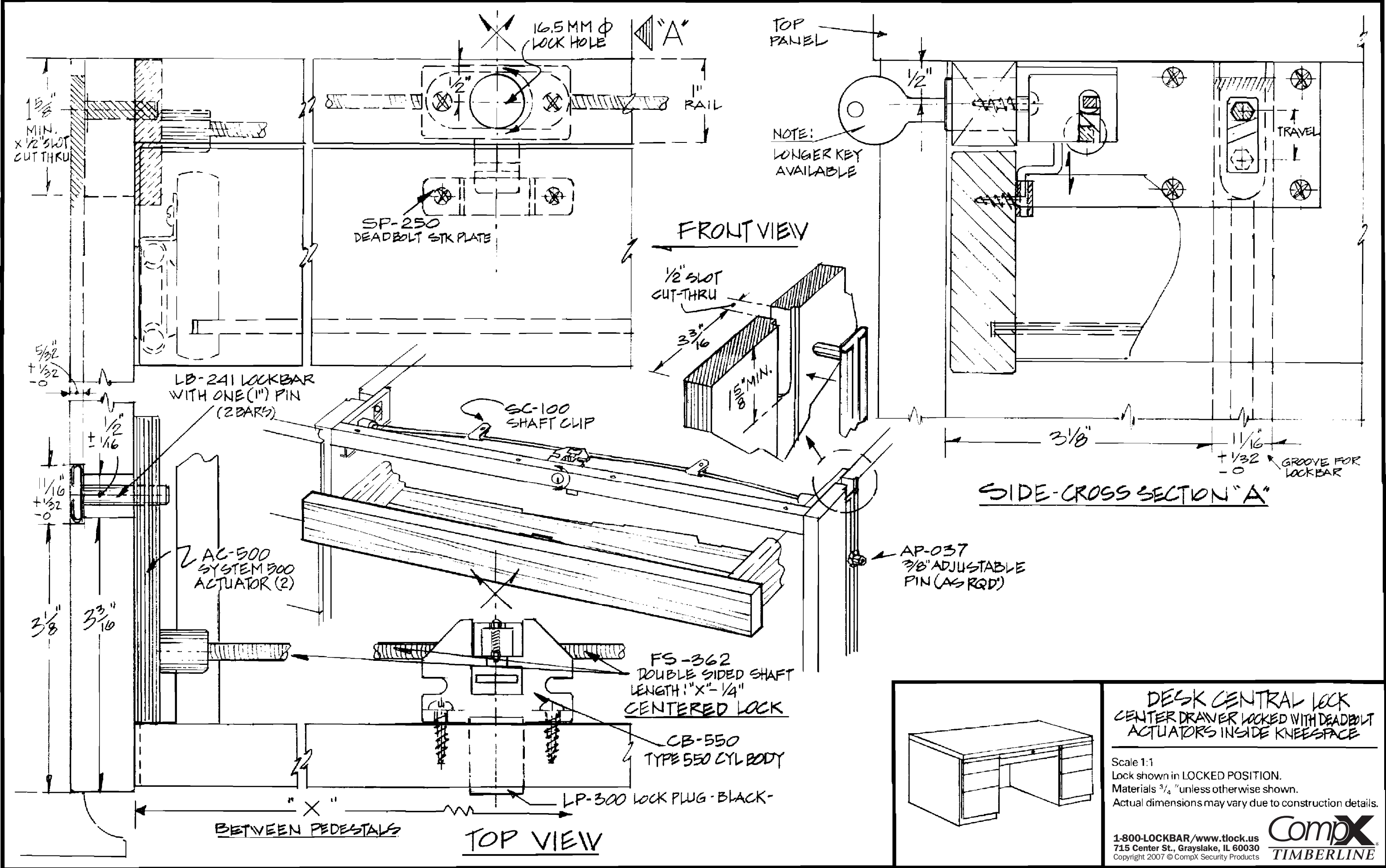


GEAR BOX DEAD BOLT
DETAILS

Scale 1:1
Lock shown in LOCKED POSITION.
Materials 3/4" unless otherwise shown.
Actual dimensions may vary due to construction details.

1-800-LOCKBAR/www.tlock.us
715 Center St., Grayslake, IL 60030
Copyright 2007 © CompX Security Products

CompX
TIMBERLINE

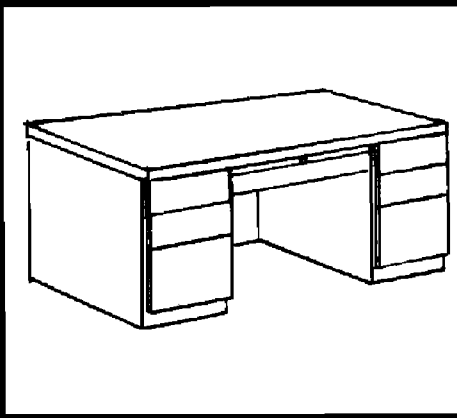
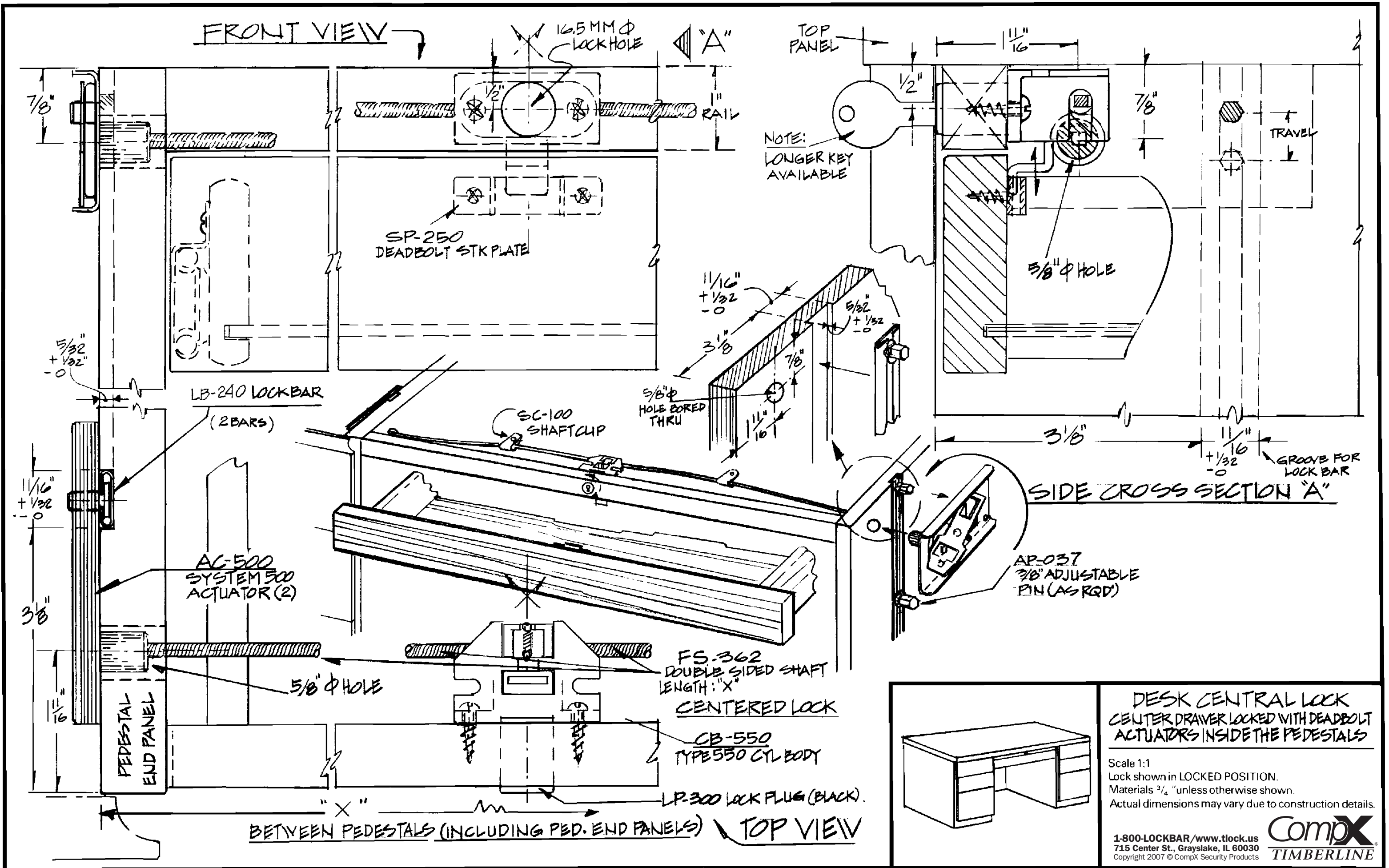


DESK CENTRAL LOCK
 CENTER DRAWER LOCKED WITH DEADBOLT ACTUATORS INSIDE KNEESPACE

Scale 1:1
 Lock shown in LOCKED POSITION.
 Materials 3/4" unless otherwise shown.
 Actual dimensions may vary due to construction details.

1-800-LOCKBAR/www.tlock.us
 715 Center St., Grayslake, IL 60030
 Copyright 2007 © CompX Security Products

CompX
 TIMBERLINE

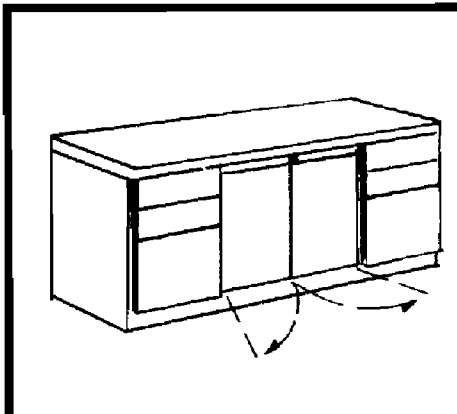
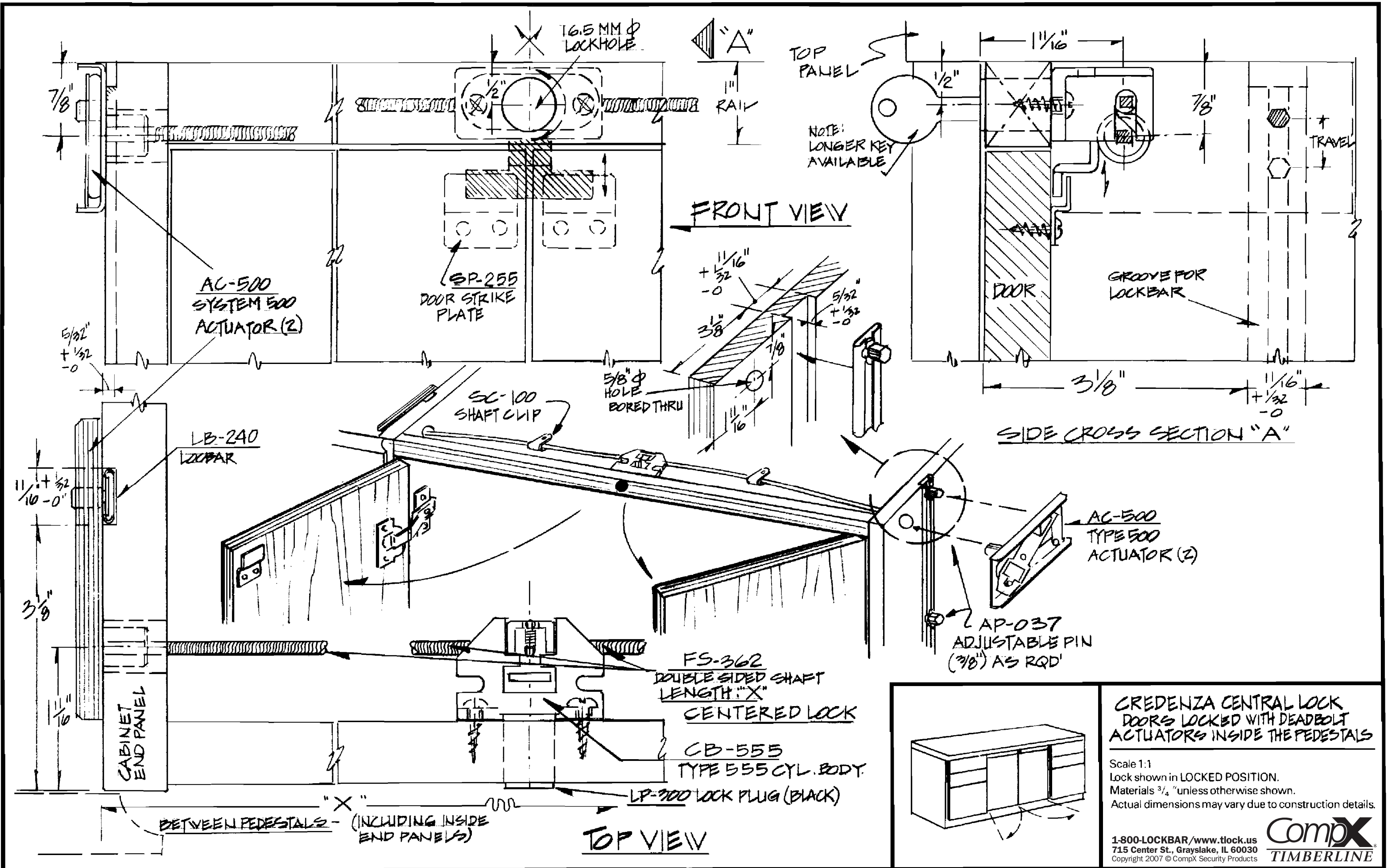


DESK CENTRAL LOCK
 CENTER DRAWER LOCKED WITH DEADBOLT ACTUATORS INSIDE THE PEDESTALS

Scale 1:1
 Lock shown in LOCKED POSITION.
 Materials 3/4" unless otherwise shown.
 Actual dimensions may vary due to construction details.

1-800-LOCKBAR/www.tlock.us
 715 Center St., Grayslake, IL 60030
 Copyright 2007 © CompX Security Products



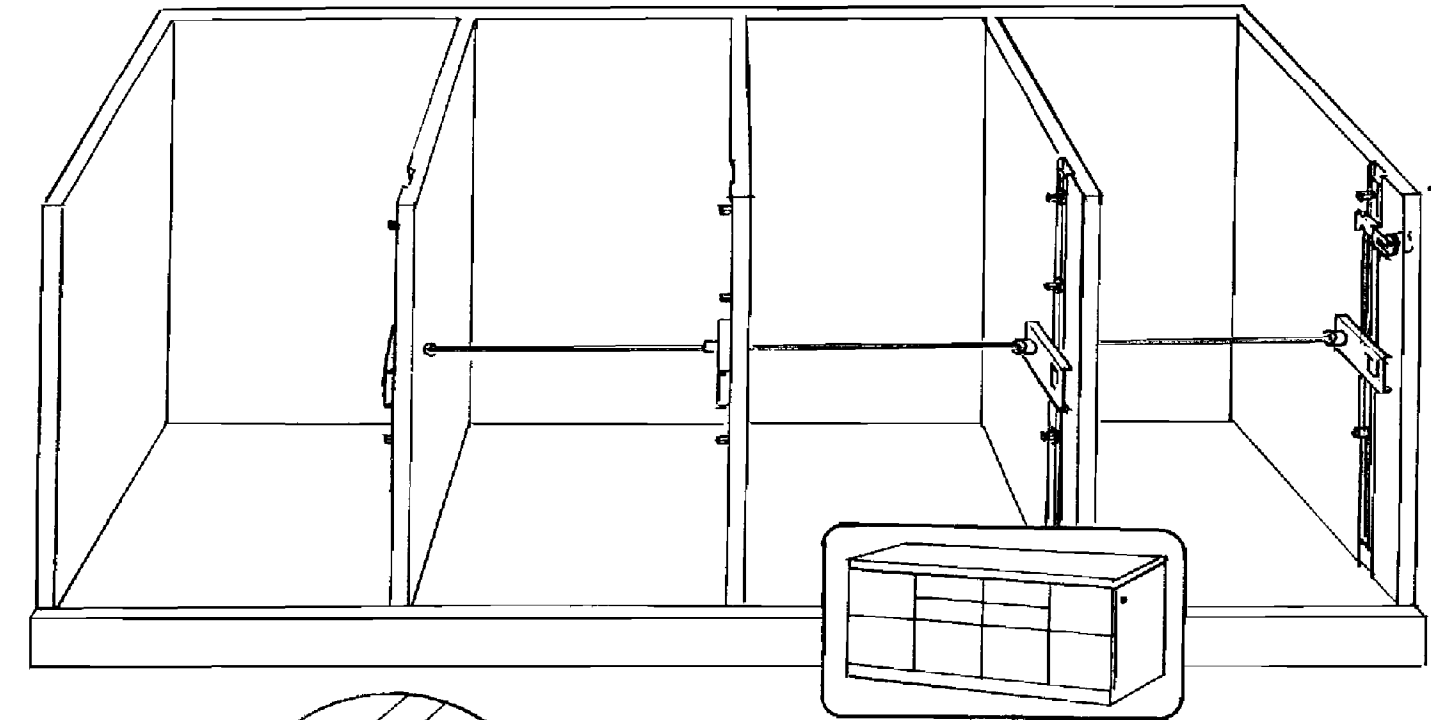


CREDENZA CENTRAL LOCK
 DOORS LOCKED WITH DEADBOLT
 ACTUATORS INSIDE THE PEDESTALS

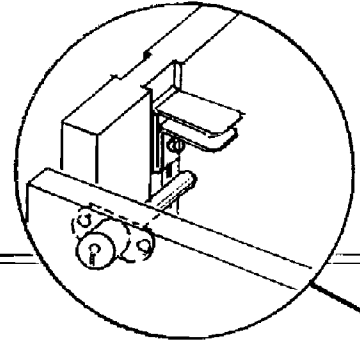
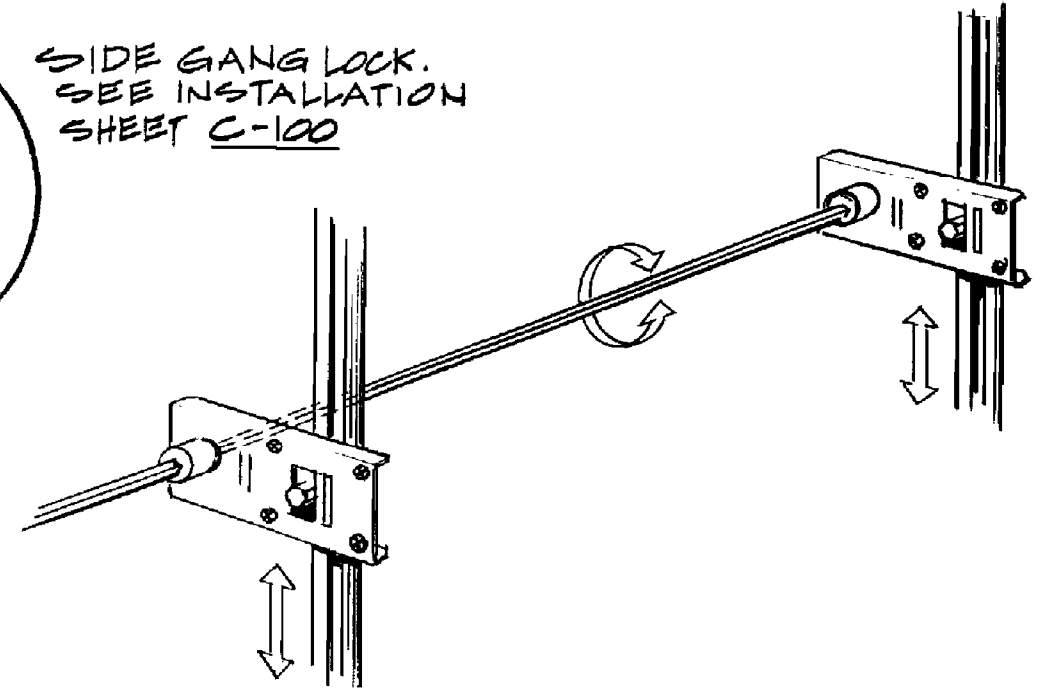
Scale 1:1
 Lock shown in LOCKED POSITION.
 Materials 3/4" unless otherwise shown.
 Actual dimensions may vary due to construction details.

1-800-LOCKBAR/www.tlock.us
 715 Center St., Grayslake, IL 60030
 Copyright 2007 © CompX Security Products

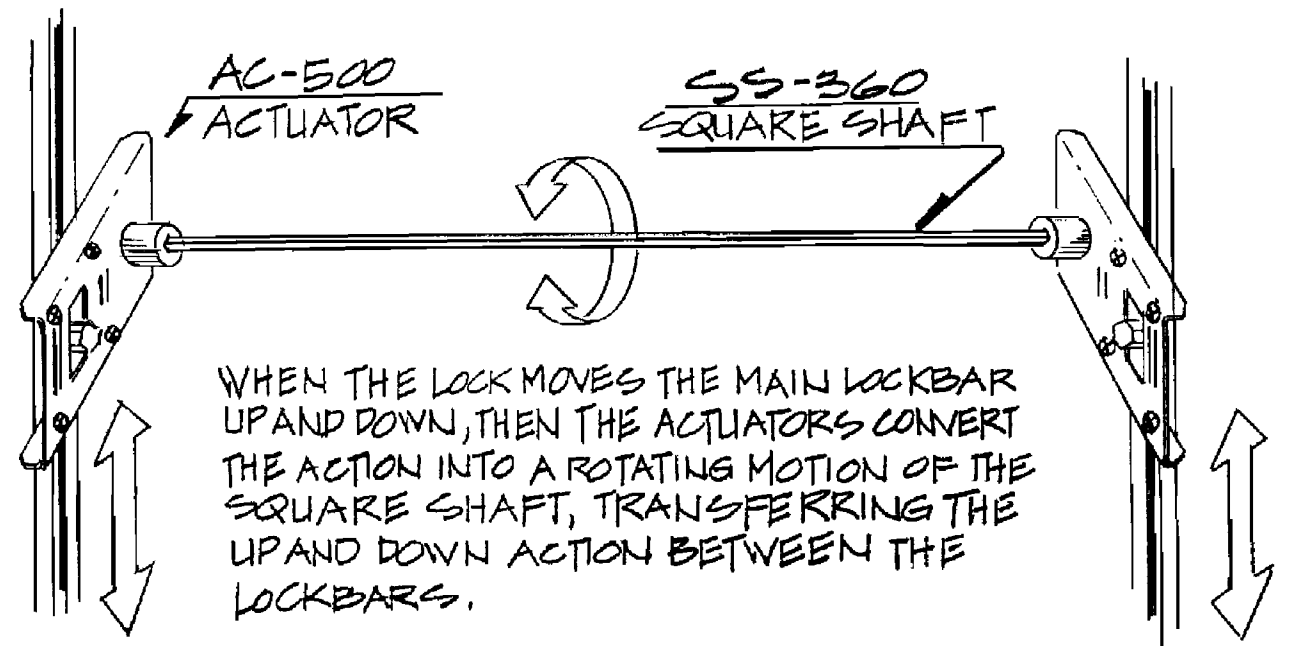
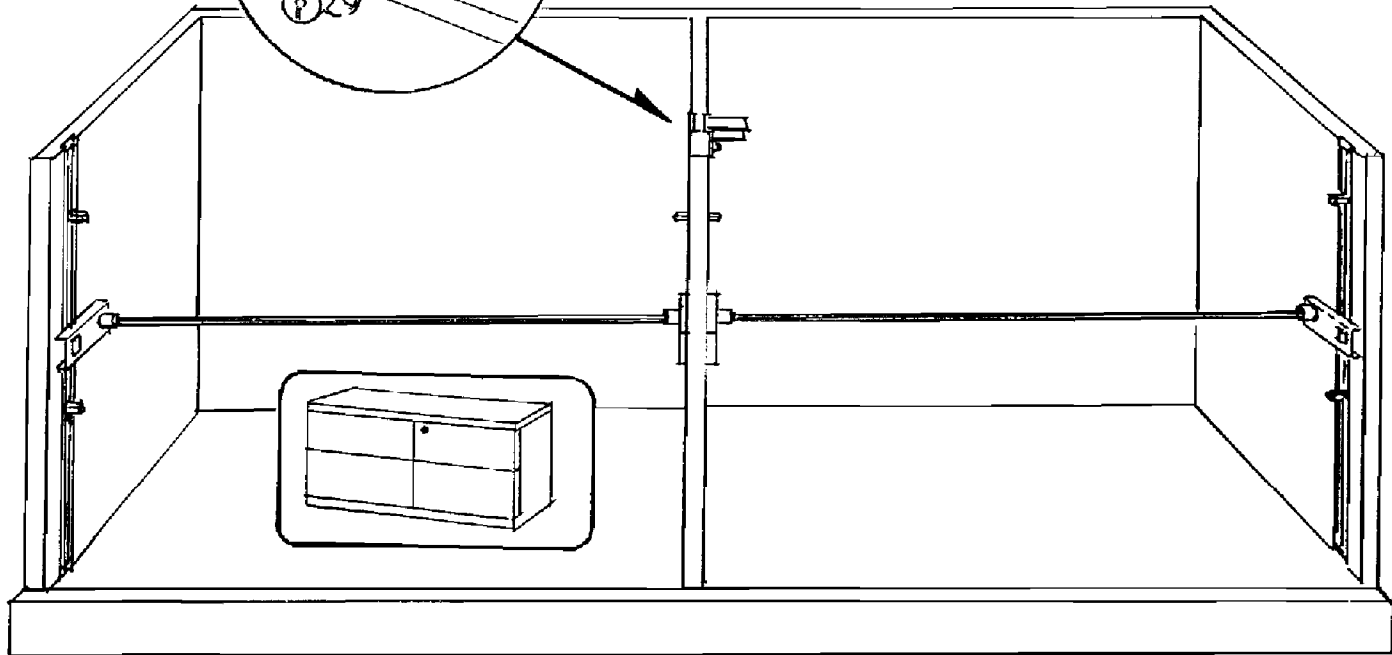
CompX
TIMBERLINE



SIDE GANG LOCK.
SEE INSTALLATION
SHEET C-100

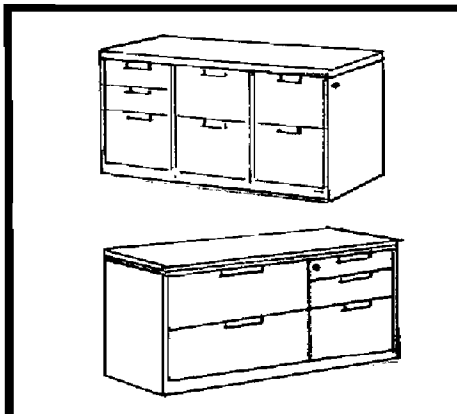


DOUBLE LOCKBAR
SEE INSTALLATION
SHEET B-127



AC-500 ACTUATOR SS-360 SQUARE SHAFT

WHEN THE LOCK MOVES THE MAIN LOCKBAR UP AND DOWN, THEN THE ACTUATORS CONVERT THE ACTION INTO A ROTATING MOTION OF THE SQUARE SHAFT, TRANSFERRING THE UP AND DOWN ACTION BETWEEN THE LOCKBARS.

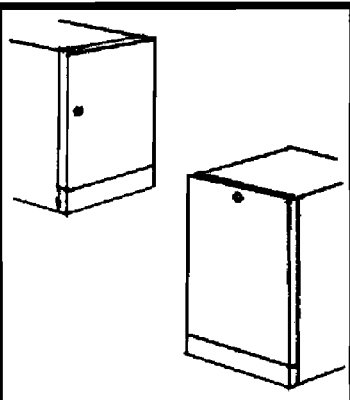
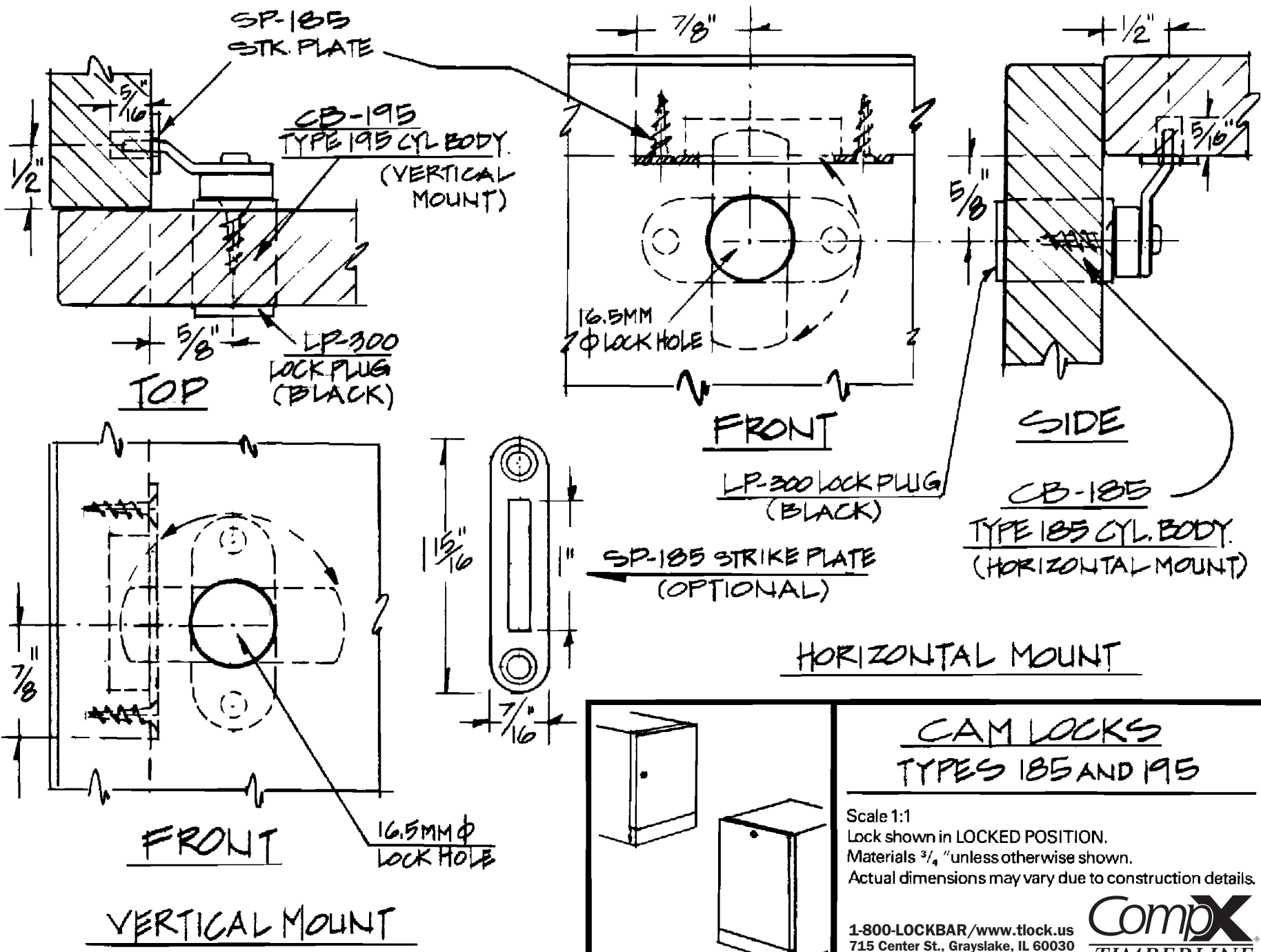


CREDENZA CENTRAL LOCK ACTUATORS LINKED WITH SQUARE SHAFTING

Scale 1:1
Lock shown in LOCKED POSITION.
Materials 3/4" unless otherwise shown.
Actual dimensions may vary due to construction details.

1-800-LOCKBAR/www.tlock.us
715 Center St., Grayslake, IL 60030
Copyright 2007 © CompX Security Products



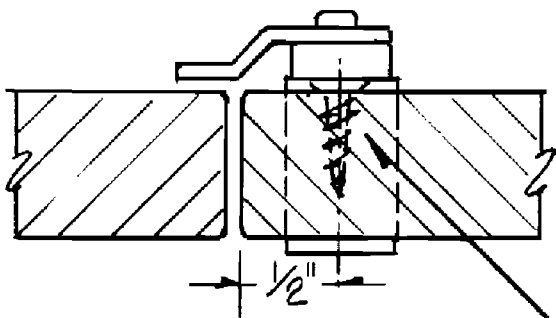


CAM LOCKS
TYPES 185 AND 195

Scale 1:1
 Lock shown in LOCKED POSITION.
 Materials 3/4" unless otherwise shown.
 Actual dimensions may vary due to construction details.

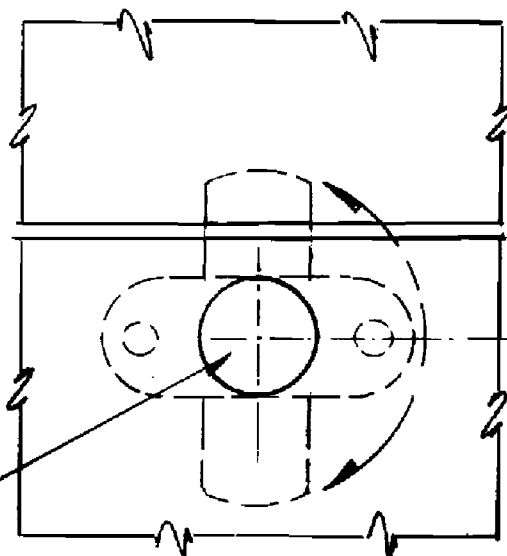
1-800-LOCKBAR/www.tlock.us
 715 Center St., Grayslake, IL 60030
 Copyright 2007 © CompX Security Products



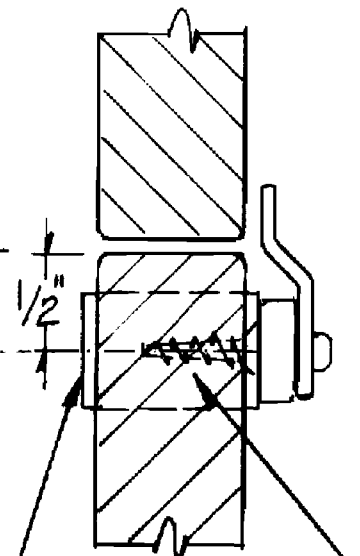


TOP

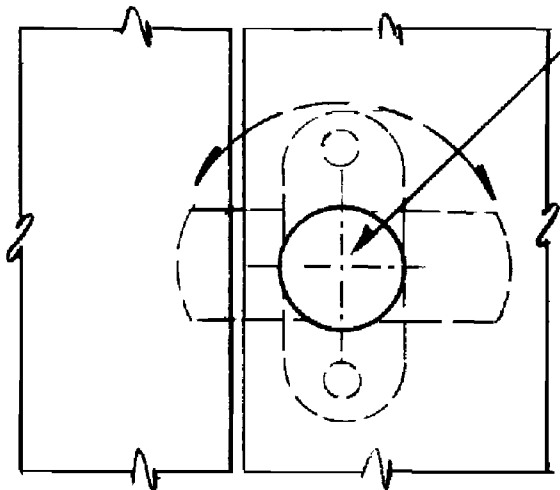
CB-190
 TYPE 190 CYL BODY
 (VERTICAL MOUNT)
 16.5 MM Ø LOCK HOLE



LP-300
 LOCK PLUG (BLACK)
FRONT



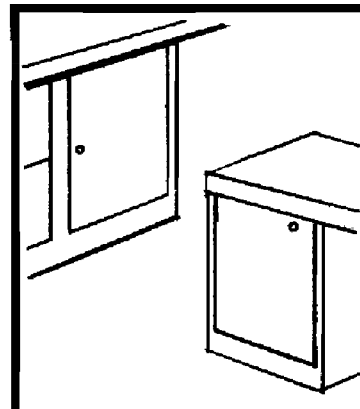
CB-180
 TYPE 180 CYL BODY
 (HORIZONTAL MOUNT)
SIDE



FRONT

VERTICAL MOUNT

HORIZONTAL MOUNT



**CAM LOCKS
 TYPES 190 AND 180**

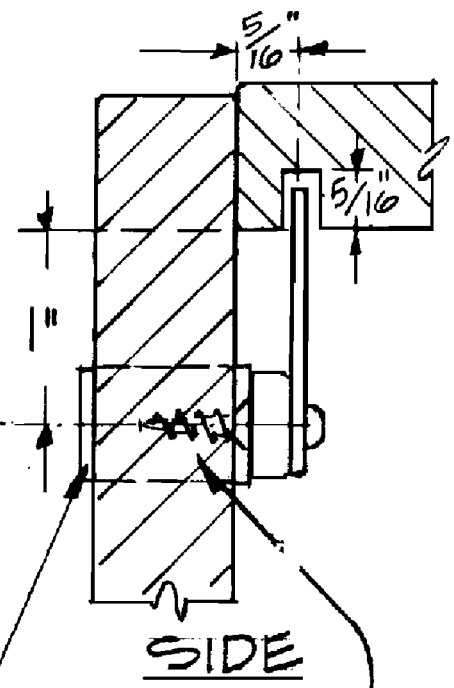
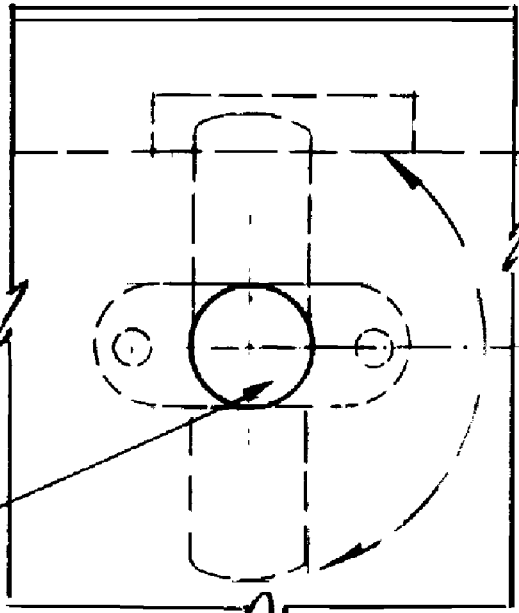
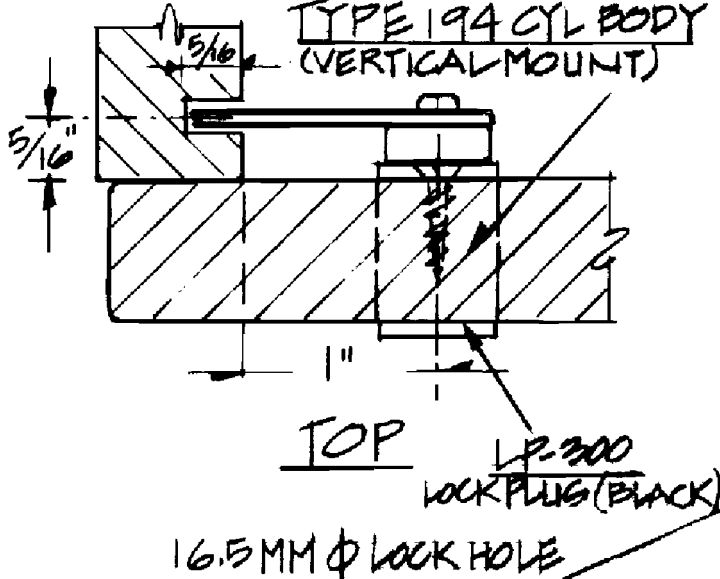
Scale 1:1
 Lock shown in LOCKED POSITION.
 Materials 3/4" unless otherwise shown.
 Actual dimensions may vary due to construction details.

1-800-LOCKBAR/www.tlock.us
 715 Center St., Grayslake, IL 60030
 Copyright 2007 © CompX Security Products



CB-194

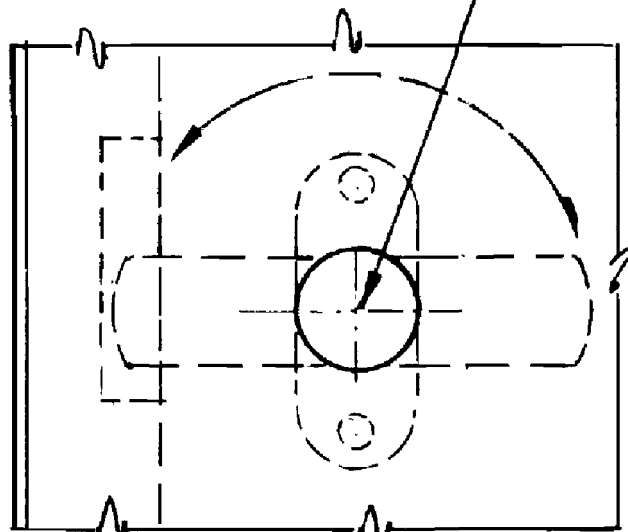
TYPE 194 CYL BODY
(VERTICAL MOUNT)



CB-184

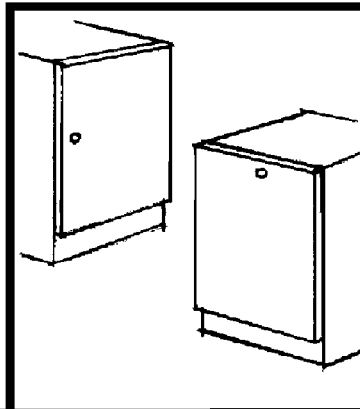
TYPE 184 CYL BODY
(HORIZONTAL MOUNT).

HORIZONTAL MOUNT



FRONT

VERTICAL MOUNT

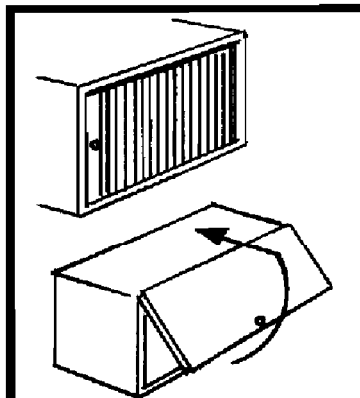
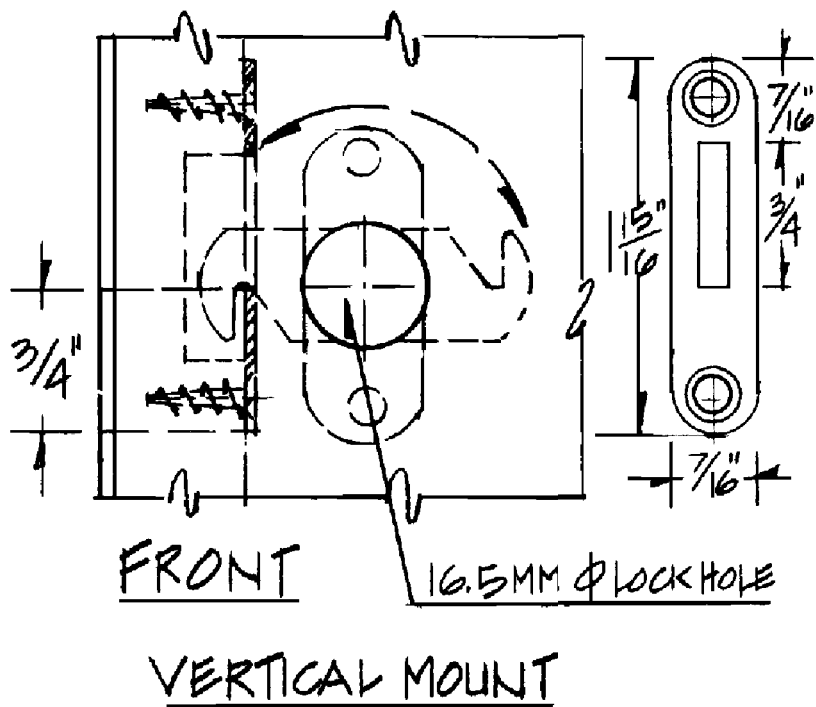
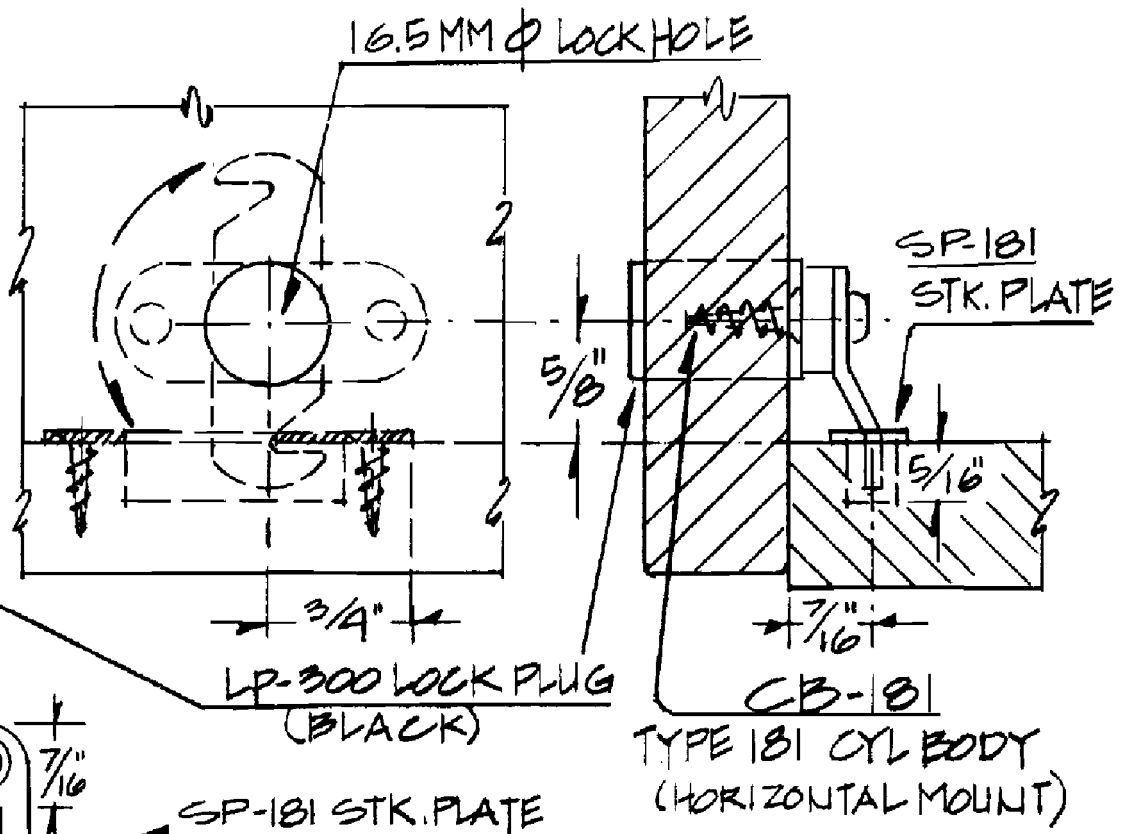
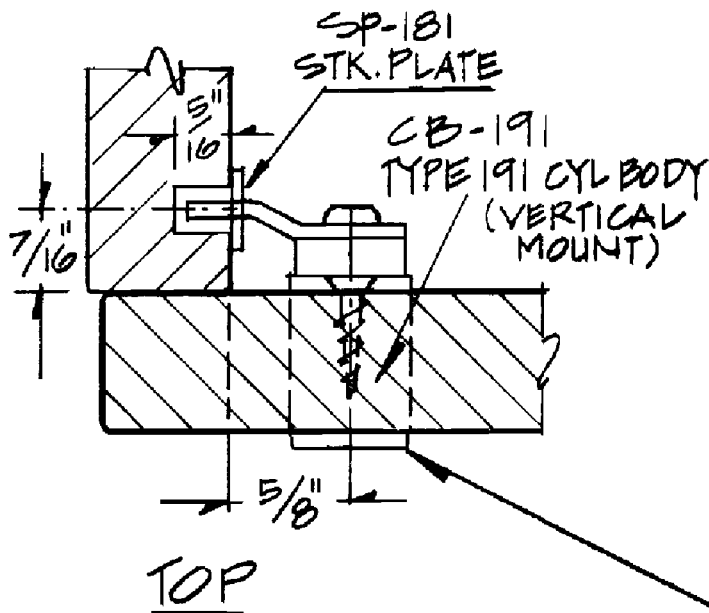


CAM LOCKS TYPES 184 AND 194

Scale 1:1
 Lock shown in LOCKED POSITION.
 Materials 3/4" unless otherwise shown.
 Actual dimensions may vary due to construction details.

1-800-LOCKBAR/www.tlock.us
 715 Center St., Grayslake, IL 60030
 Copyright 2007 © CompX Security Products





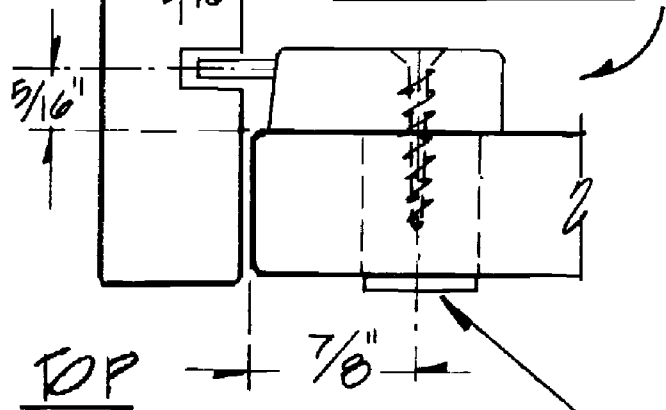
CAM LOCKS TYPES 181 AND 191

Scale 1:1
 Lock shown in LOCKED POSITION.
 Materials 3/4" unless otherwise shown.
 Actual dimensions may vary due to construction details.

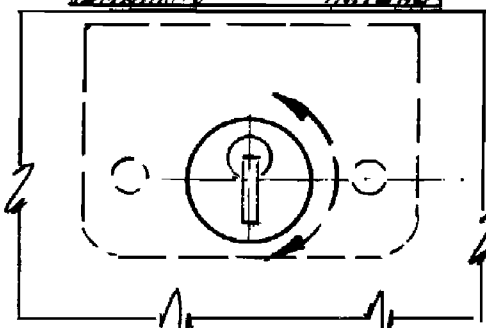
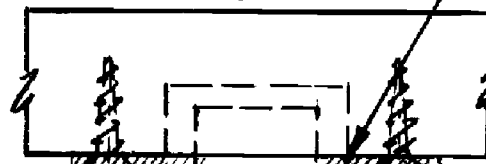
1-800-LOCKBAR/www.tlock.us
 715 Center St., Grayslake, IL 60030
 Copyright 2007 © CompX Security Products

CompX
 TIMBERLINE

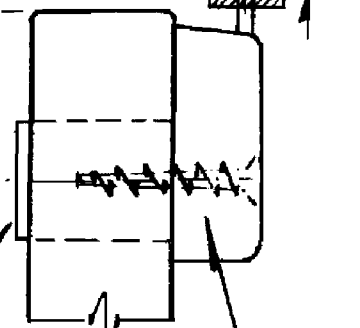
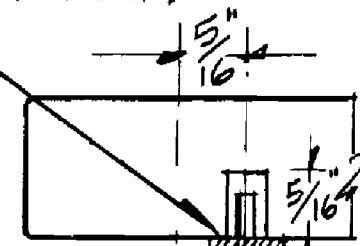
CB-290
TYPE 290 CYL BODY
(VERTICAL MOUNT)



SP-185 STRIKE PLATE
(OPTIONAL)

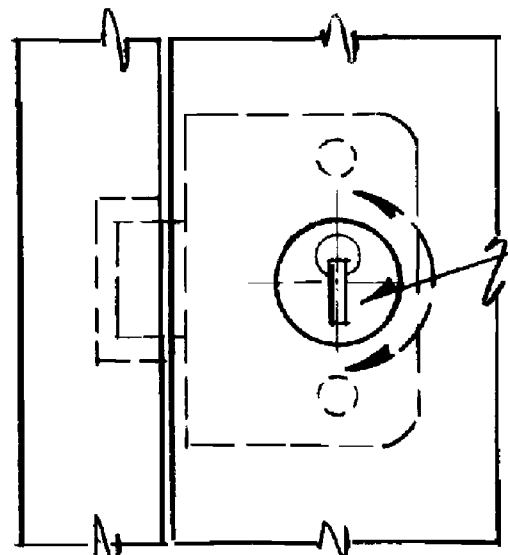


FRONT
LP-300 LOCK PLUG
(BLACK)



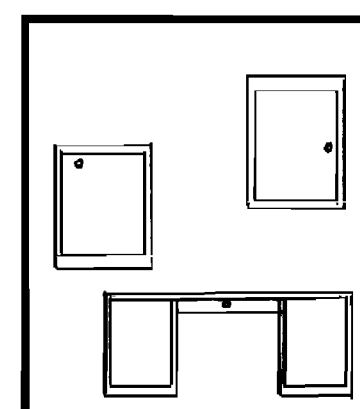
CB-280
TYPE 280 CYL BODY
(HORIZONTAL MOUNT)

SIDE



FRONT

16.5MM Ø LOCK HOLE
(TYPICAL)

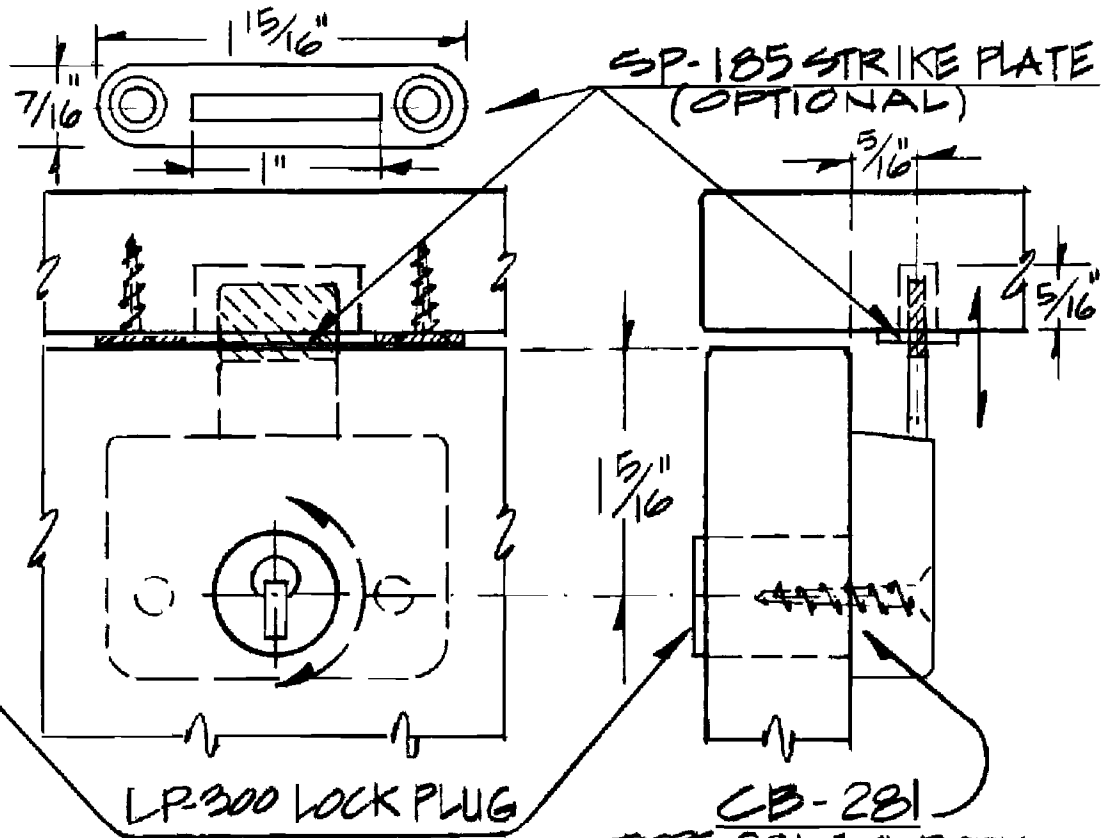
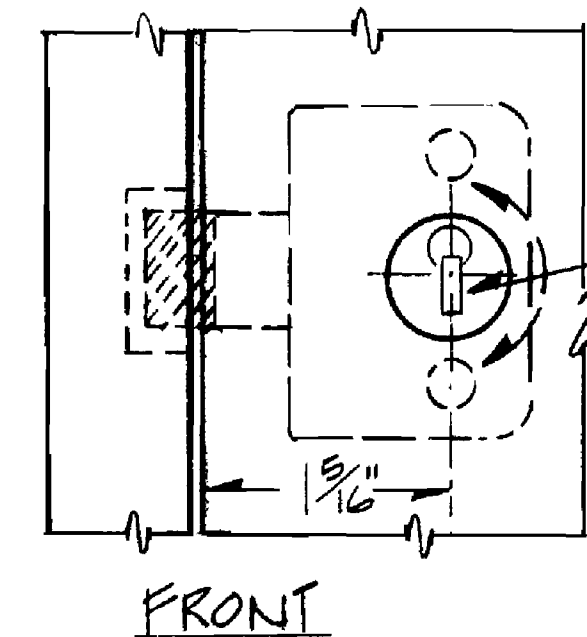
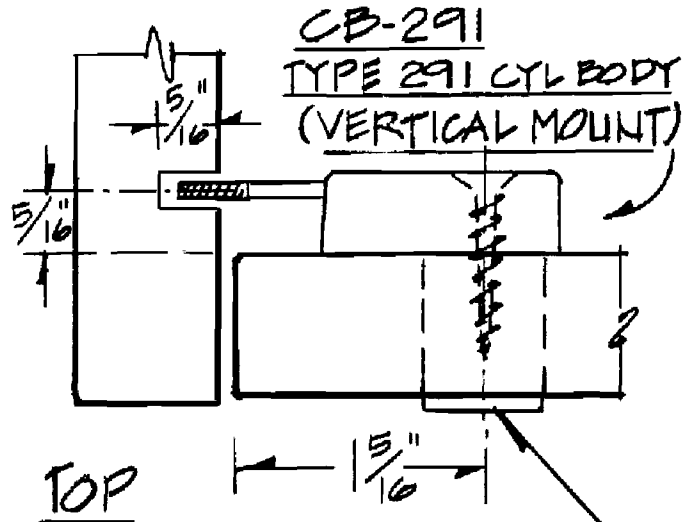


DEADBOLT LOCKS
TYPES 280 AND 290

Scale 1:1
 Lock shown in LOCKED POSITION.
 Materials 3/4" unless otherwise shown.
 Actual dimensions may vary due to construction details.

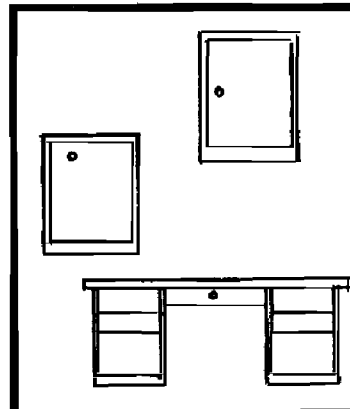
1-800-LOCKBAR/www.tlock.us
 715 Center St., Grayslake, IL 60030
 Copyright 2007 © CompX Security Products





16.5 MM ϕ LOCK HOLE
(TYPICAL)

FRONT

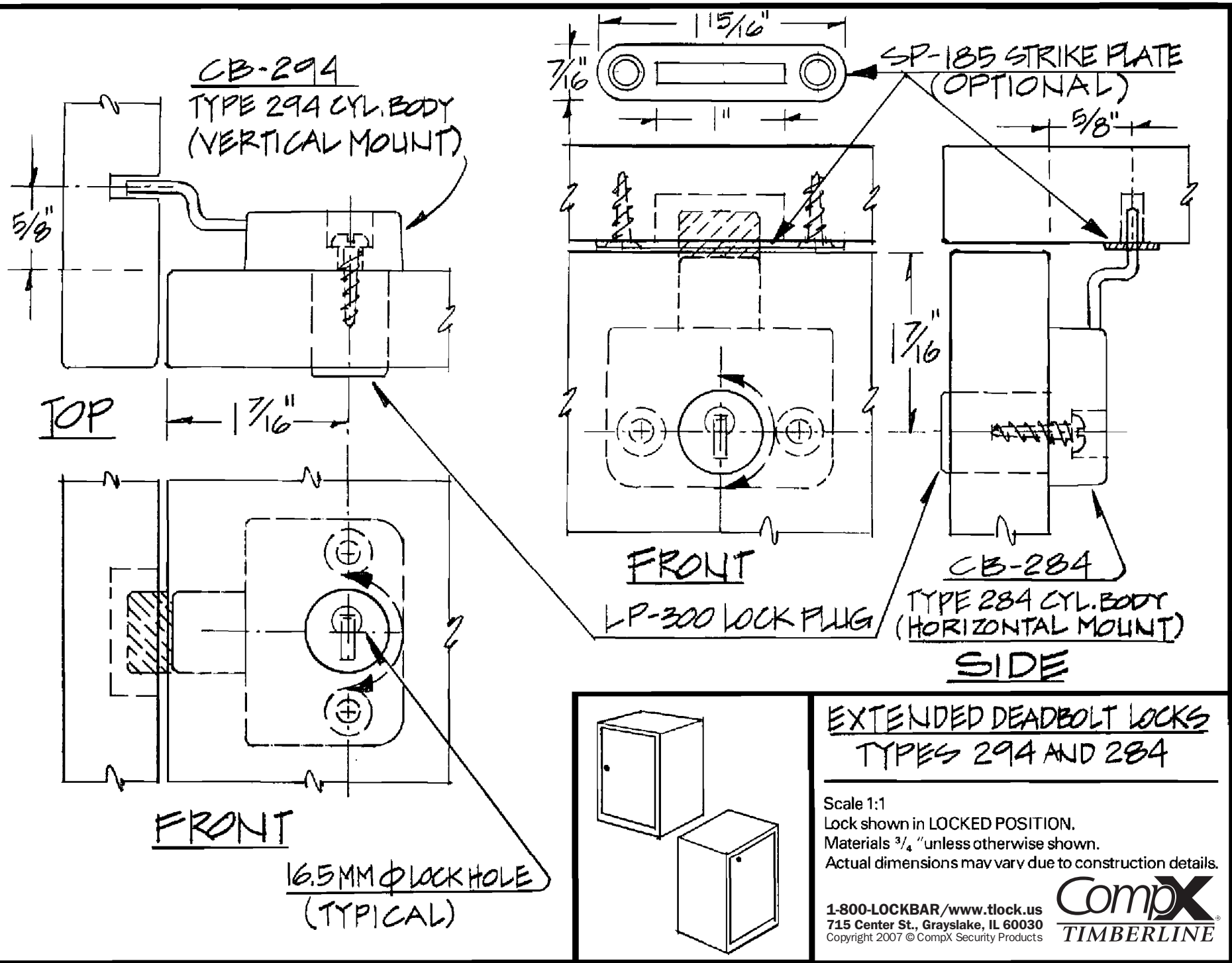


EXTENDED DEADBOLT LOCKS
TYPES 281 AND 291

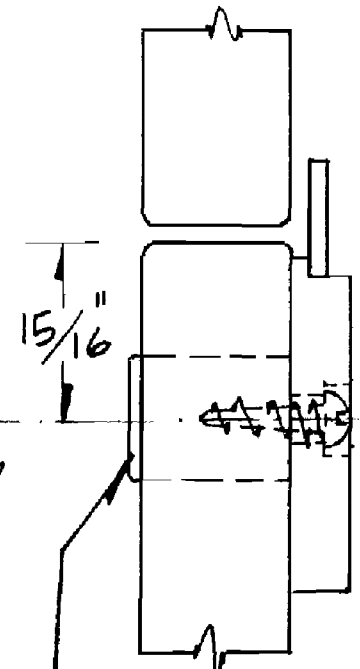
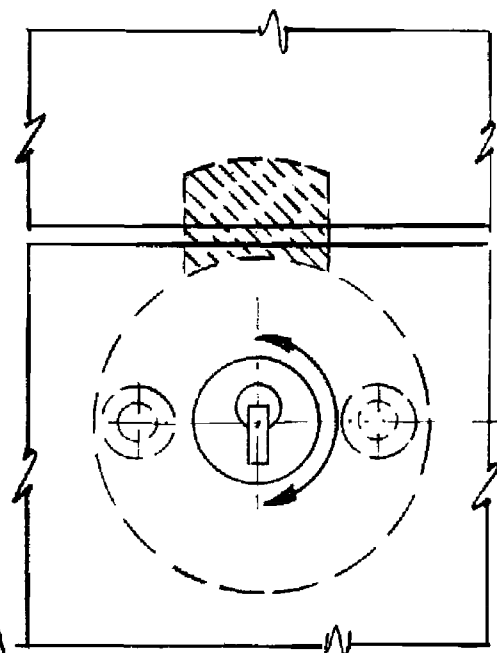
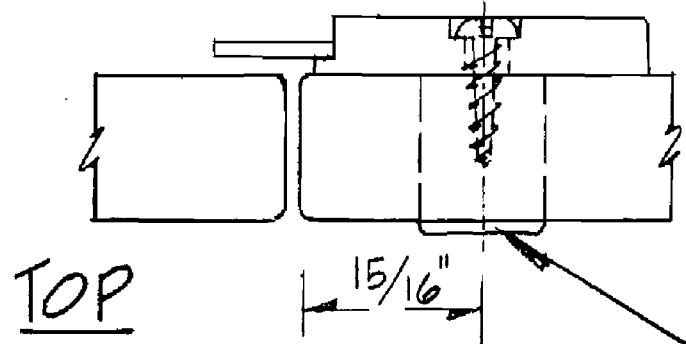
Scale 1:1
Lock shown in LOCKED POSITION.
Materials 3/4" unless otherwise shown.
Actual dimensions may vary due to construction details.

1-800-LOCKBAR/www.tlock.us
715 Center St., Grayslake, IL 60030
Copyright 2007 © CompX Security Products

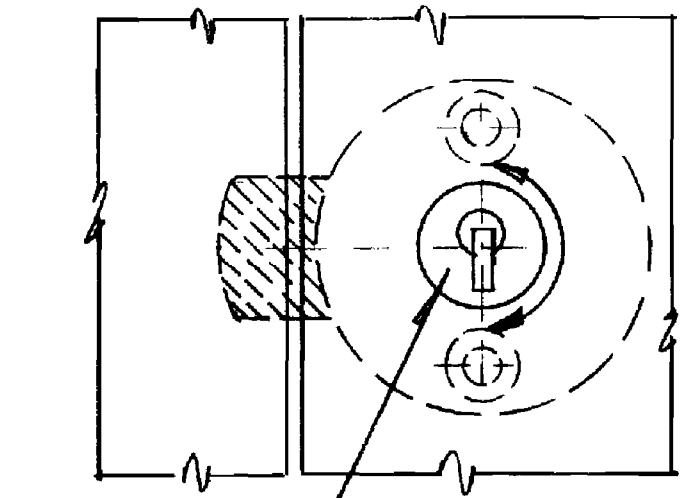
CompX
TIMBERLINE



CB-240
TYPE 240 CYL. BODY
VERTICAL MOUNT



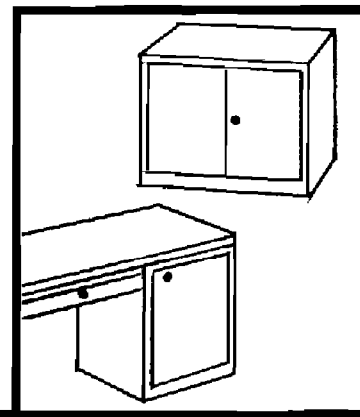
CB-230
TYPE 230 CYL. BODY
HORIZONTAL MOUNT



LP-300 LOCK PLUG

SIDE

16.5MM Ø LOCK HOLE
 (TYPICAL)



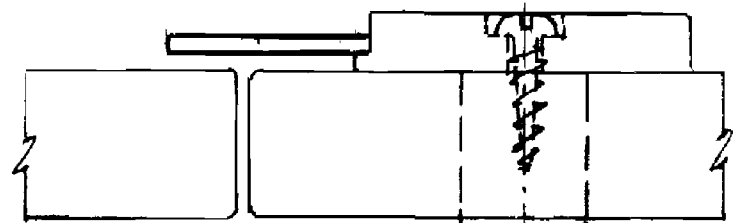
DEADBOLT LOCKS
TYPES 230 AND 240

Scale 1:1
 Lock shown in LOCKED POSITION.
 Materials 3/4" unless otherwise shown.
 Actual dimensions may vary due to construction details.

1-800-LOCKBAR/www.tlock.us
 715 Center St., Grayslake, IL 60030
 Copyright 2007 © CompX Security Products

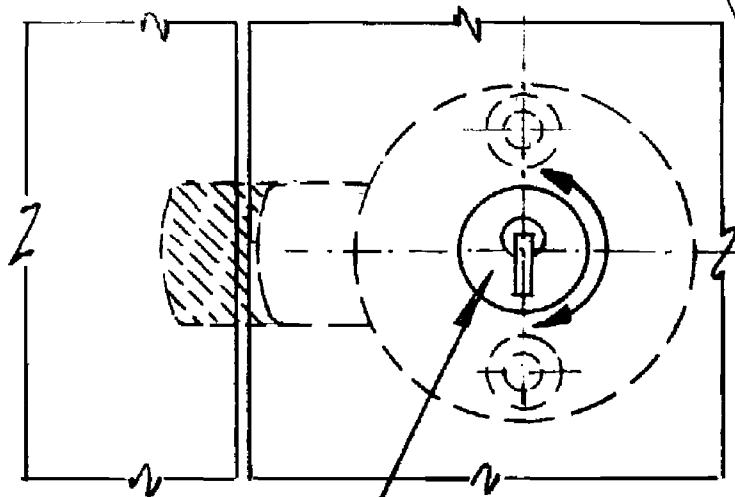


CB-241
TYPE 241 CYL. BODY
(VERTICAL MOUNT)



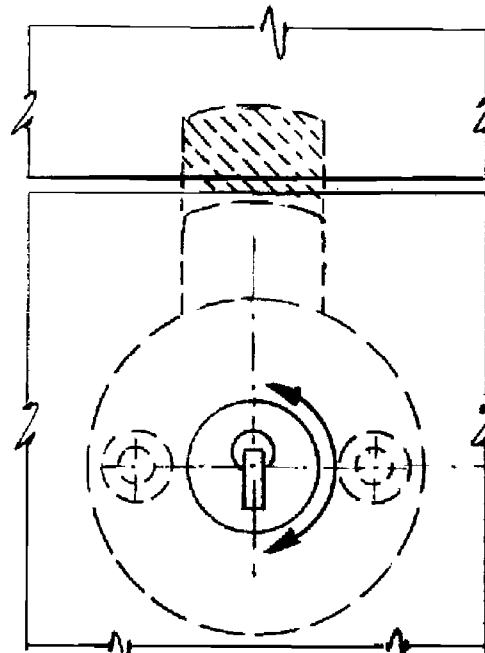
TOP

17/16"



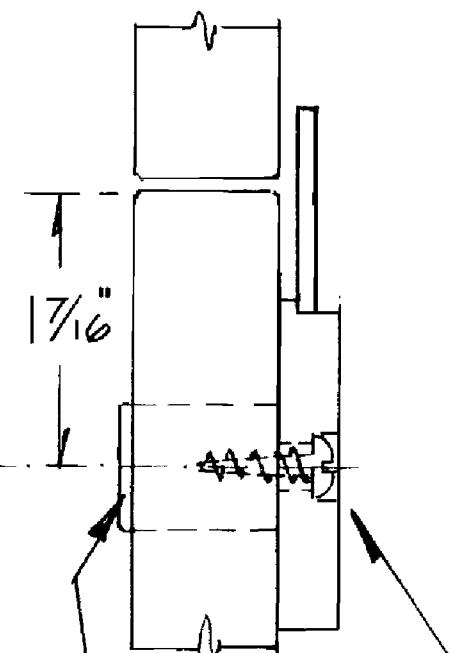
FRONT

16.5MM ϕ LOCK HOLE
(TYPICAL)



FRONT

LP-300 LOCK PLUG

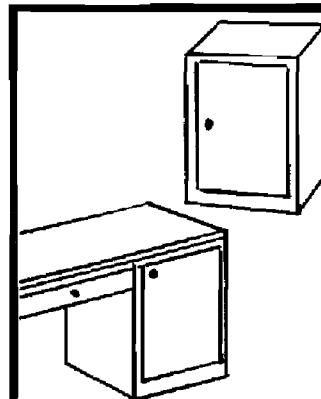


17/16"

CB-231

TYPE 231 CYL. BODY
(HORIZONTAL MOUNT)

SIDE



EXTENDED DEADBOLT LOCKS
TYPES 231 AND 241

Scale 1:1

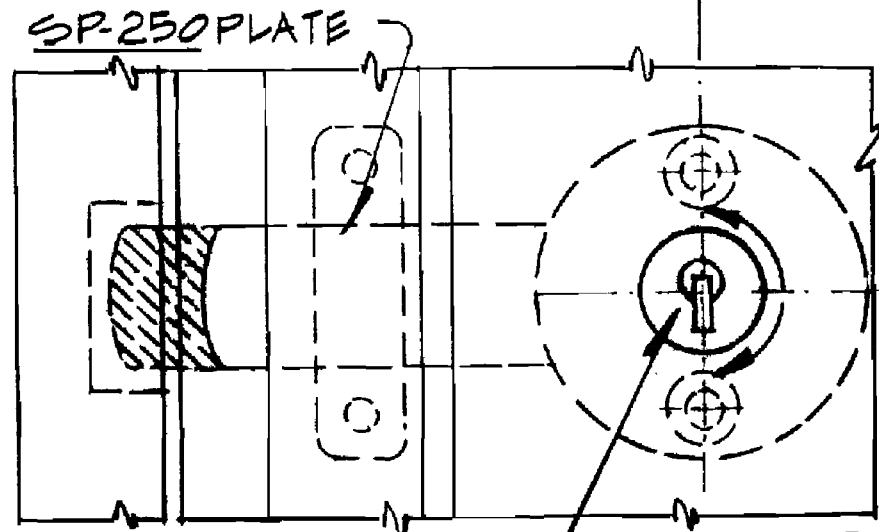
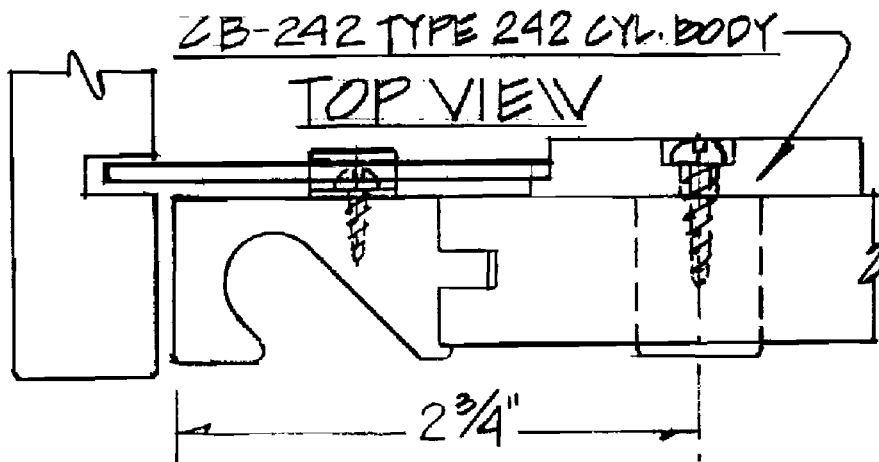
Lock shown in LOCKED POSITION.

Materials 3/4" unless otherwise shown.

Actual dimensions may vary due to construction details.

1-800-LOCKBAR/www.tlock.us
715 Center St., Grayslake, IL 60030
Copyright 2007 © CompX Security Products

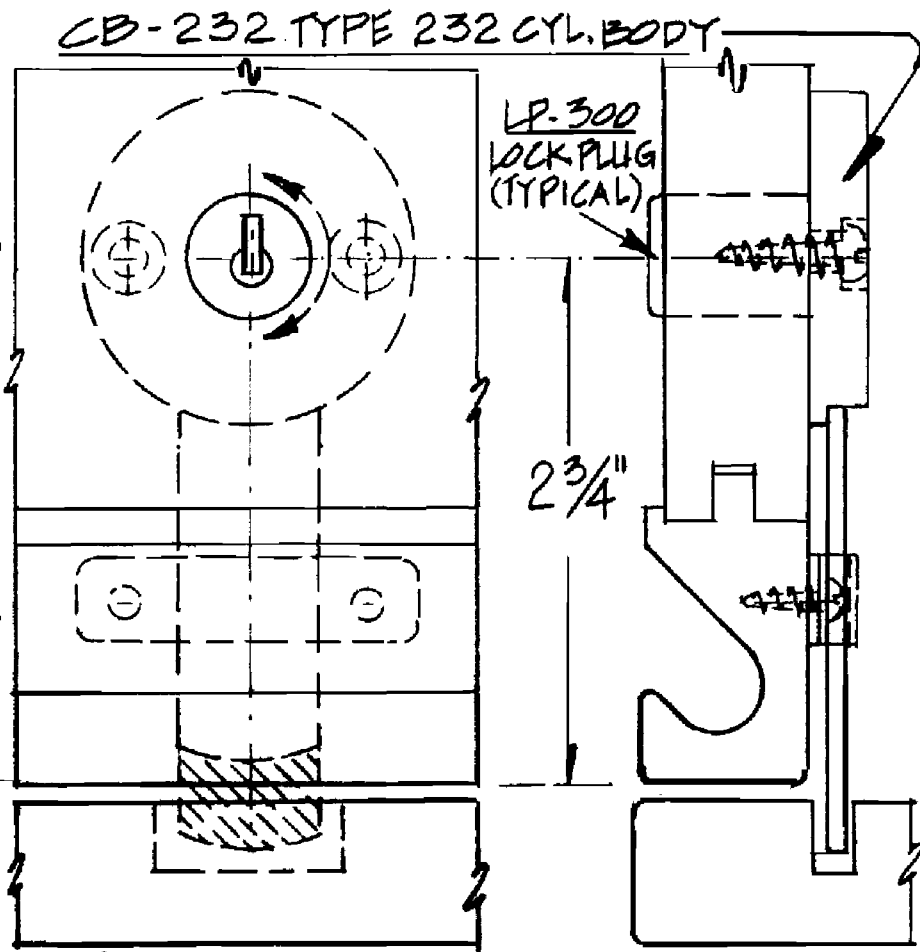
CompX
TIMBERLINE



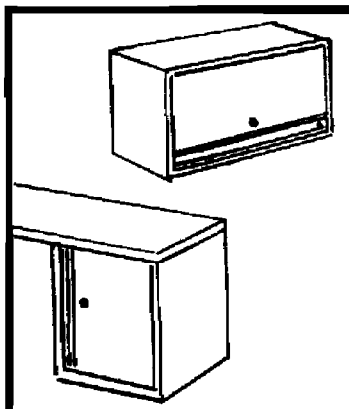
FRONT

VERTICAL MOUNT

16.5 MM Ø
LOCK HOLE
(TYPICAL)



FRONT HORIZONTAL MOUNT SIDE

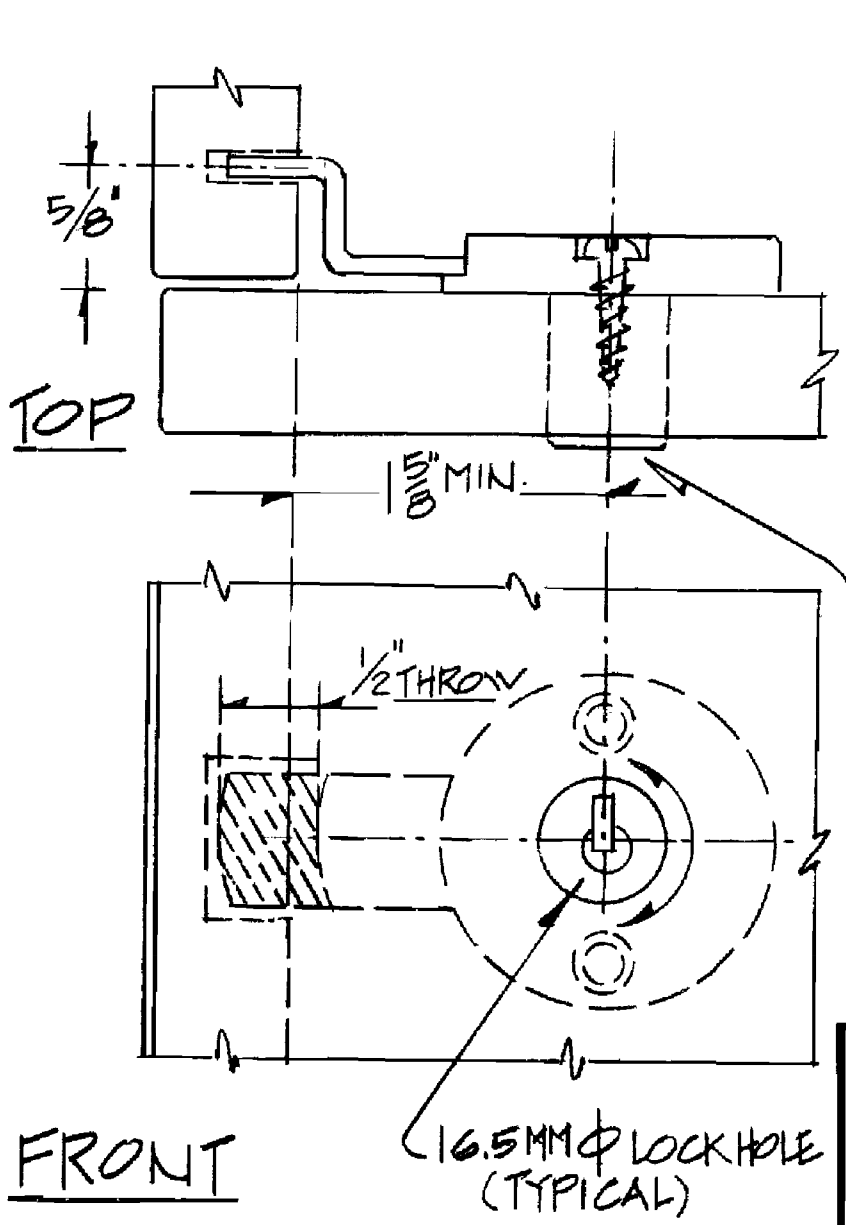


EXTENDED DEADBOLT LOOKS
TYPES 232 AND 242

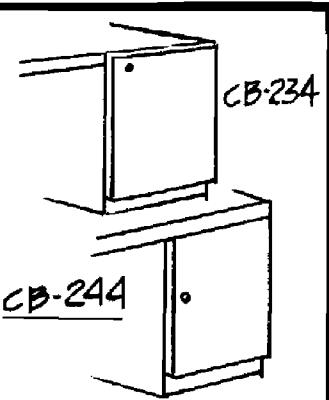
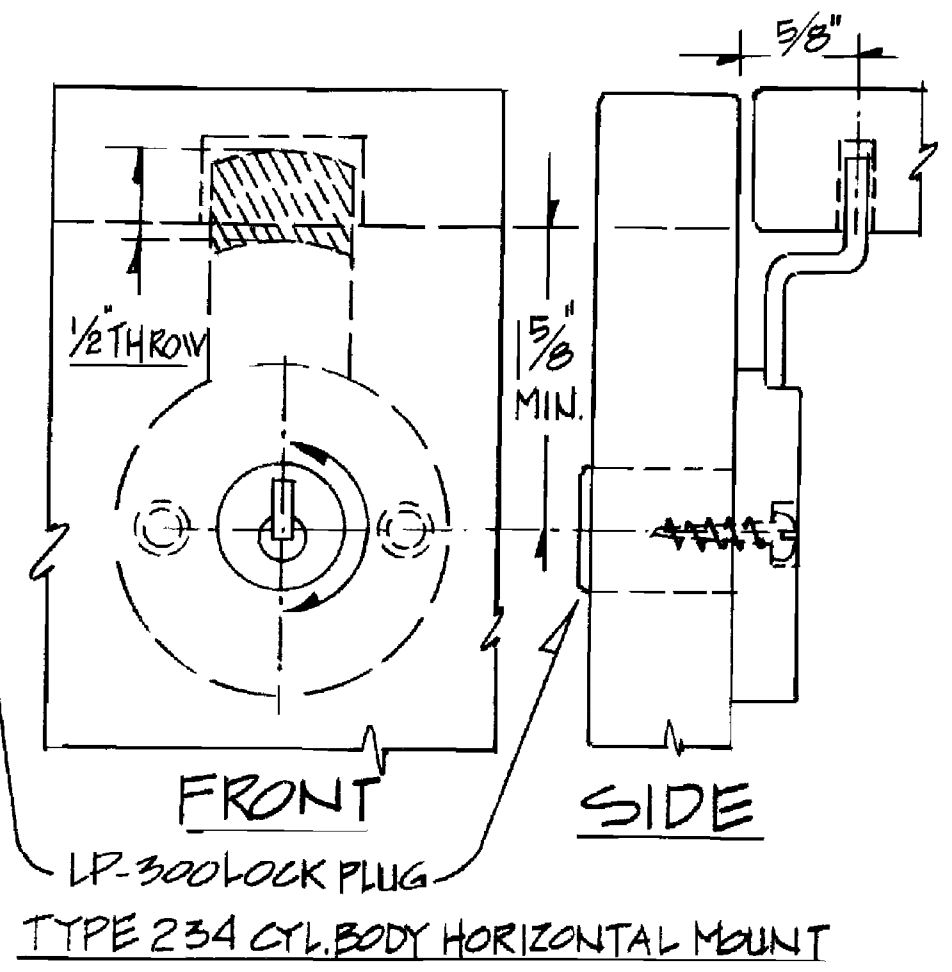
Scale 1:1
Lock shown in LOCKED POSITION.
Materials 3/4" unless otherwise shown.
Actual dimensions may vary due to construction details.

1-800-LOCKBAR/www.tlock.us
715 Center St., Grayslake, IL 60030
Copyright 2007 © CompX Security Products





CB-244
TYPE 244 CYL. BODY
VERTICAL MOUNT

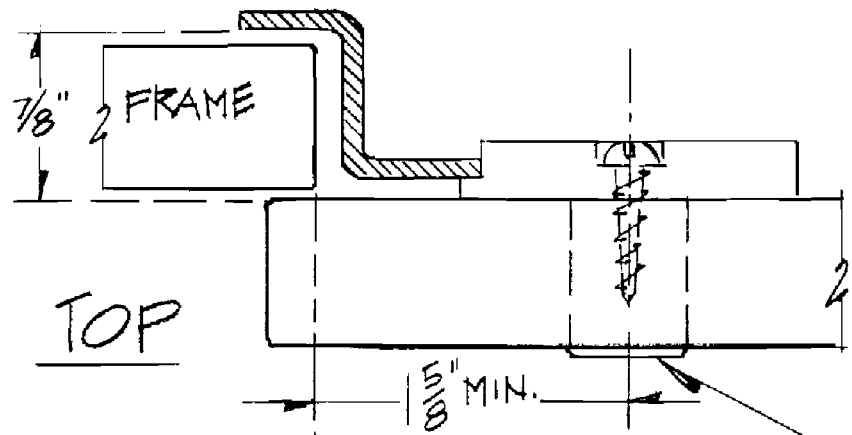


DEADBOLT LOCKS
TYPES 234 AND 244

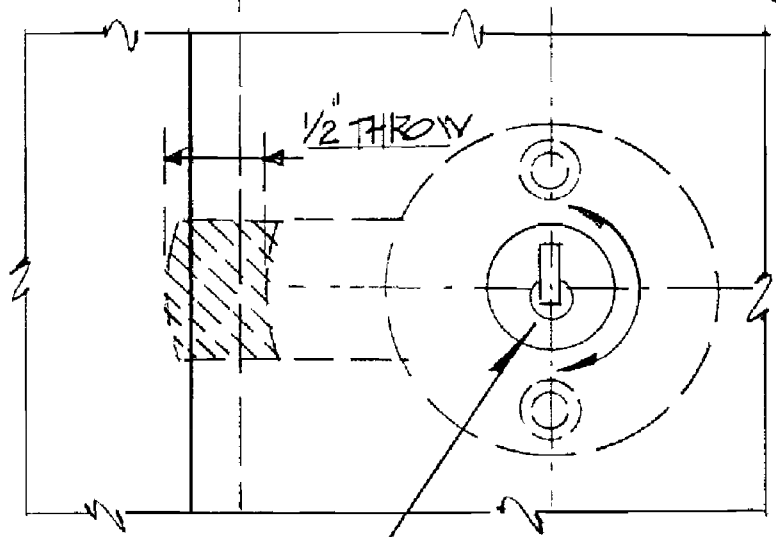
Scale 1:1
 Lock shown in LOCKED POSITION.
 Materials 3/4" unless otherwise shown.
 Actual dimensions may vary due to construction details.

1-800-LOCKBAR/www.tlock.us
 715 Center St., Grayslake, IL 60030
 Copyright 2007 © CompX Security Products





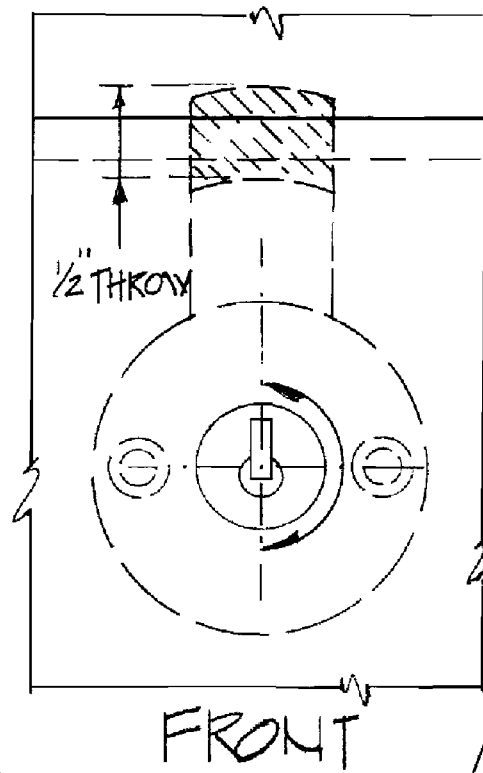
TOP



FRONT

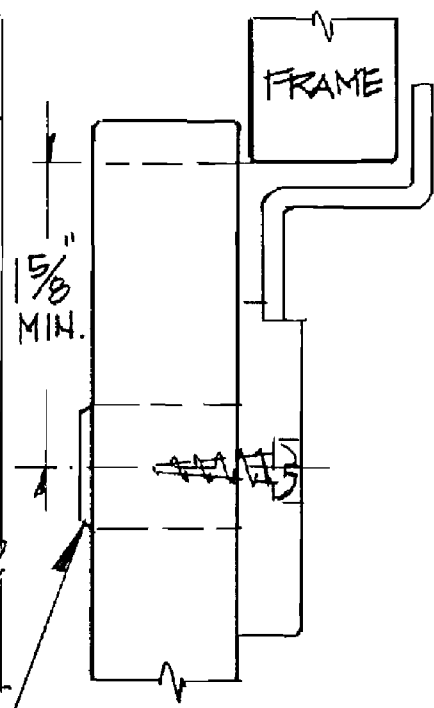
16.5 MM ϕ LOCK HOLE (TYPICAL)

CB-245
TYPE 245 CYL. BODY
VERTICAL MOUNT



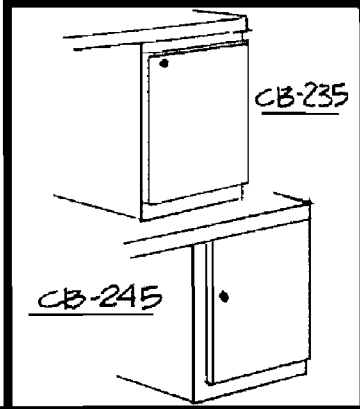
FRONT

LP-300 LOCK PLUG



CB-235
TYPE 235 CYL. BODY
HORIZONTAL MOUNT

SIDE



DEADBOLT LOCKS
TYPES 235 AND 245

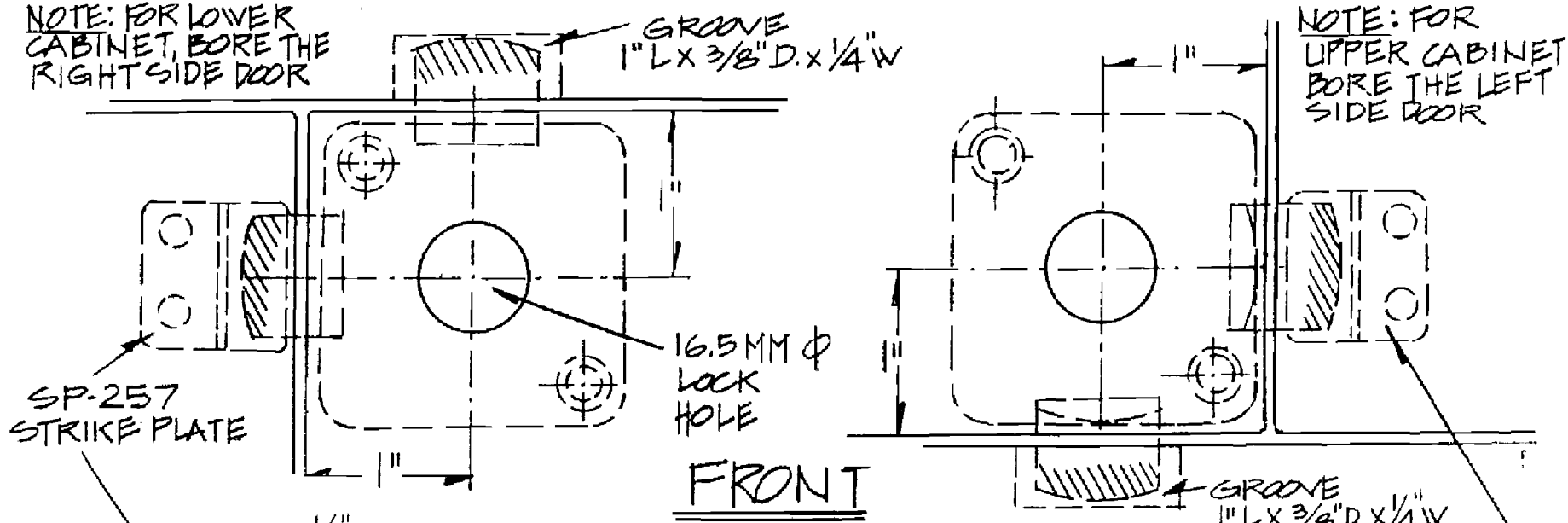
Scale 1:1
Lock shown in LOCKED POSITION.
Materials $3/4$ " unless otherwise shown.
Actual dimensions may vary due to construction details.

1-800-LOCKBAR/www.tlock.us
715 Center St., Grayslake, IL 60030
Copyright 2007 © CompX Security Products

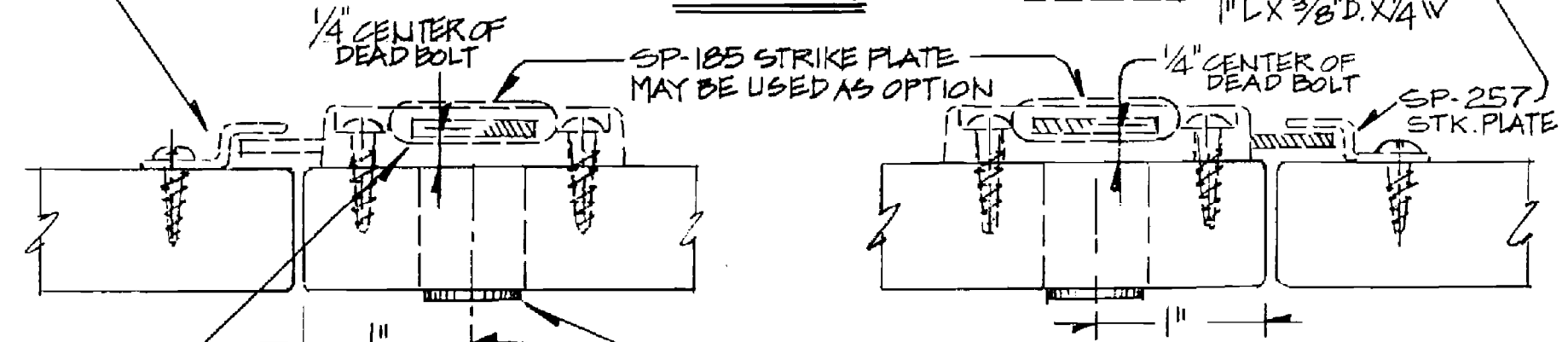


NOTE: FOR LOWER CABINET, BORE THE RIGHT SIDE DOOR

NOTE: FOR UPPER CABINET BORE THE LEFT SIDE DOOR



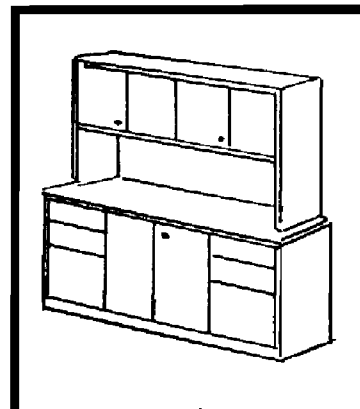
FRONT



CB-250
TYPE 250 CYL. BODY

TOP

LP-300 LOCK PLUG (BLACK)

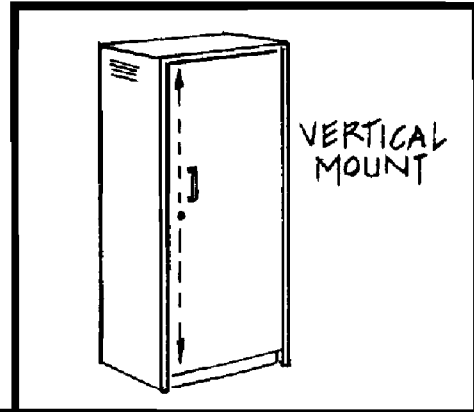
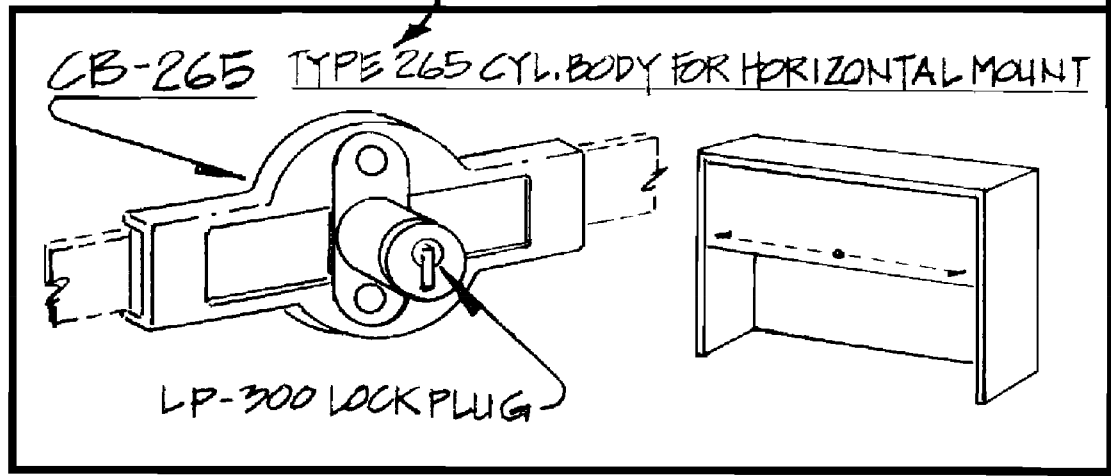
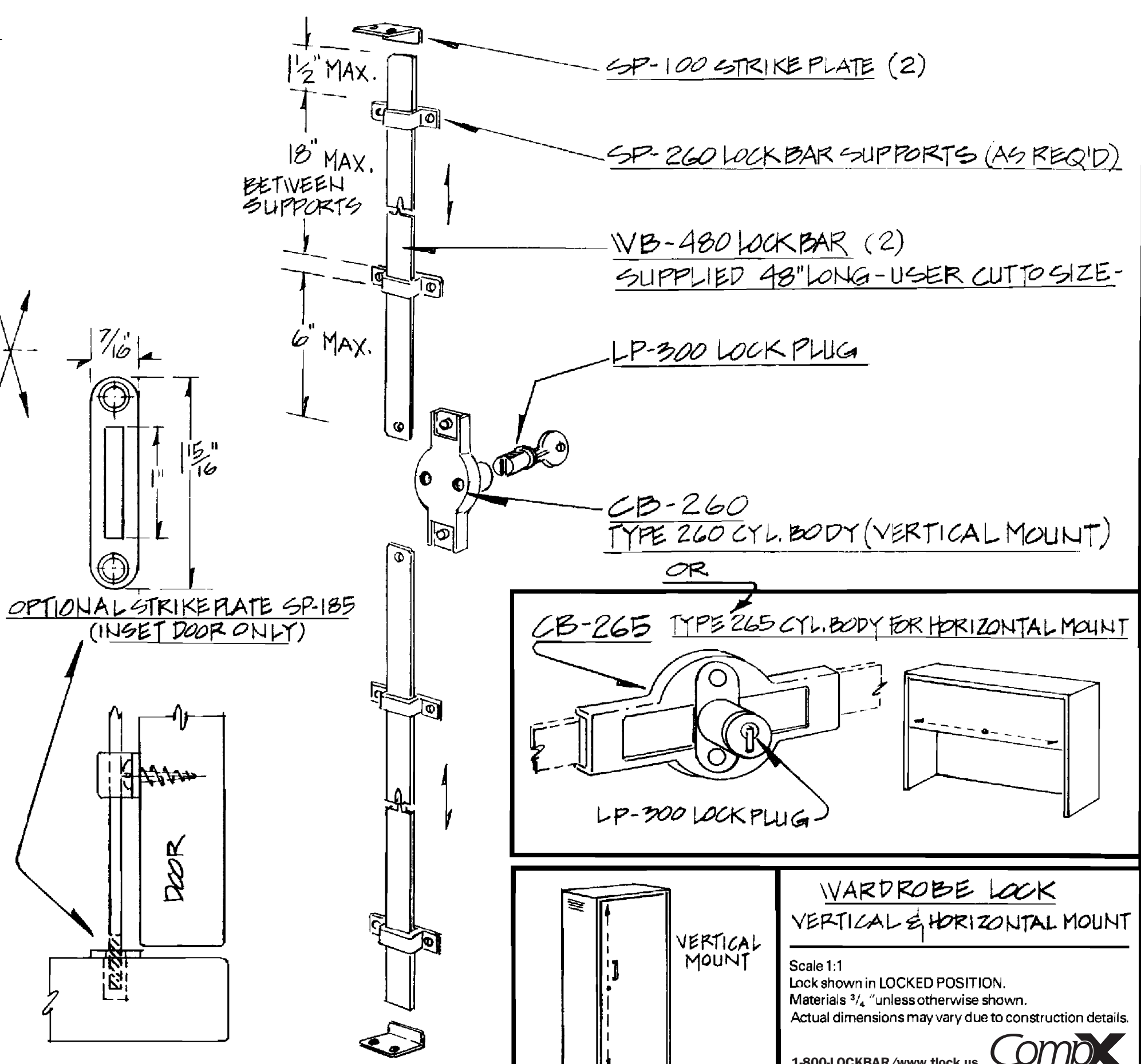
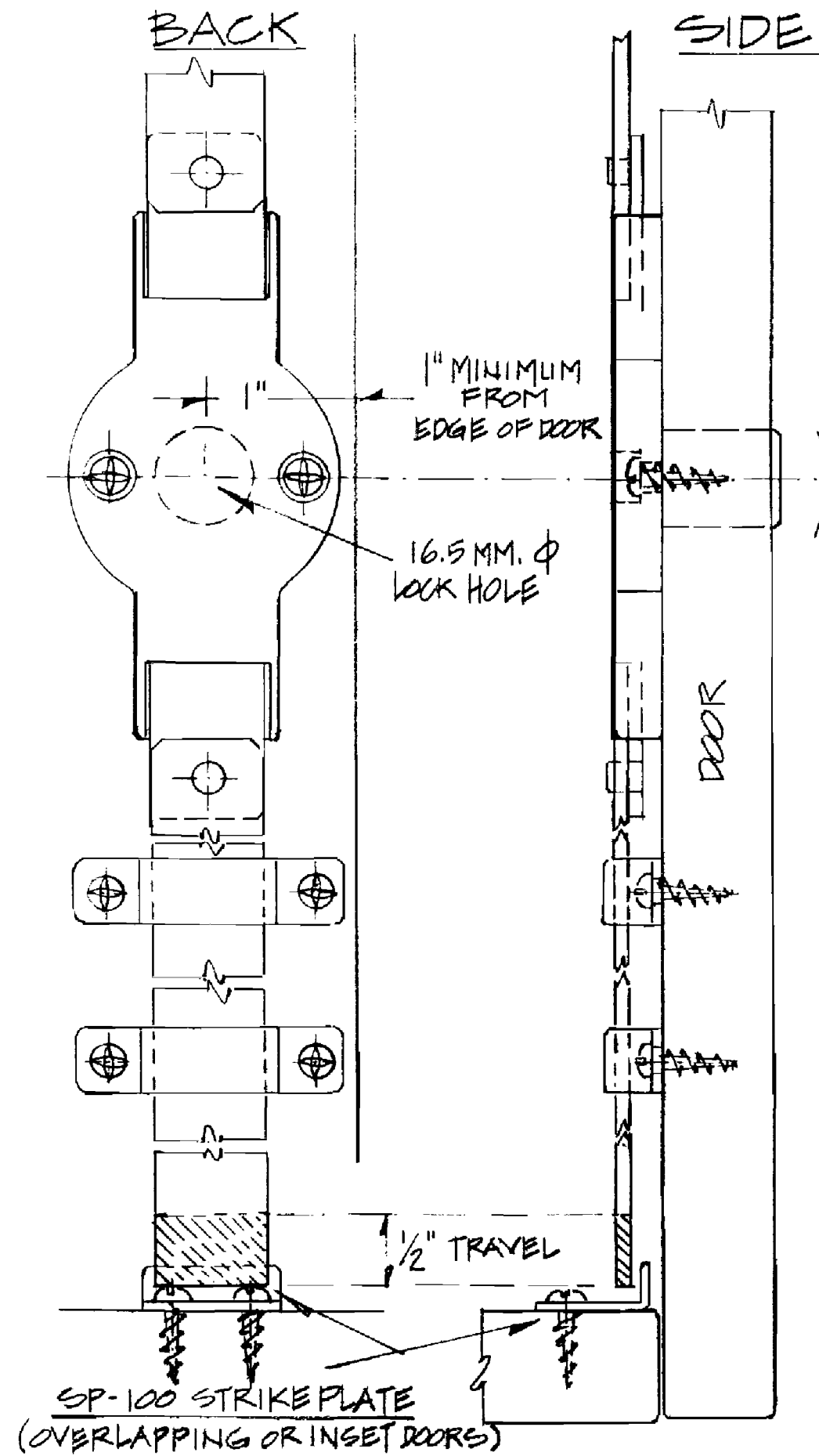


DOUBLE ACTION DEADBOLT
LOCK FOR SIVING DOORS

Scale 1:1
Lock shown in LOCKED POSITION.
Materials 3/4" unless otherwise shown.
Actual dimensions may vary due to construction details.

1-800-LOCKBAR/www.tlock.us
715 Center St., Grayslake, IL 60030
Copyright 2007 © CompX Security Products

CompX
TIMBERLINE

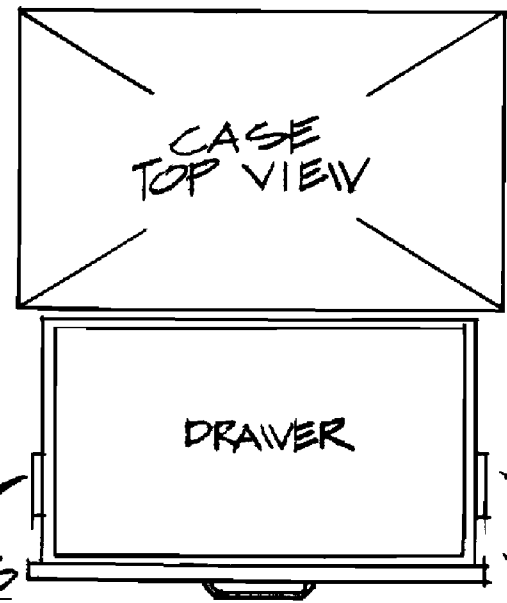


WARDROBE LOCK
VERTICAL & HORIZONTAL MOUNT

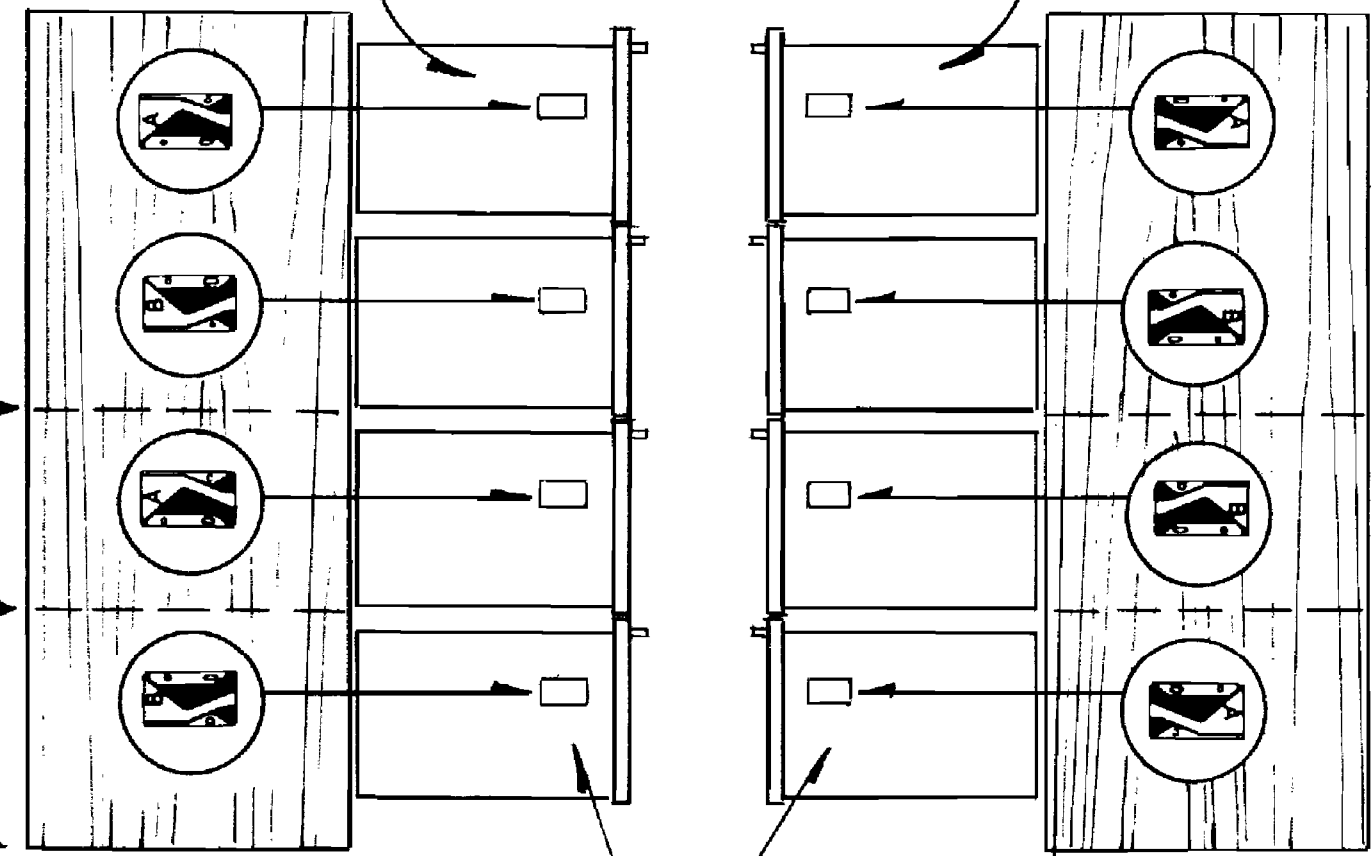
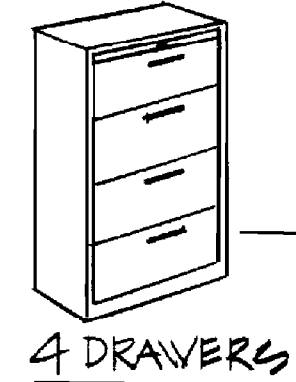
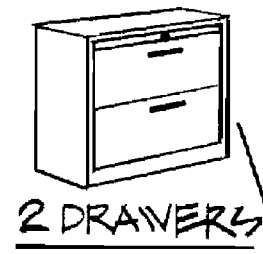
Scale 1:1
 Lock shown in LOCKED POSITION.
 Materials 3/4" unless otherwise shown.
 Actual dimensions may vary due to construction details.

1-800-LOCKBAR/www.tlock.us
 715 Center St., Grayslake, IL 60030
 Copyright 2007 © CompX Security Products

CompX
TIMBERLINE



"LEFT" DRAWER SIDES "RIGHT" DRAWER SIDES



VD-20B-TYPE "B" WEDGE

VD-20A-TYPE "A" WEDGE

NOTE: FOLLOW PATTERN OF WEDGE ("A" & "B") PLACEMENT ON DRAWERS.

STEP #1
ATTACH WEDGES TO DRAWER SIDES AS SHOWN. LOCKBAR SHOULD NOT HAVE ANY PINS IN PLACE.

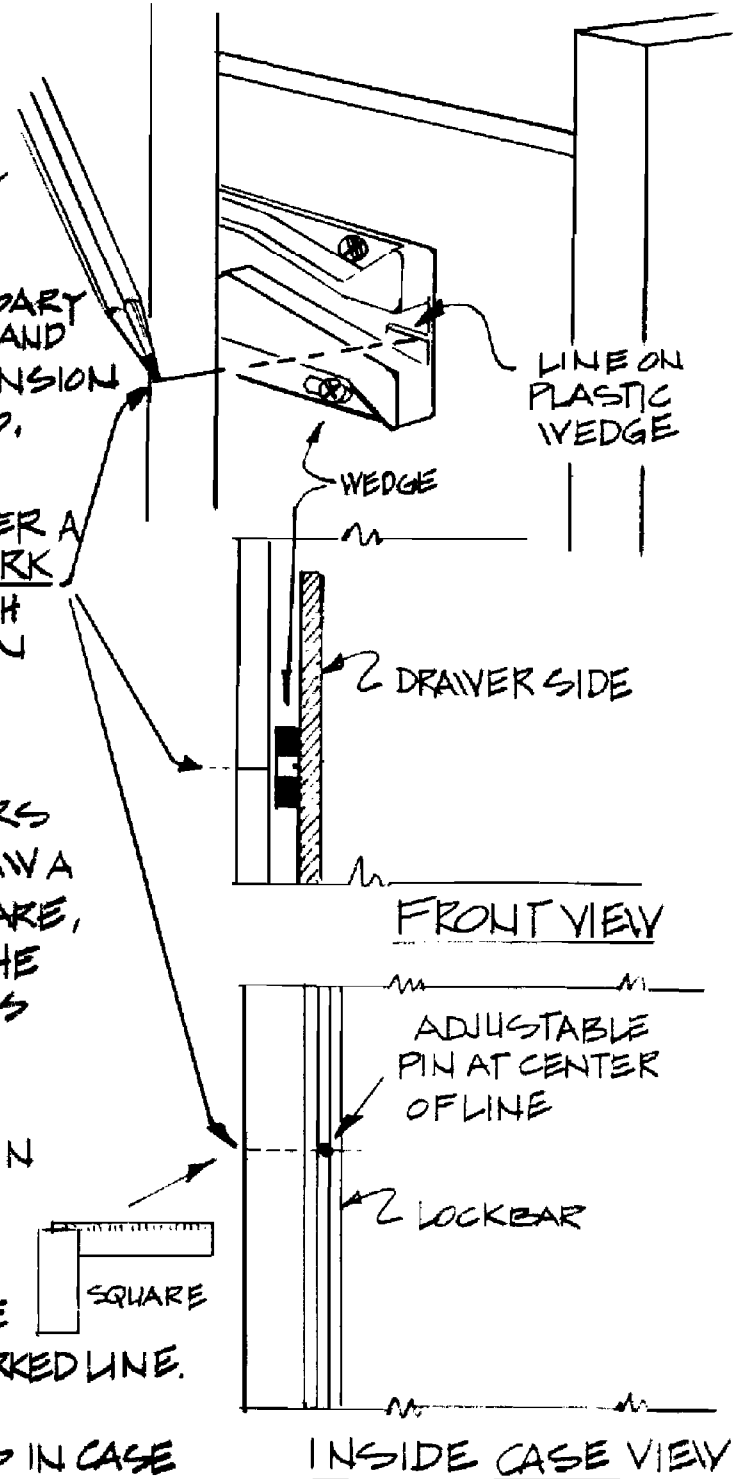
STEP #2
PERFORM ALL NECESSARY FITTING OF DRAWERS AND INSTALL ALL SUSPENSION MOUNTING SCREWS.

STEP #3
PULL OUT EACH DRAWER A FEW INCHES, AND MARK THE CENTER OF EACH WEDGE OPENING ON THE CASE SIDE

STEP #4
REMOVE ALL DRAWERS FROM CASE AND DRAW A LINE, USING A SQUARE, FROM THE MARK ON THE CASE SIDE ACROSS THE LOCKBARS

STEP #5
WITH THE LOCKBARS IN THE MIDDLE (OPEN) POSITION, MOUNT AN ADJUSTABLE PIN ON THE LOCKBARS IN THE CENTER OF EACH MARKED LINE.

STEP #6
REINSTALL DRAWERS IN CASE

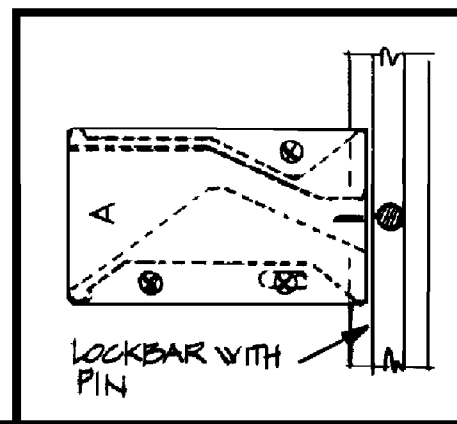


FRONT VIEW

ADJUSTABLE PIN AT CENTER OF LINE

2 LOCKBAR

INSIDE CASE VIEW

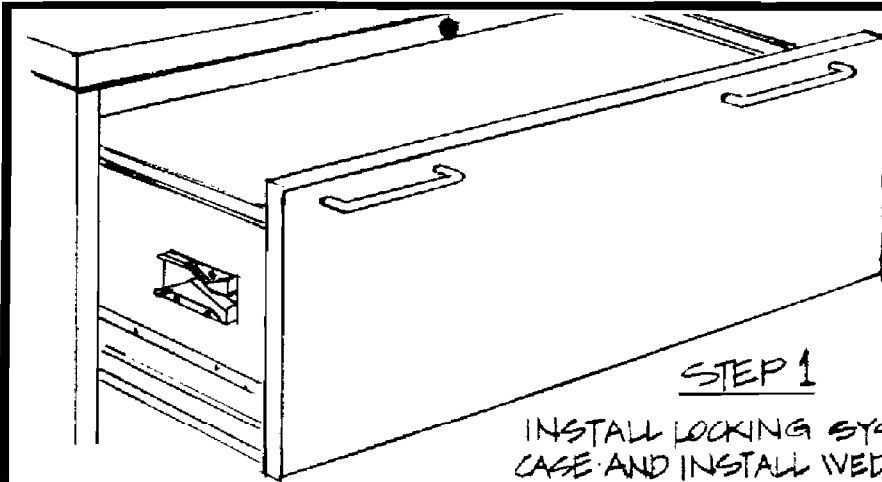


WEDGE INSTALLATION AND ALIGNMENT

DRAWINGS NOT TO SCALE
DRAWER SUSPENSIONS NOT SHOWN

1-800-LOCKBAR/www.tlock.us
715 Center St., Grayslake, IL 60030
Copyright 2007 © CompX Security Products

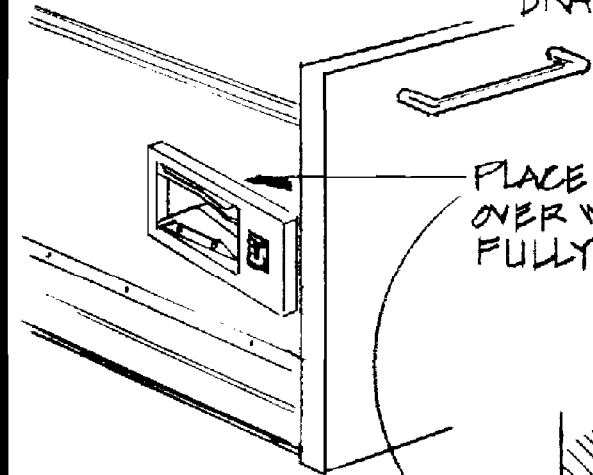




STEP 1

INSTALL LOCKING SYSTEM IN CASE AND INSTALL WEDGES ON THE DRAWER SIDES

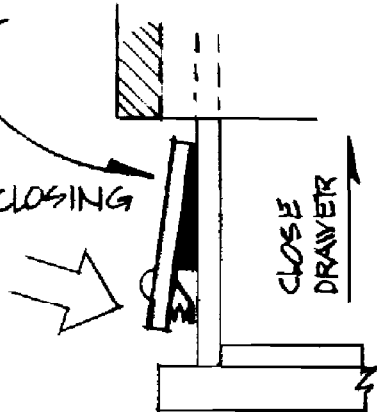
- DO NOT INSTALL PINS FOR DRAWERS AT THIS TIME -



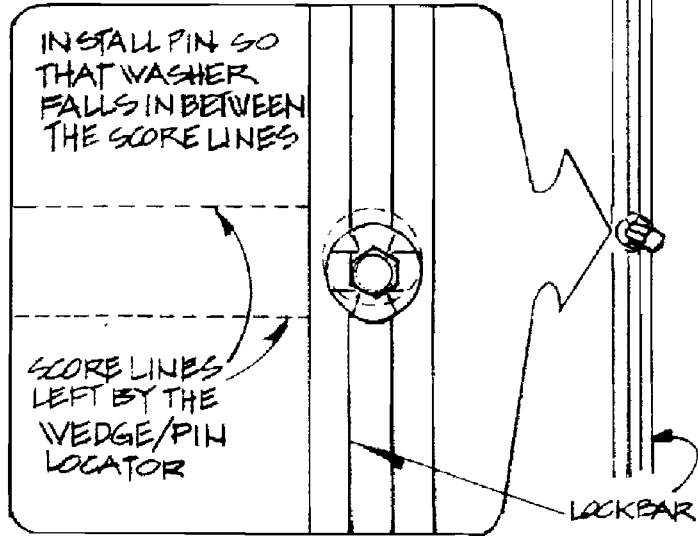
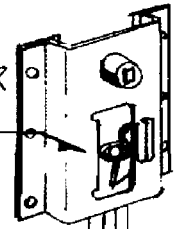
STEP 2-

PLACE WEDGE/PIN LOCATOR OVER WEDGES AS SHOWN AND FULLY CLOSE DRAWERS

PUSH DOWN WHILE CLOSING TO AVOID MARKING THE END PANEL (TOP VIEW)



STEP 3
REMOVE ALL DRAWERS FROM THE CASE, AND MOVE LOCKBAR TO THE CENTER POSITION AND INSTALL PINS AS SHOWN

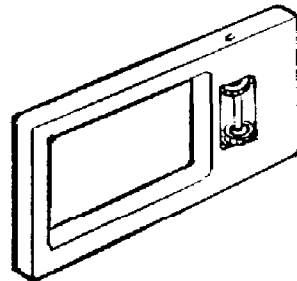


INSTALL PIN SO THAT WASHER FALLS IN BETWEEN THE SCORE LINES

SCORE LINES LEFT BY THE WEDGE/PIN LOCATOR

LOCKBAR

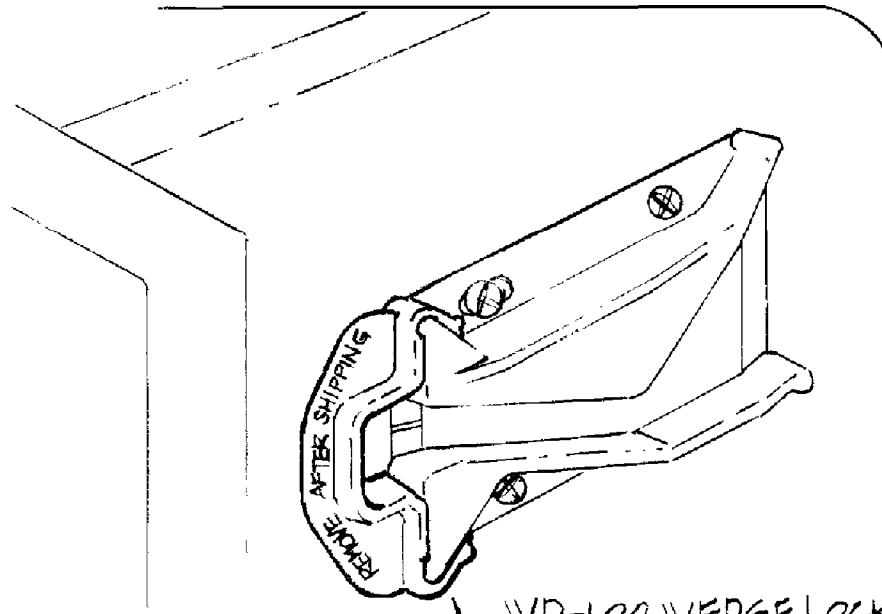
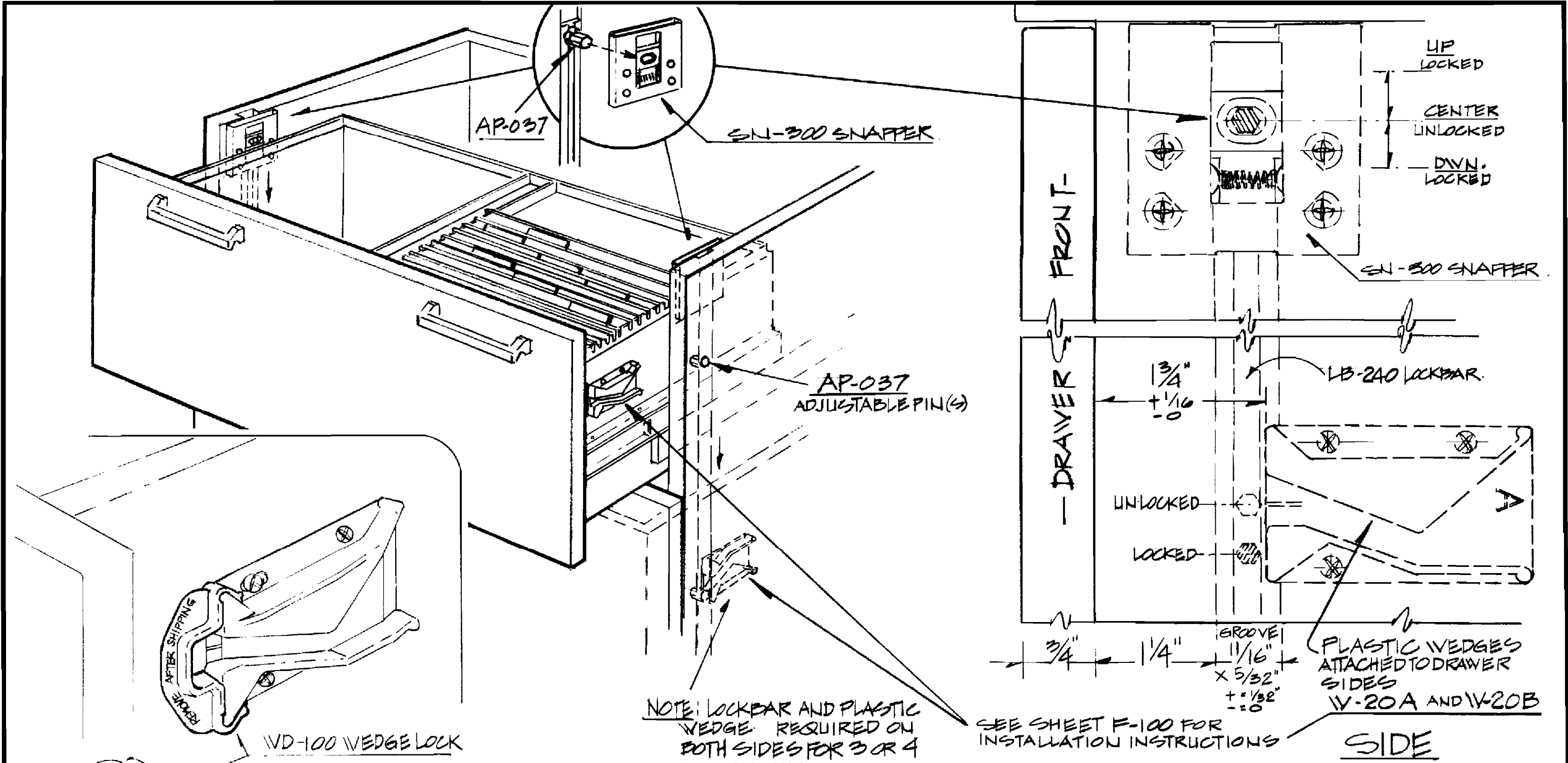
TIP - FOR BEST RESULTS INSTALL THE PIN SO THAT THE WASHER JUST TOUCHES THE BOTTOM SCORE LINE - THIS WILL ALLOW THE DRAWER TO SAG WITHOUT FALLING OUT OF ADJUSTMENT



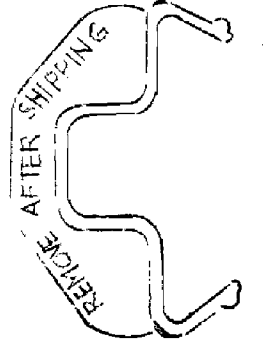
WEDGE/PIN LOCATOR

1-800-LOCKBAR/www.tlock.us
715 Center St., Grayslake, IL 60030
Copyright 2007 © CompX Security Products

CompX
TIMBERLINE



WD-100 WEDGE LOCK

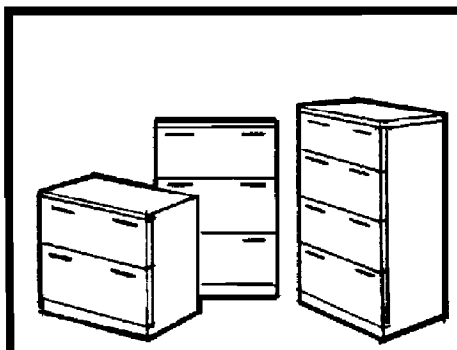


THE WD-100 WEDGE LOCK SLIPPED OVER THE WEDGE(S) ON THE TOP DRAWER, PROVIDES ABSOLUTE PREVENTION OF ANTI-TIP SYSTEM JAMMING DURING SHIPPING. WEDGE LOCK MUST BE REMOVED BEFORE NORMAL OPERATION OF THE LATERAL FILE.

- IF WEDGE LOCK IS NOT USED, ACCESS TO LOCKBAR MUST BE PROVIDED AT BOTTOM OF CASE TO ALLOW LOCKBAR TO BE "RESET" TO OPEN POSITION.

NOTE: LOCKBAR AND PLASTIC WEDGE REQUIRED ON BOTH SIDES FOR 3 OR 4 DRAWER UNITS. 2 DRAWER UNIT MAY BE SINGLE SIDED.

SEE SHEET F-100 FOR INSTALLATION INSTRUCTIONS

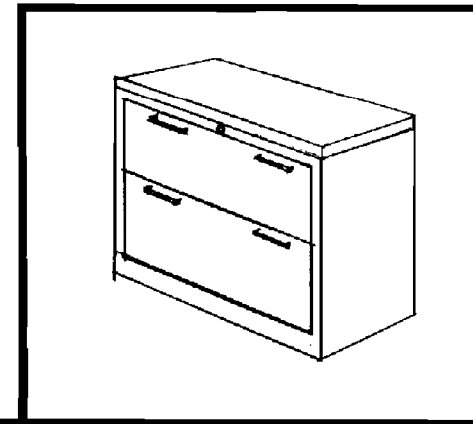
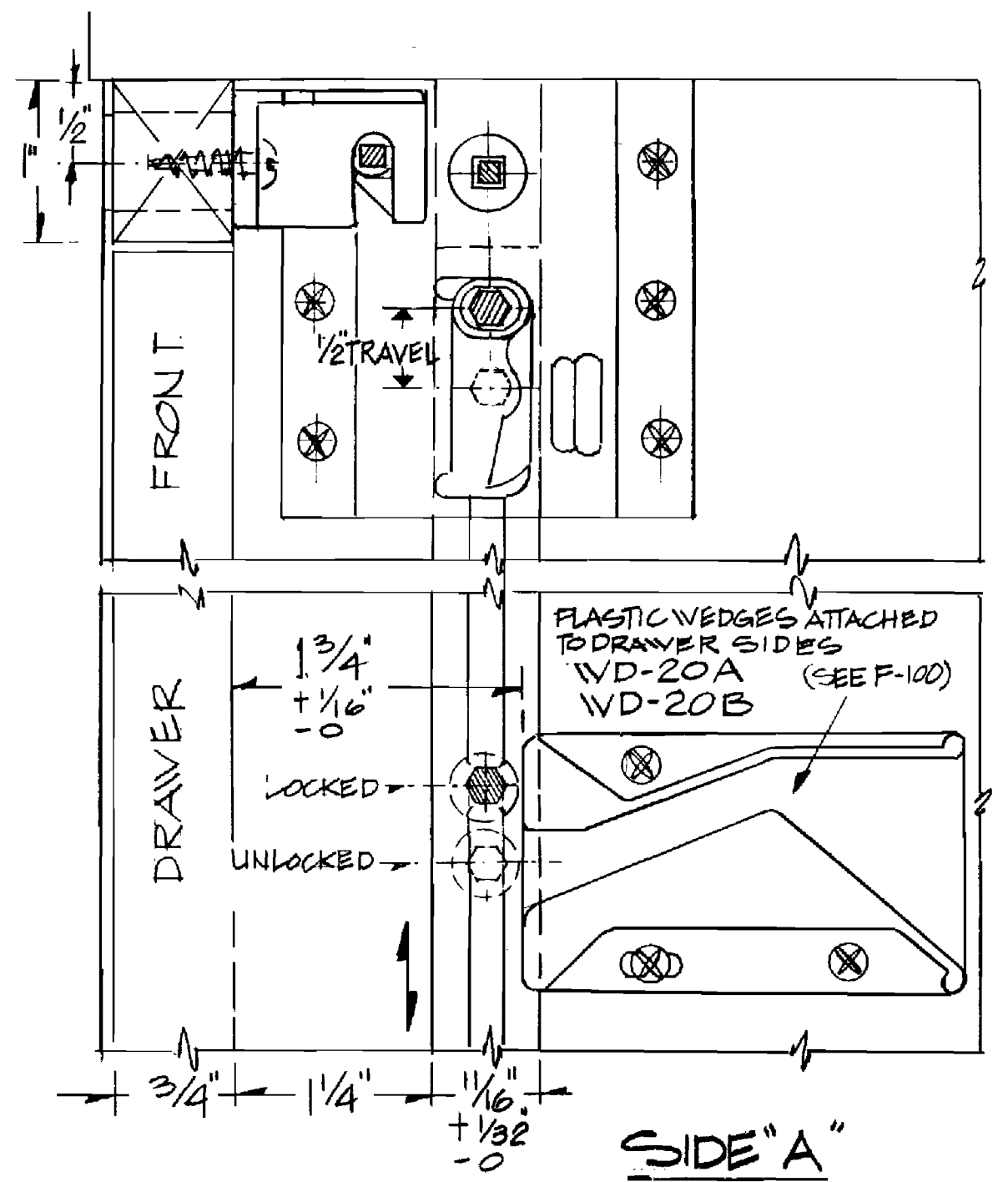
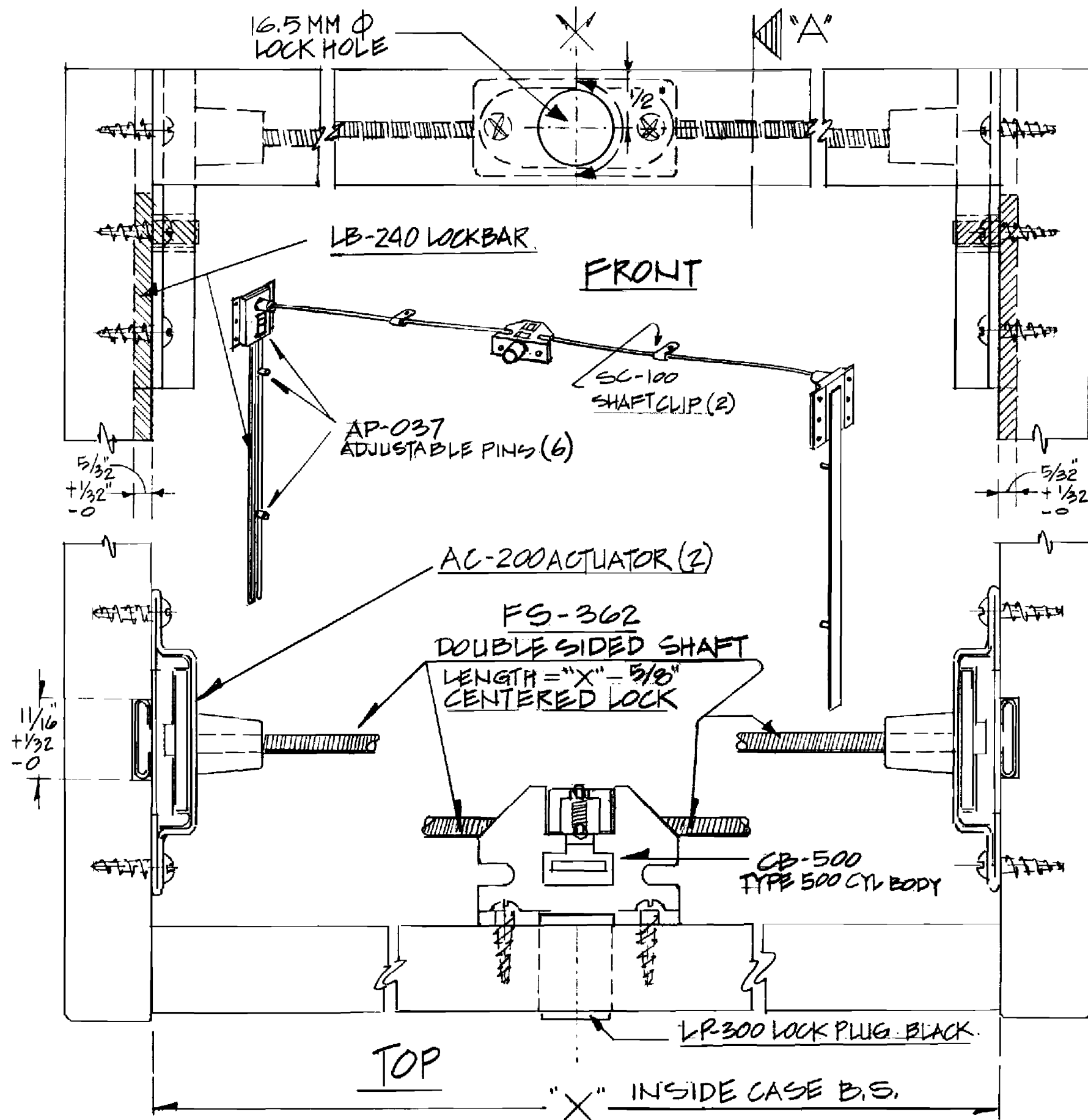


**LATERAL FILE
ANTI-TIP/INTERLOCK
(NO LOCK)**

Scale 1:1
Lock shown in LOCKED POSITION.
Materials 3/4" unless otherwise shown.
Actual dimensions may vary due to construction details.

1-800-LOCKBAR/www.tlock.us
715 Center St., Grayslake, IL 60030
Copyright 2007 © CompX Security Products





**LATERAL FILE LOCK/INTERLOCK
LOCK MOUNTED IN TOP RAIL**

Scale 1:1
Lock shown in LOCKED POSITION.
Materials 3/4" unless otherwise shown.
Actual dimensions may vary due to construction details.

1-800-LOCKBAR/www.tlock.us
715 Center St., Grayslake, IL 60030
Copyright 2007 © CompX Security Products

