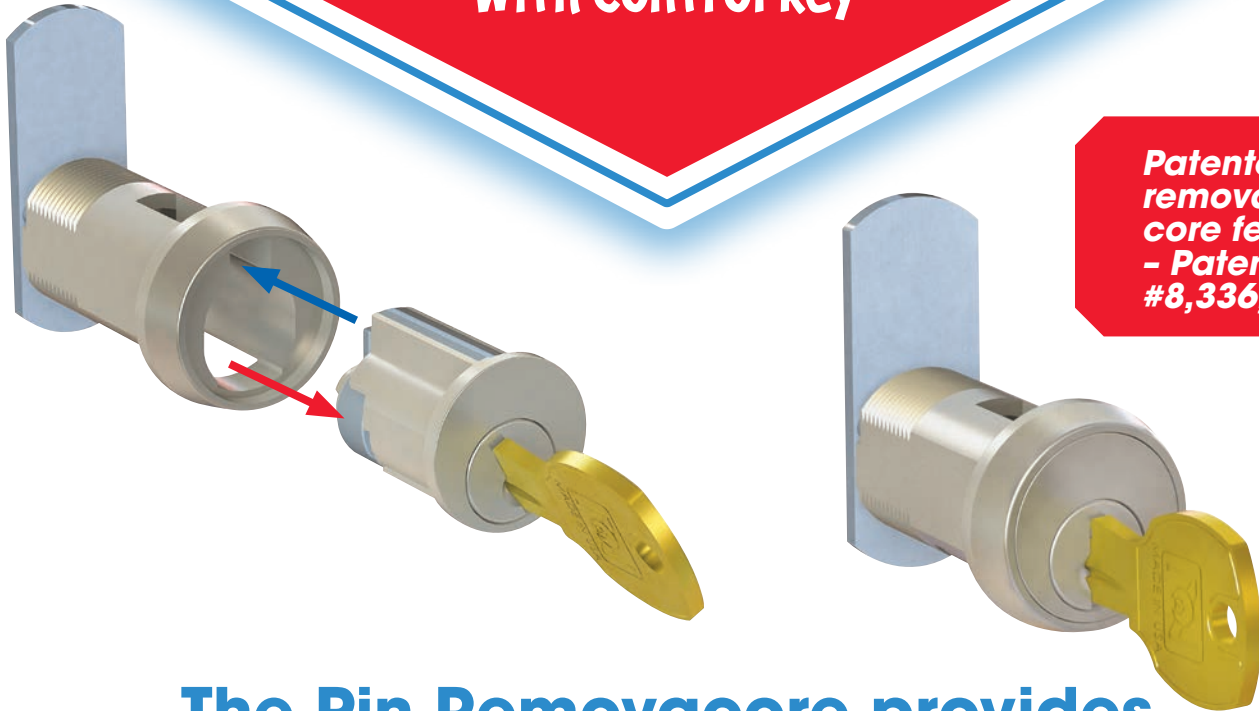


NEW! PIN REMOVACORE

Easily remove / insert lock core
with control key



**Patented
removable
core feature
- Patent
#8,336,348**

The Pin Removacore provides premier features and benefits:

Flexibility to buy locks as complete set or buy cores separate

- ◆ Stock outer cylinder and cams then buy cores per key schedule or per job
- ◆ Allows for quick replacement when security is compromised without disassembling the lock
- ◆ Ship furniture faster and field install cores with control key

Complies with existing architect specifications for pin cam locks

- ◆ Available in 4 or 5 pin
- ◆ keyed alike, keyed different, master and grand master keying
- ◆ Up to 7500 keyed different codes available depending on 4 or 5 pin and master keying

CompX
NATIONAL

Made
in the
USA
with American
components

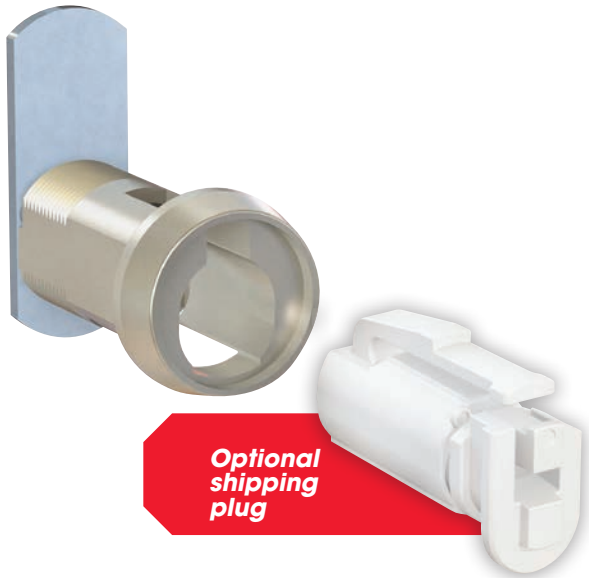
**WOODWORK
INSTITUTE**

For more information, call **864.297.6655**

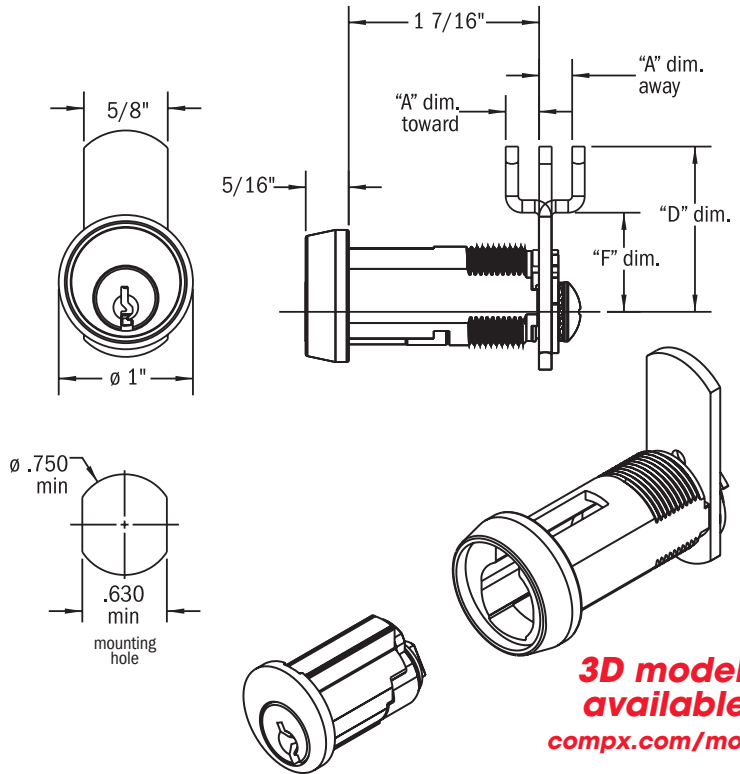
Copyright 2018 © CompX Security Products / compx.com

Any companies and/or products referred to herein are marks or registered trademarks of their respective companies, owners and/or mark holders.

NEW! PIN REMOVACORE



Optional shipping plug



3D models available:
compX.com/models

Ideal for a variety of markets and applications:

- Institutional furniture for universities, schools, and laboratories
- Office furniture
- Lockers
- Exhibit displays
- Banking
- Cabinet shops
- Tool boxes

Application for flush or lipped/overlay construction for both right and left hand doors and drawers – specify door or drawer and clockwise or counter clockwise rotation

- ◆ Available in four or five pin tumblers
- ◆ Available in keyed alike, keyed different, master and grand master keyed
- ◆ Available in satin (US15A) or bright nickel (US14A), dull chrome (US26D), or brass finishes (US4)
- ◆ Cylinder length: 1-7/16" – use above diagram for cam specification

CompX
NATIONAL

Made in the USA
with American components

Associate Member
WOODWORK INSTITUTE

For more information, call **864.297.6655**

Copyright 2018 © CompX Security Products / compX.com
Any companies and/or products referred to herein are marks or registered trademarks of their respective companies, owners and/or mark holders.