



C8010-18
matte black



C8010-15
*brushed
satin nickel*

C8010-14A
*bright nickel
finish also
available*

NEW!
C8010

Padlockable cam lock

The new C8010 has a cylinder length of 1-7/16" for material thickness of up to 1-1/8."

The C8010 can accept padlocks with shackle up to 3/8" in diameter (5/16" shackle is recommended). Available in two finishes. Box quantity is 10.

For more information, call **864.297.6655** or visit **compX.com**.

**STOCK®
LOCKS**

- APPLICATION:**
For cabinet doors or drawers, lockers, anywhere padlocks are used. For overlay application, the combined thickness of front and frame cannot exceed the cylinder length.
- OPERATION:**
Choice of either 90° clockwise or counterclockwise using rotation stop.
- PACKAGING:**
Supplied with FlexaCam spacers, mounting plate for wood installation, one cam, detent washer, one rotation stop and mounting hardware. **Padlock NOT included.**

Padlockable cam lock

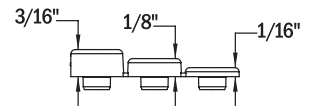
STOCK LOCKS

NEW!
C8010

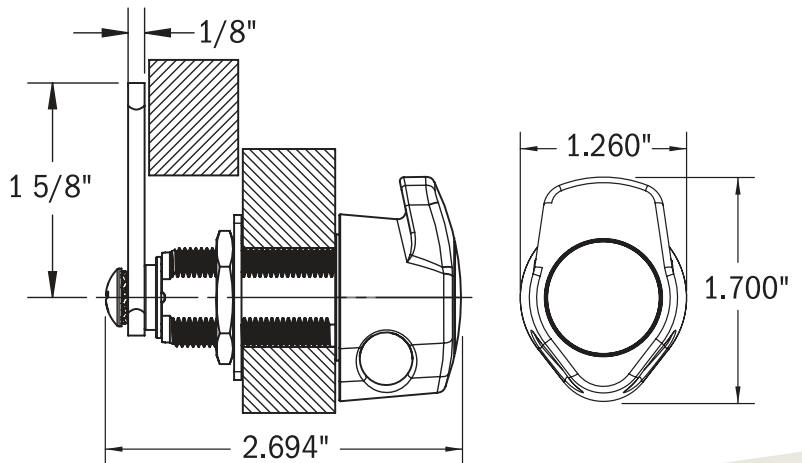
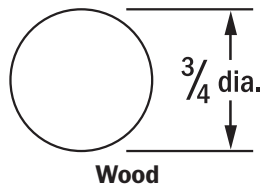
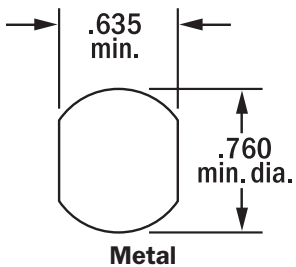
C8010 features **FlexaCam™**

Ensure a proper fit.

Three spacers offer three thicknesses - providing up to 12 different dimensional variations.



Mounting hole dimensions



CompX
NATIONAL

Made
in the
USA
with American
components

Reorder #: F2644-018

Copyright 2019 © CompX Security Products

Any companies and/or products referred to herein are marks or registered trademarks of their respective companies, owners and/or mark holders.