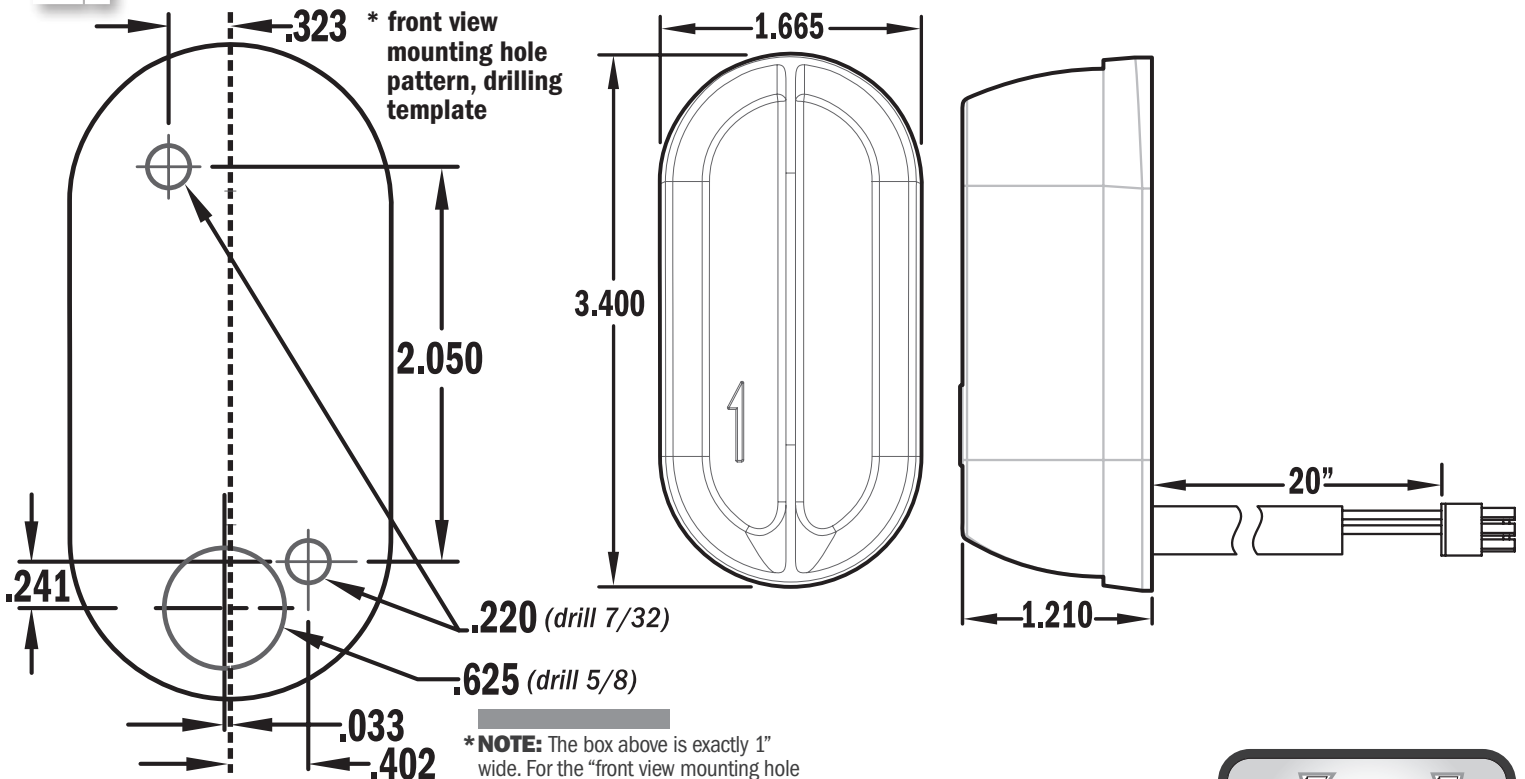


Dimensions/Mounting CompX eLock® Pods

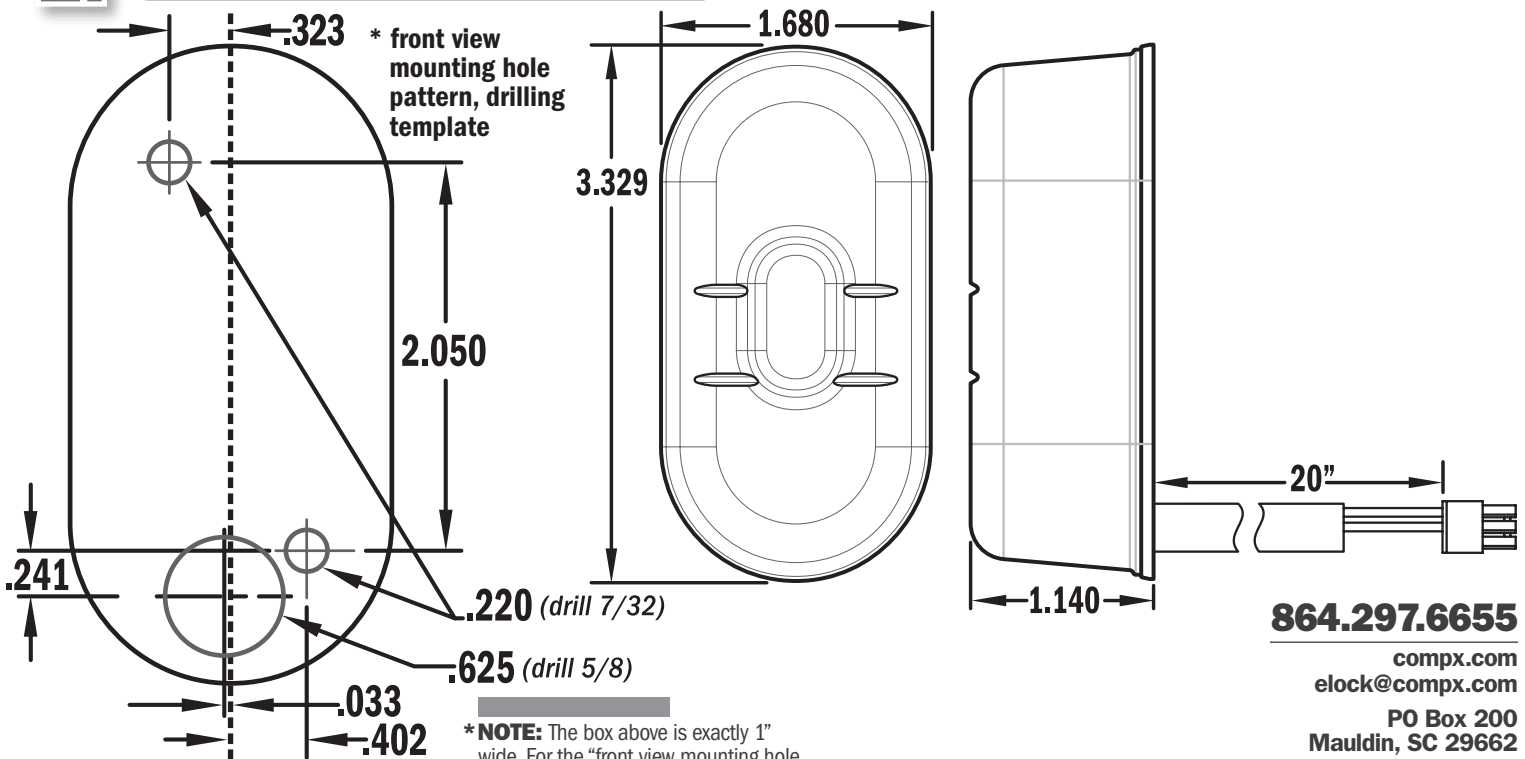
CompX eLock®

Option 1: Mounting a magstripe card reader pod



eLock
TECHNICAL HOTLINE
847-752-2525
M-F: 8 a.m.-5 p.m. Central

Option 2: Mounting a proximity card reader pod



864.297.6655

compX.com
elock@compX.com

PO Box 200
Mauldin, SC 29662

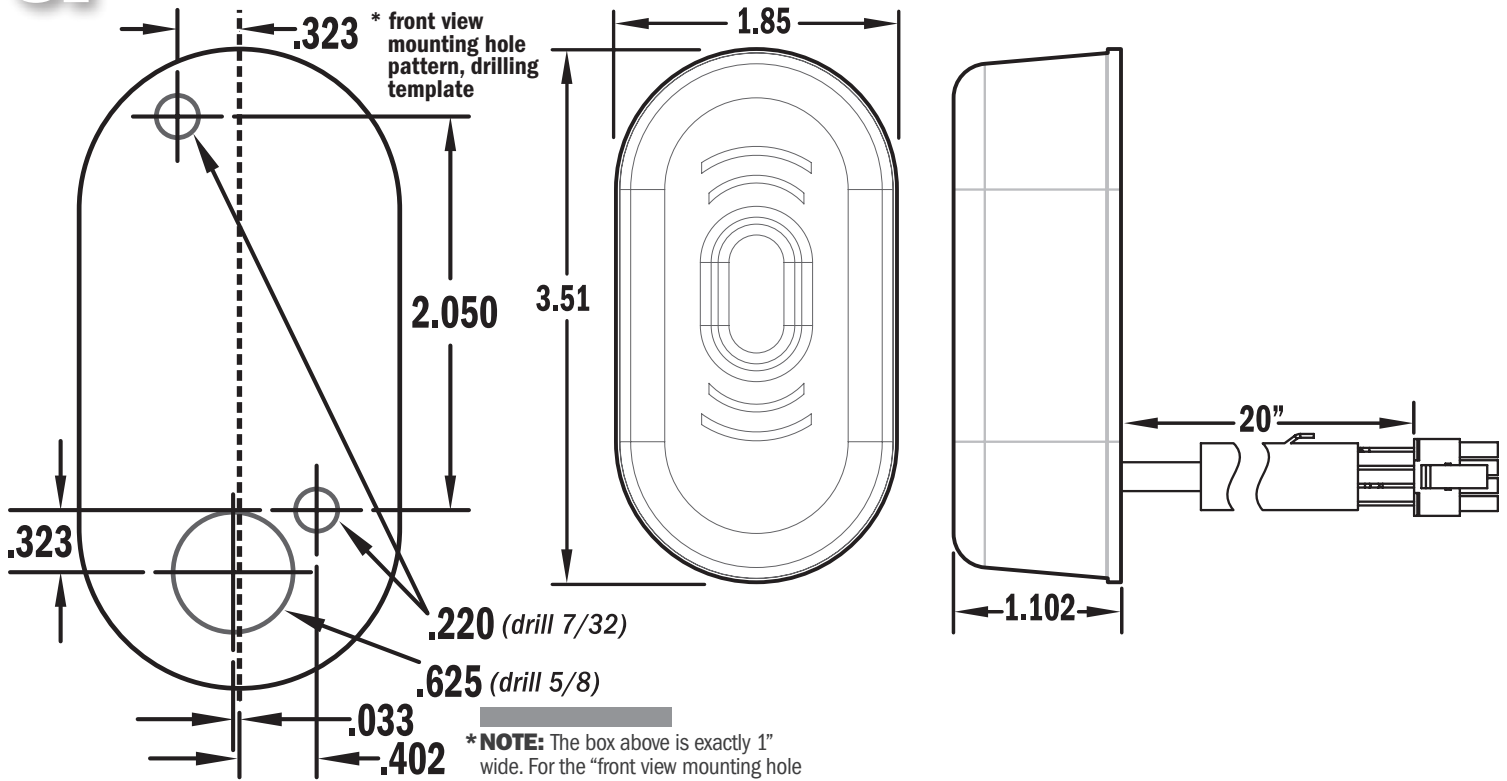
Dimensions/Mounting CompX eLock® Pods

CompX eLock®

Option

3

Mounting an iCLASS card reader pod



***NOTE:** The box above is exactly 1" wide. For the "front view mounting hole pattern, drilling template" ONLY, use the box to scale up or down your measurements.



864.297.6655

compX.com
elock@compX.com

PO Box 200
Mauldin, SC 29662

Copyright © 2013 CompX Security Products