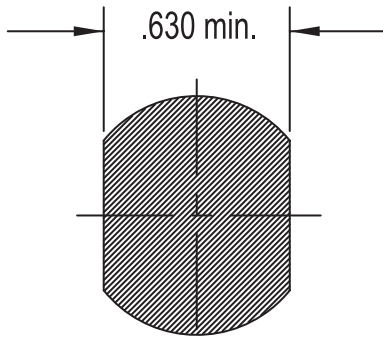
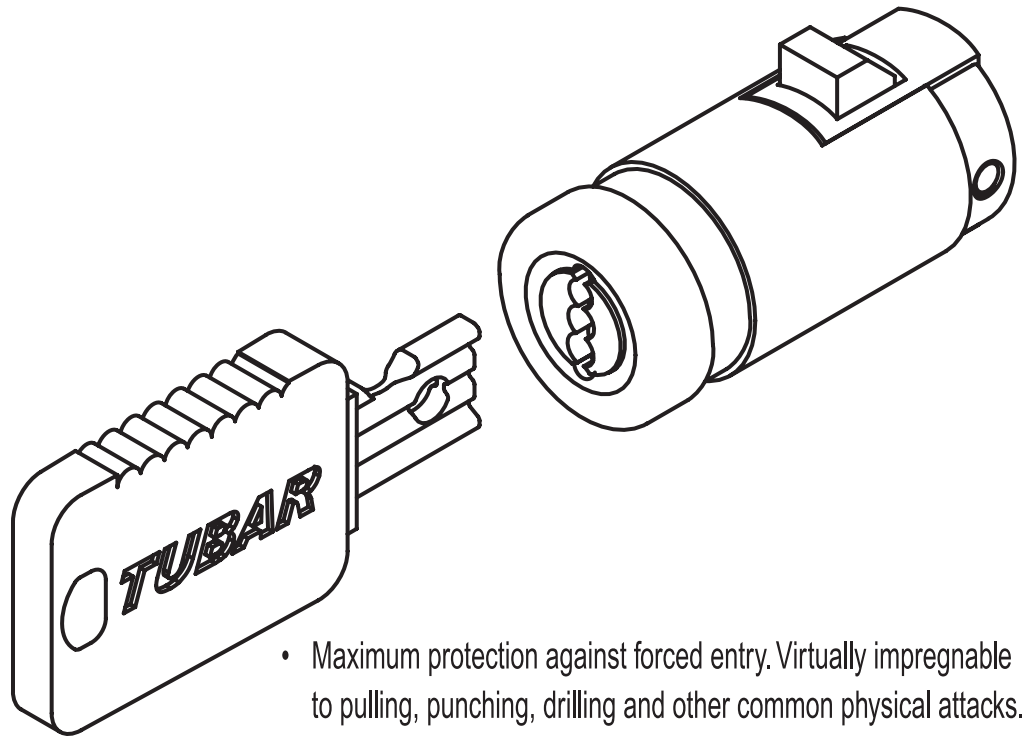
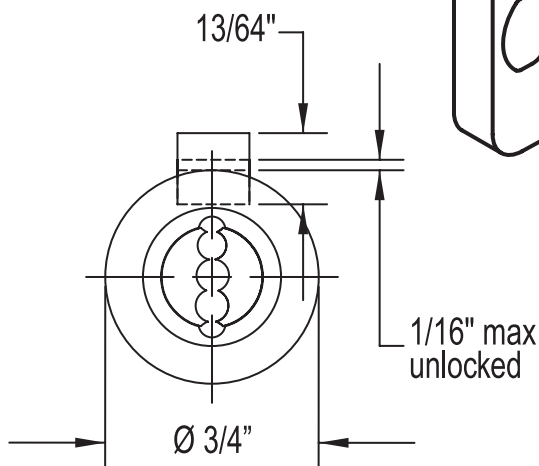


## TUBAR 1C-12L HIGH SECURITY INNER CYLINDER



Recommended mounting hole



- Maximum protection against forced entry. Virtually impregnable to pulling, punching, drilling and other common physical attacks.
- Registered key series for each customer.
- Unique key with no key blanks or key machines commercially available.
- Additional 1C-12L inner cylinder features:
  - Completely redesigned for additional strength and to resist pulling attempts.
  - Improved hardened steel barrel and composite keyway assures maximum protection from vandal attacks.
  - New user-friendly key design will accommodate all TuBAR cylinders in the field.
  - Keys sold separately. Factory re-keyable.
  - Patented dual side bar mechanism provides the ultimate in resistance to surreptitious entry.
  - Patented keyway for maximum key control.

