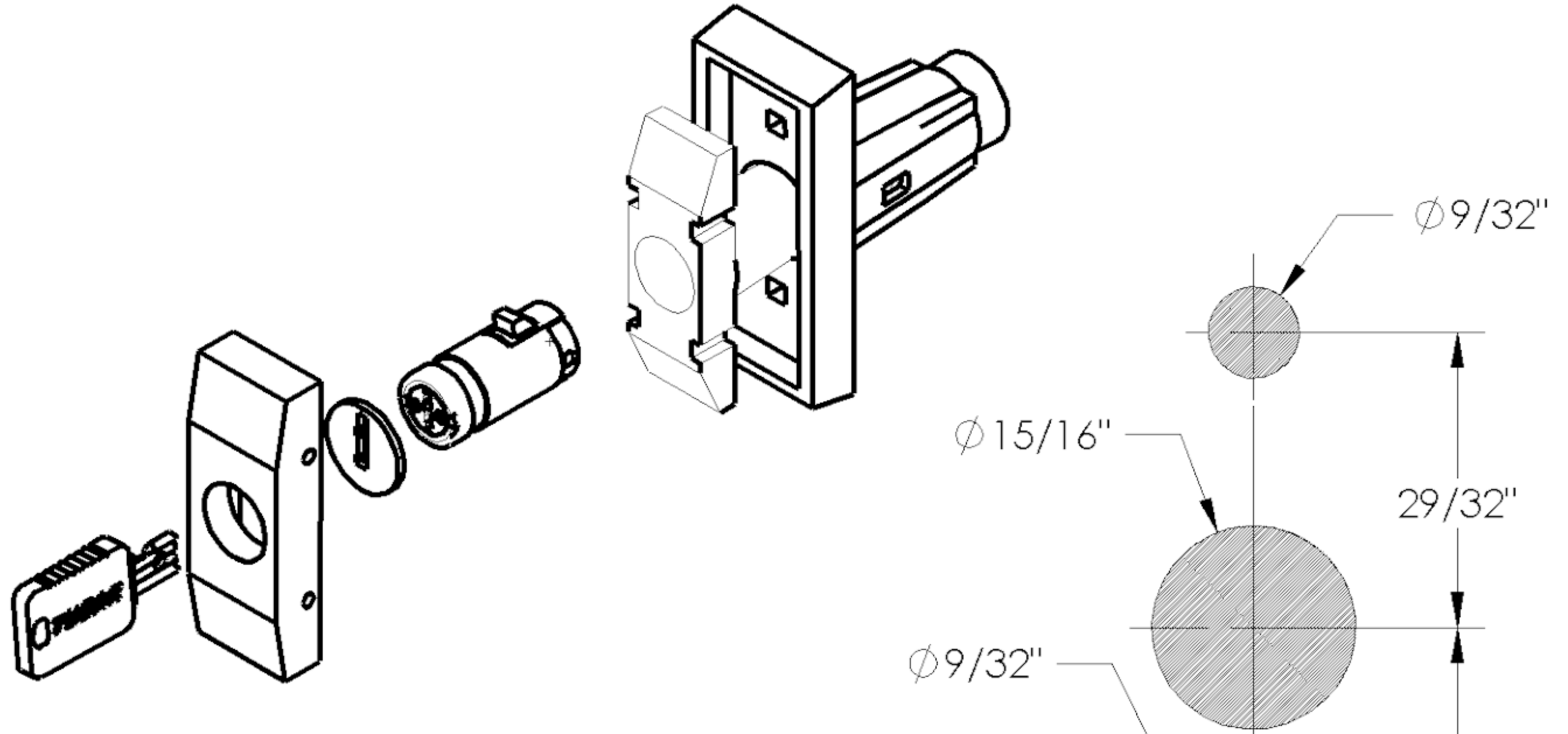


STAINLESS STEEL "T" HANDLE & FLANGE ASSEMBLY



- DESIGNED FOR THE TOUGHEST APPLICATIONS THAT REQUIRE PROTECTION OF CASH OR OTHER VALUABLES.
- HANDLES AND HOUSINGS ARE MAXIMUM TOUGH 300 SERIES STAINLESS STEEL.
- HARDENED STEEL PROTECTIVE PLATES MAKE YOUR CHOICE OF LOCKING CYLINDERS VIRTUALLY IMPREGNABLE.
- EASY TO RETROFIT ENTIRE "T" HANDLE ASSEMBLIES THAT CONFORM TO NAMA DIMENSIONAL SPECIFICATIONS.
- FOR OEM USE.

RECOMMENDED MOUNTING HOLES

