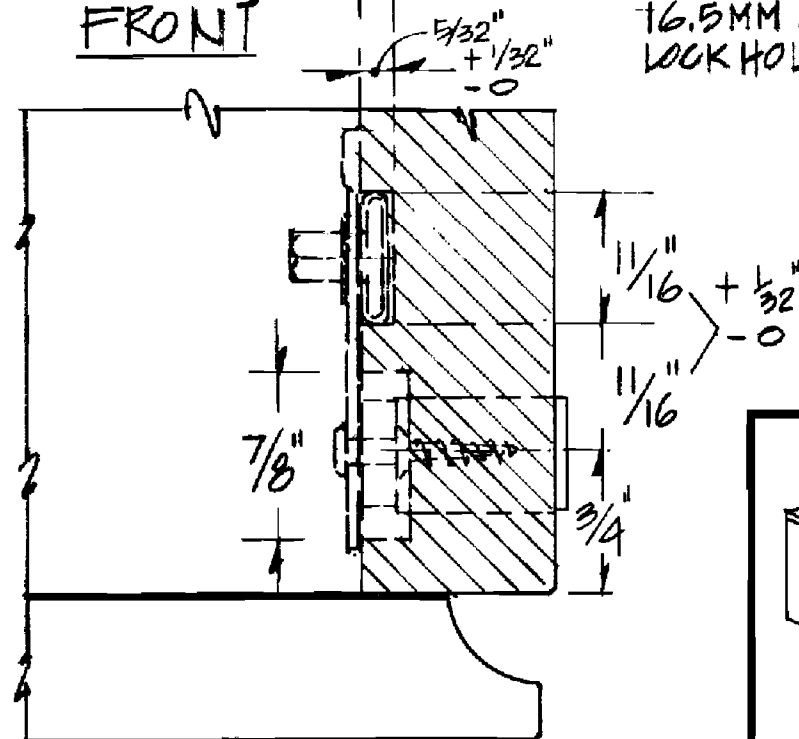
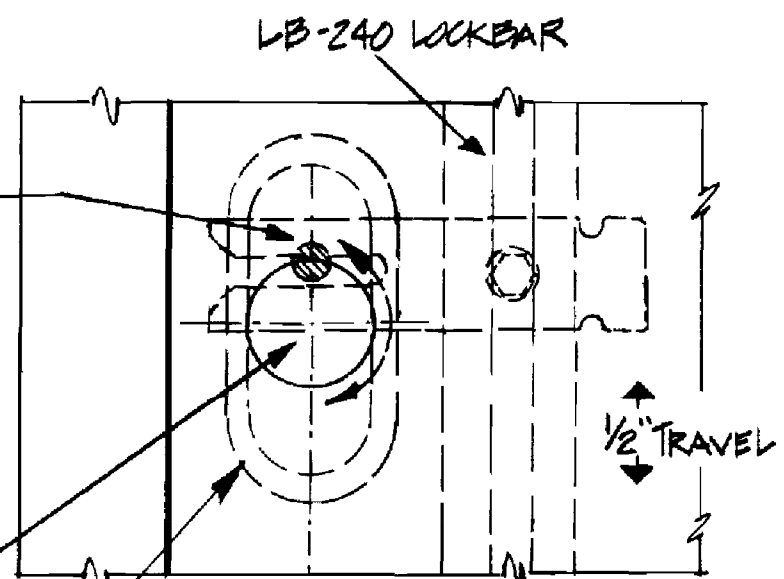


FRONT



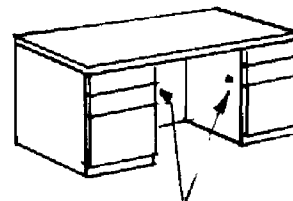
TOP



SIDE

LOCK POCKET
 ROUT-CUT $\frac{7}{8}$ " L x $\frac{7}{8}$ " W x $\frac{1}{4}$ " $+\frac{1}{32}$ " D.

16.5MM Φ
 LOCK HOLE



LOCKS

SIDE GANG LOCK LOCK MOUNTED IN 1" THICK PANEL

Scale 1:1

Lock shown in LOCKED POSITION.

Materials $\frac{3}{4}$ " unless otherwise shown.

Actual dimensions may vary due to construction details.

1-800-LOCKBAR/www.tlock.us
 715 Center St., Grayslake, IL 60030
 Copyright 2007 © CompX Security Products

CompX
 TIMBERLINE