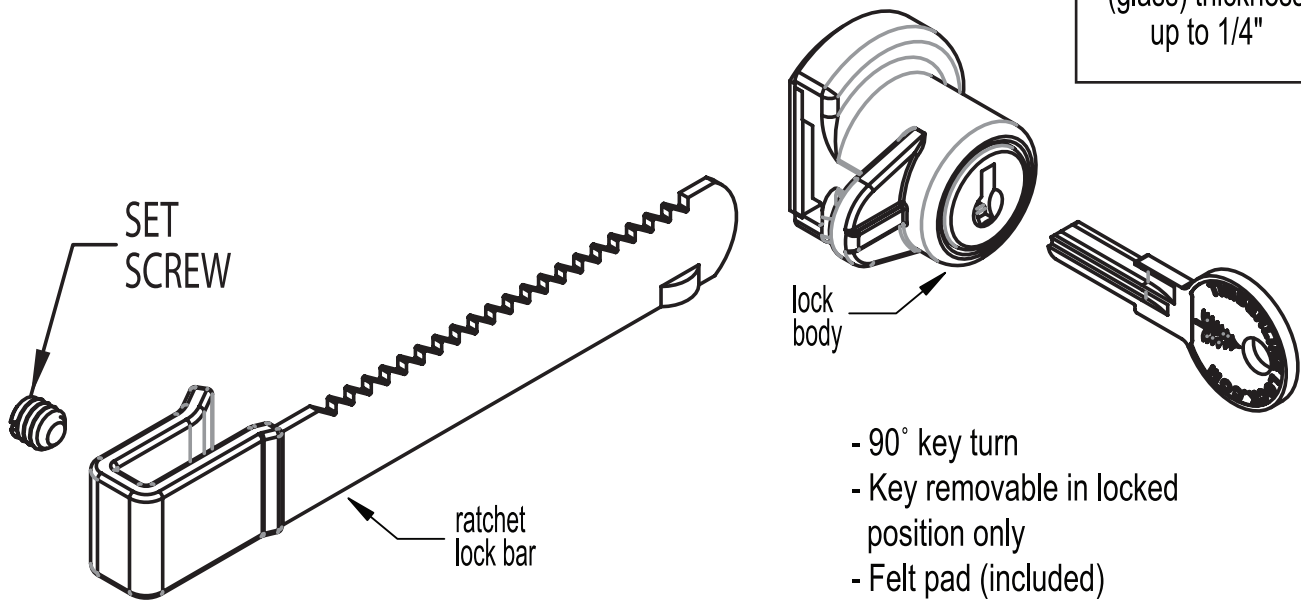


C380SG Glass showcase lock

For material
(glass) thickness
up to 1/4"



- 90° key turn
- Key removable in locked position only
- Felt pad (included) to be applied to back of lock body
- Lock core not removable

