

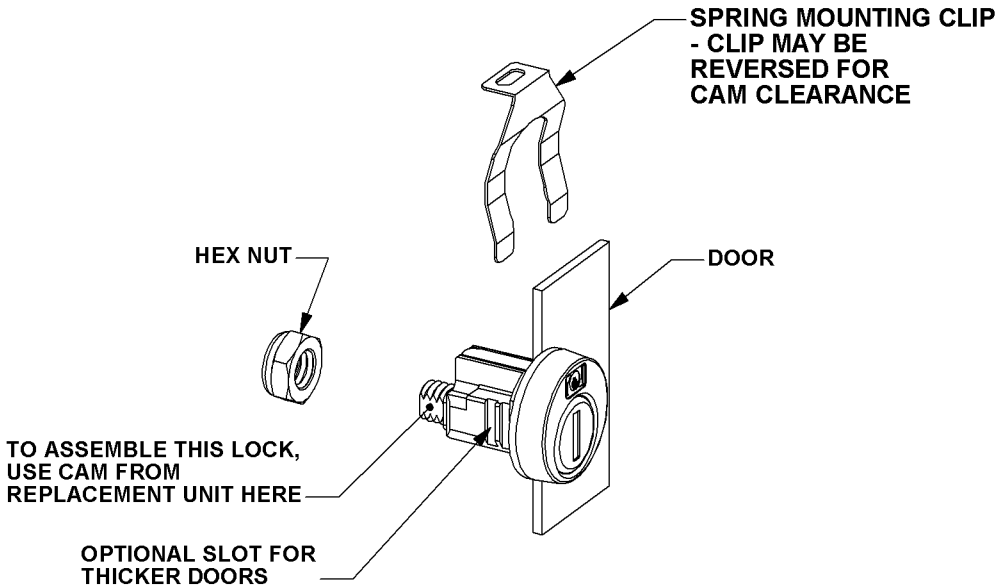
STOCK[®] LOCKS

Manufactured by

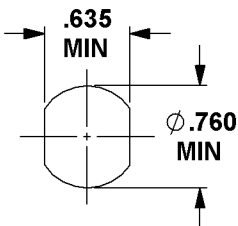
**NATIONAL
CABINET LOCK[®]**

C8732 MAIL BOX LOCK

- 5 PIN TUMBLER
- 90° CLOCKWISE
- DUSTSHUTTER



CYLINDER MOUNTING HOLE DIMENSIONS



NOTE: KEY MAY NOT REMOVE
PROPERLY IF CAM IS NOT ATTACHED.

THIS LOCK MEETS U.S.P.S.
SPECIFICATION #L-1172 AND
DRAWING #1003833 FOR
NDCBU AND CBU APPLICATIONS.

IF NEEDED, U.S.P.S. APPROVED
STAINLESS STEEL CAMS ARE
AVAILABLE FROM YOUR
DISTRIBUTOR