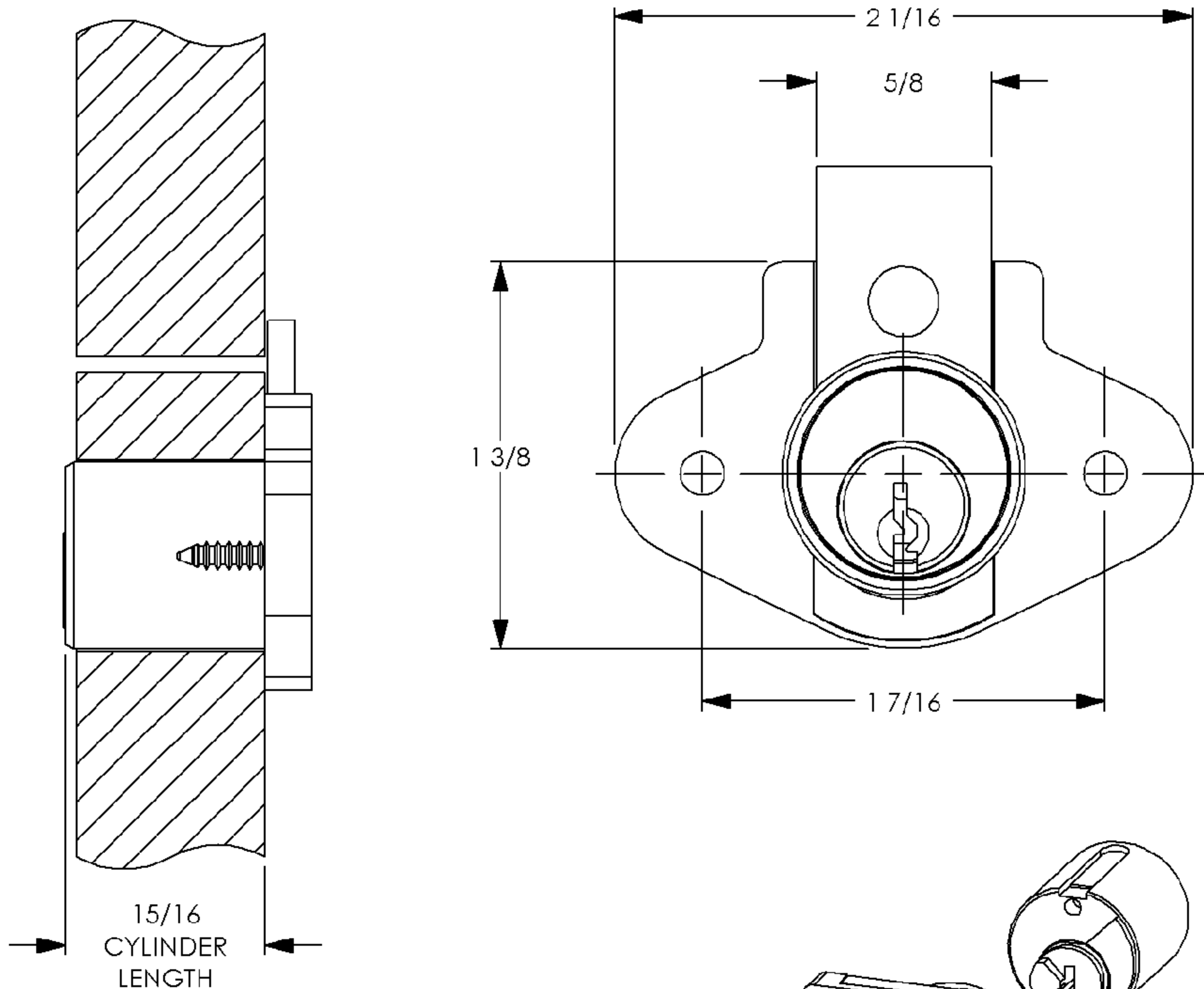
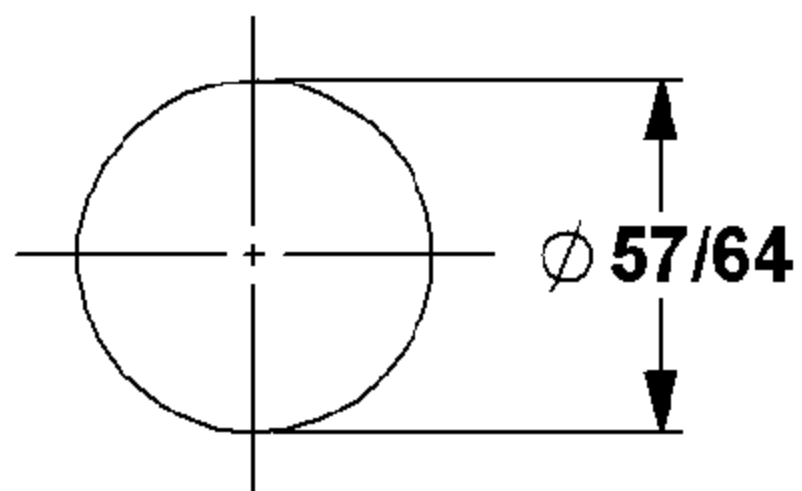


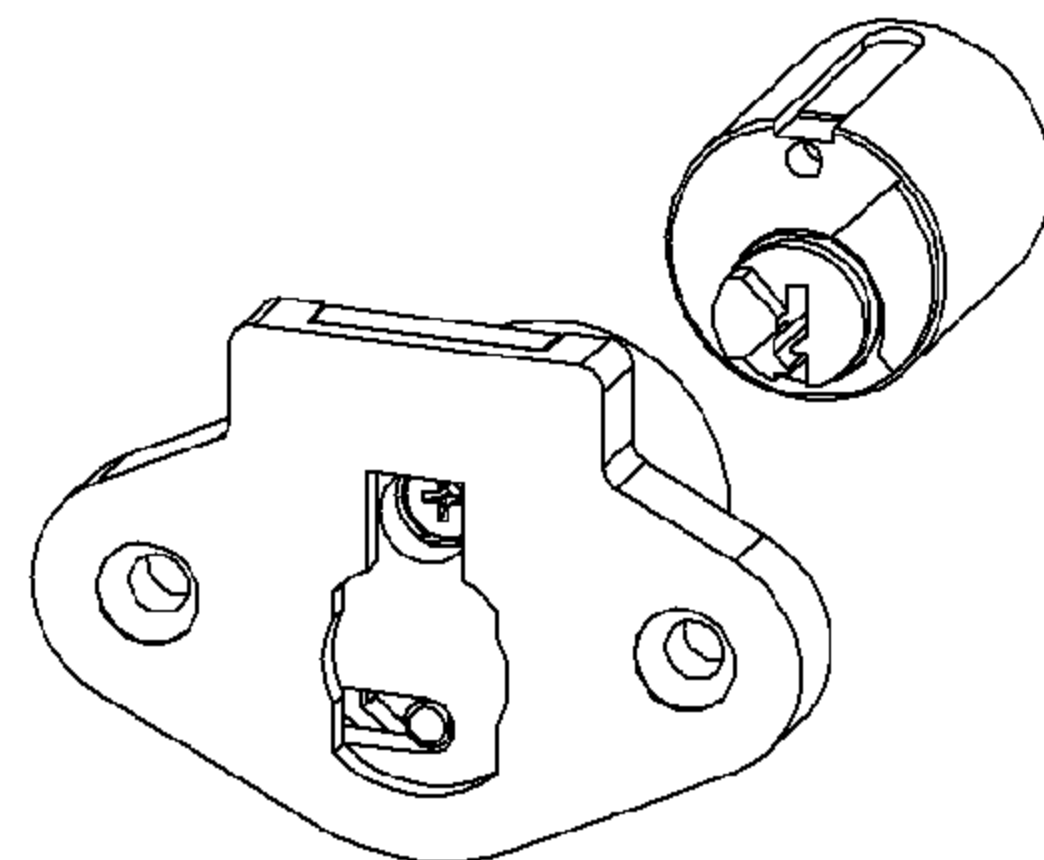
## C8163 DRAWER LOCK - 4 PIN TUMBLER - DEAD BOLT



### CYLINDER MOUNTING HOLE



DRILL  $1/16$  INCH DIAMETER PILOT HOLES FOR MOUNTING SCREWS



USE A PHILLIPS SCREWDRIVER FROM THE BACK TO REMOVE THE CYLINDER WHEN THE LOCK IS IN THE UNLOCKED POSITION.