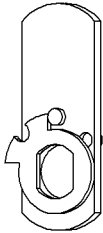
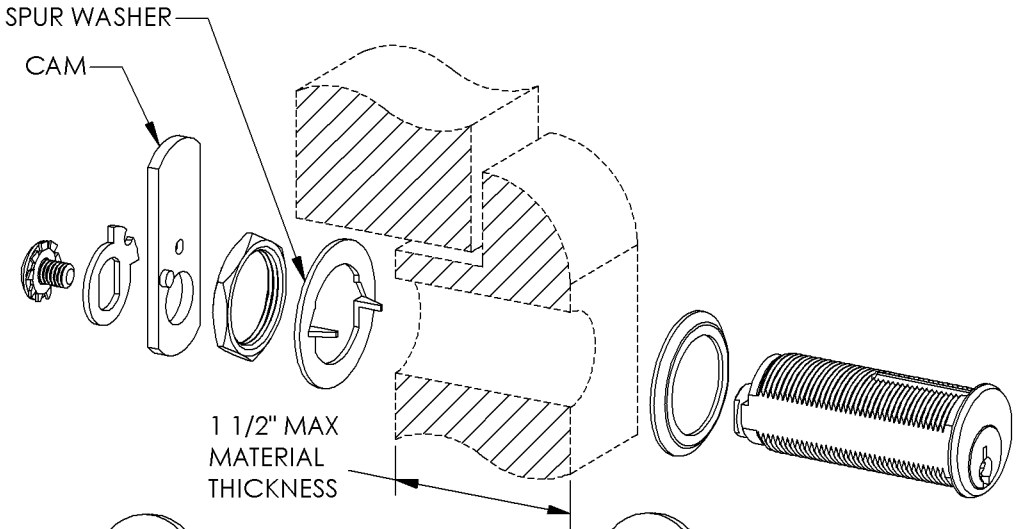


C8109 CAM LOCK

- 4 PIN TUMBLER
- 1 3/4" BRASS CYLINDER
- FOR LIPPED APPLICATIONS



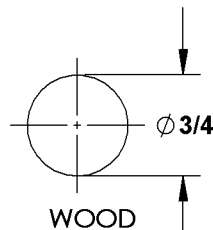
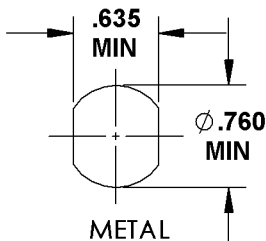
ASSEMBLED WITH
CAM FOR L.H. DOOR
OR CW DRAWER USE

NOTE: CAMS ARE NOT
REVERSIBLE



EXTRA CAM FOR
R.H. DOOR OR
CCW DRAWER
USE

CYLINDER MOUNTING HOLES



NOTE: DO NOT USE SPUR WASHER WITH METAL DOOR OR DRAWER