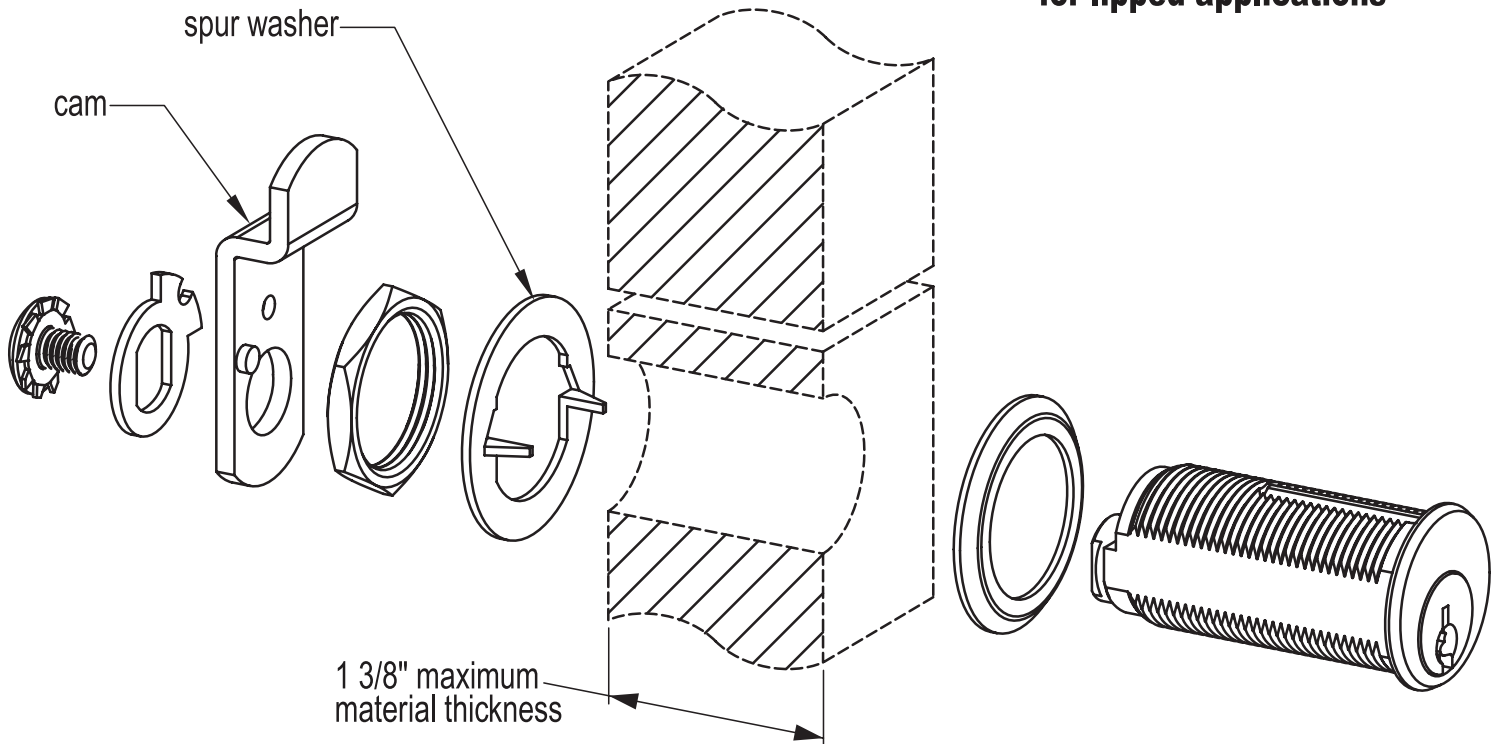


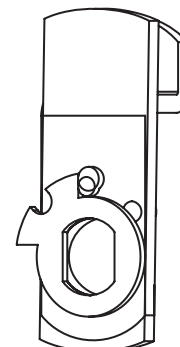
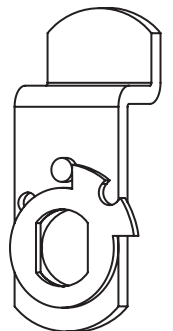
## C8108 CAM LOCK

- 4 pin tumbler
- 1 3/4" brass cylinder
- 9/32" cam offset
- for lipped applications



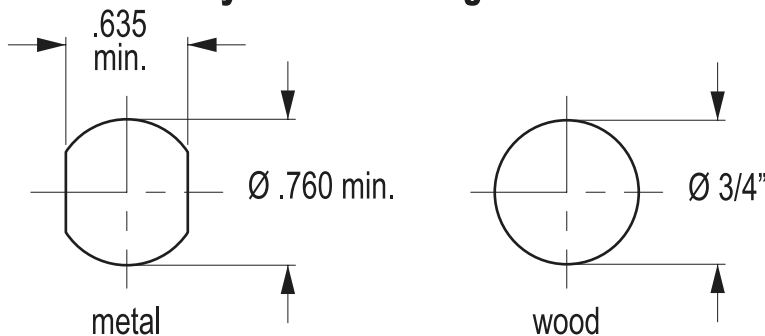
Note: cams are not reversible

Extra cam for right hand door or counter clockwise drawer use



Assembled with cam for left hand door or clockwise drawer use

### Cylinder mounting holes



Note: Do not use spur washer with metal door or drawer