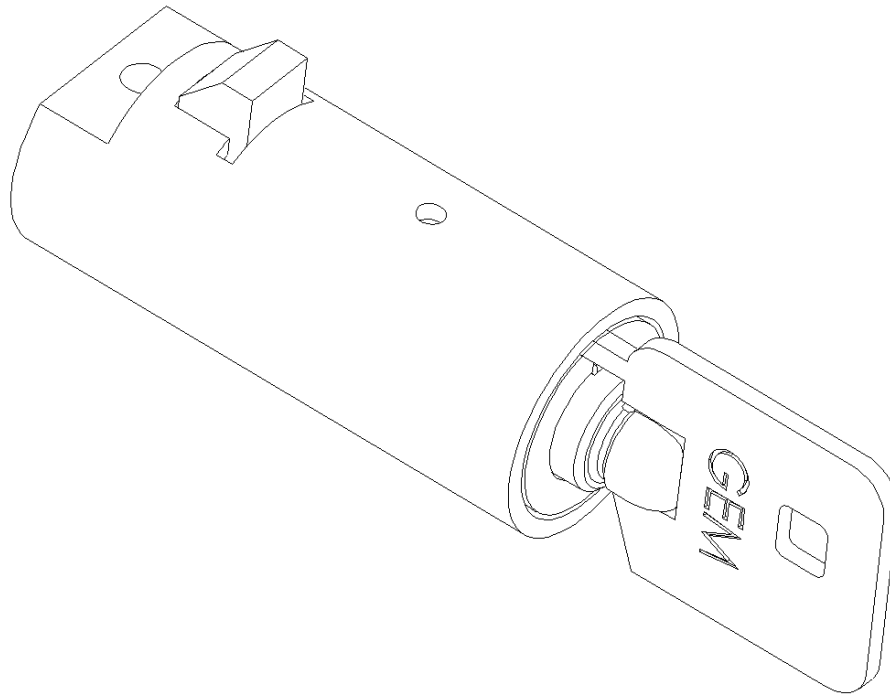


YPT-1010 INNER CYLINDER LOCK



**-COMBINATION CHANGE IS DESIRED,
THE CYLINDER IS REPLACED WITH A NEW
CYLINDER BY SIMPLY DEPRESSING THE LATCH BOLT
OF THE EXISTING CYLINDER & WITHDRAWING IT FROM
THE HANDLE.**

