

Multi-Function® Metal Drawer Lock

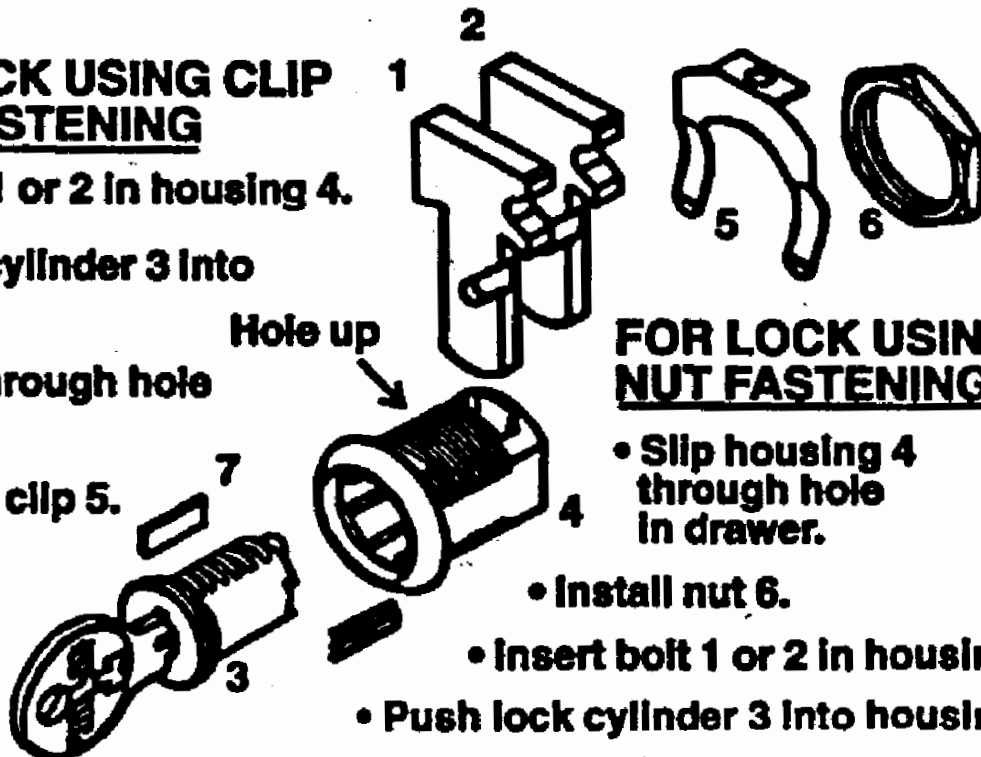
MFW23010#238



847-752-2400/compX.com
715 Center St., Grayslake, IL 60030
Copyright 2007 © CompX Security Products

FOR LOCK USING CLIP FASTENING

- Insert bolt 1 or 2 in housing 4.
- Push lock cylinder 3 into housing 4.
- Slip assy through hole in drawer.
- Attach with clip 5.



FOR LOCK USING NUT FASTENING

- Slip housing 4 through hole in drawer.
- Install nut 6.
- Insert bolt 1 or 2 in housing 4.
- Push lock cylinder 3 into housing 4.
- Spline fillers 7 can be inserted at (12-6) or (9-3) positions to prevent key pull.