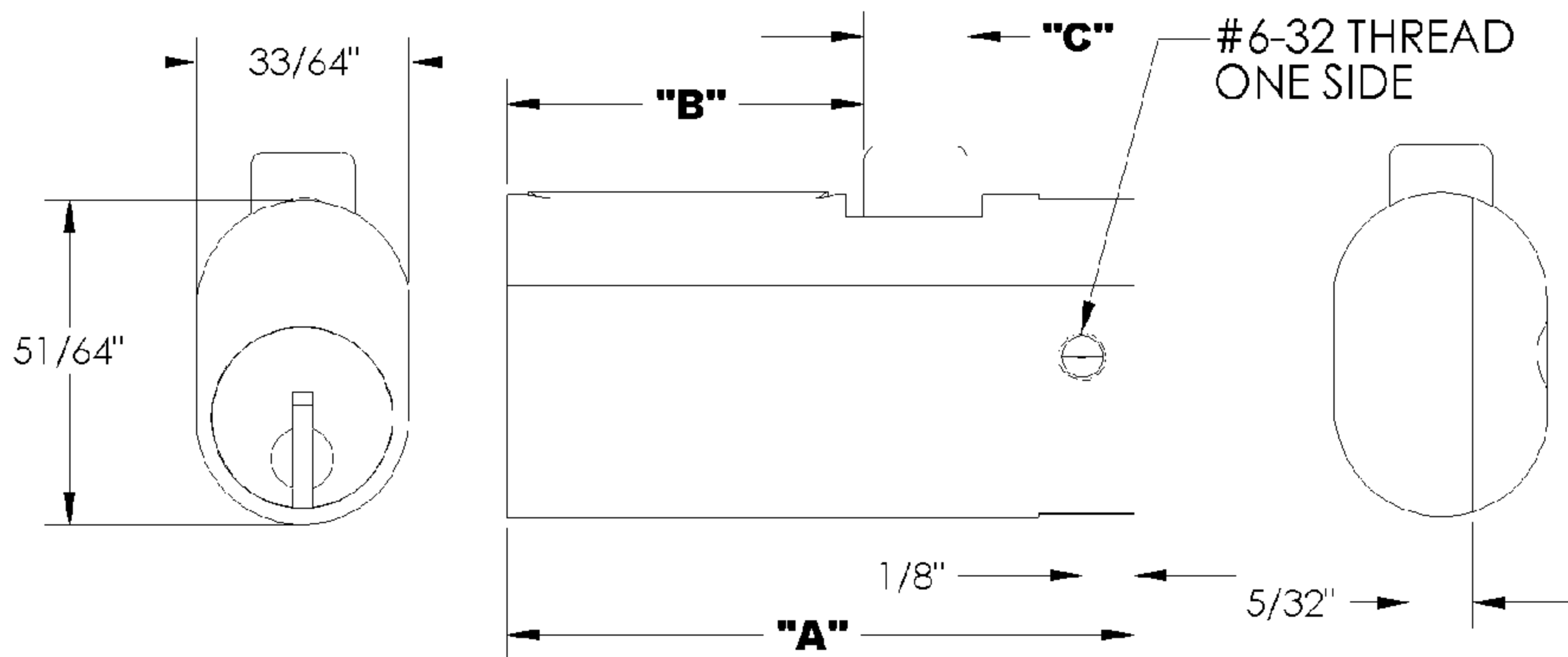
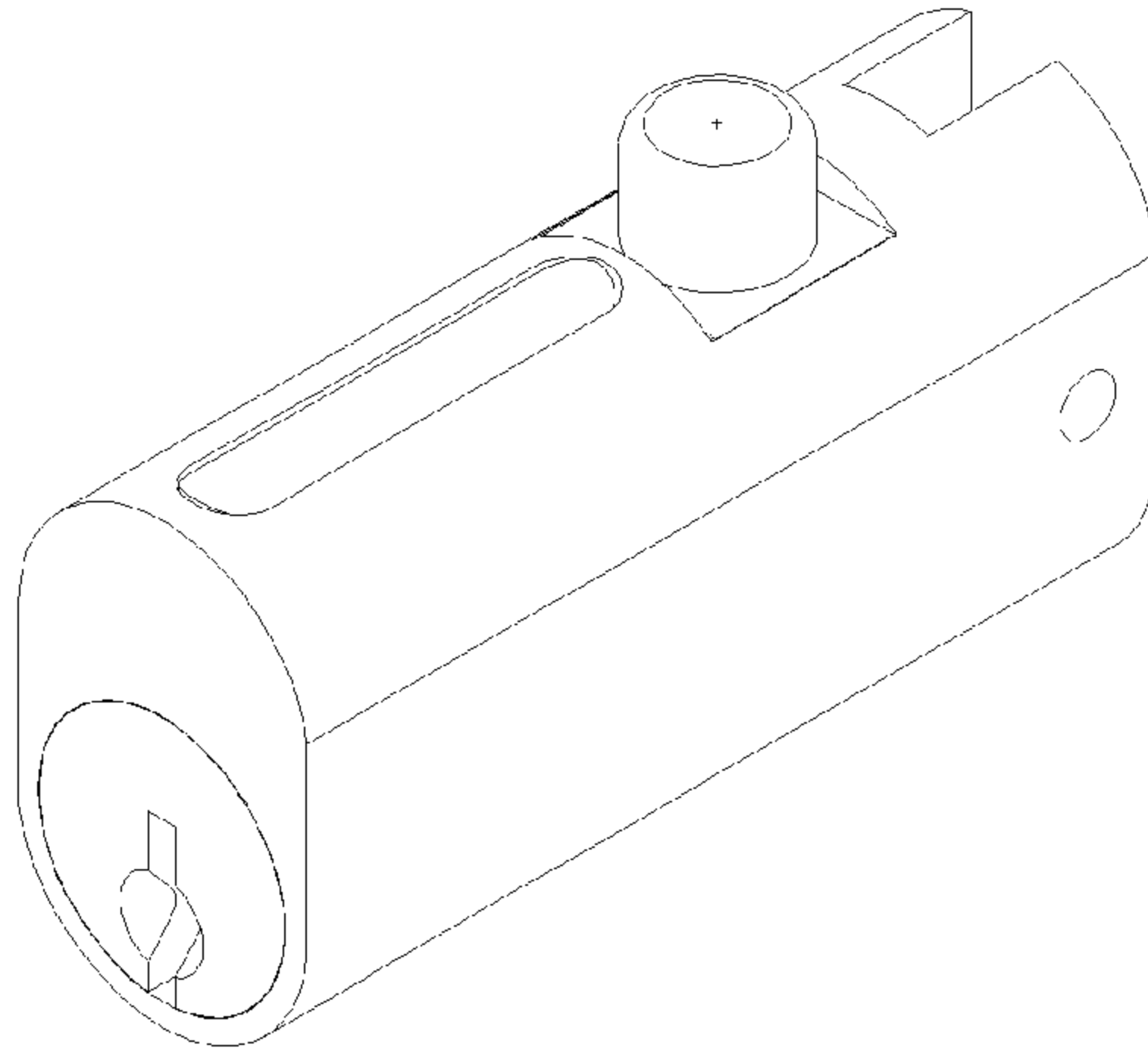


C5002LP FILING CABINET LOCK



LOCK NO.	A	B	C
C50001LP	1 3/4"	55/64"	13/32"
C50002LP	2"	1 7/64"	9/32" DIA