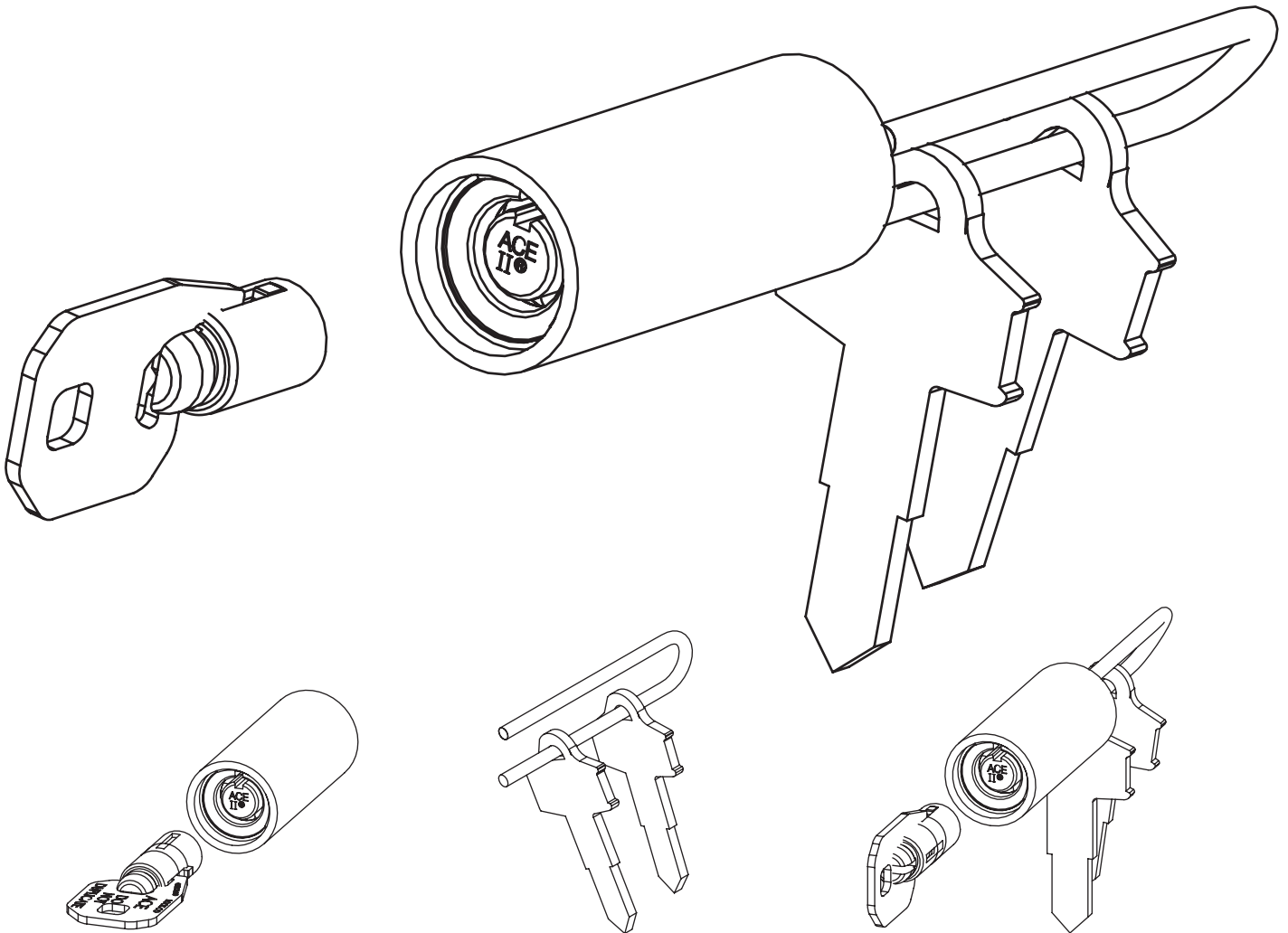


C4201 KEY LOC



Insert key and turn it to unlocked position.

Insert keys in cable.

Insert end of cables into two holes and turn key to locked position.

