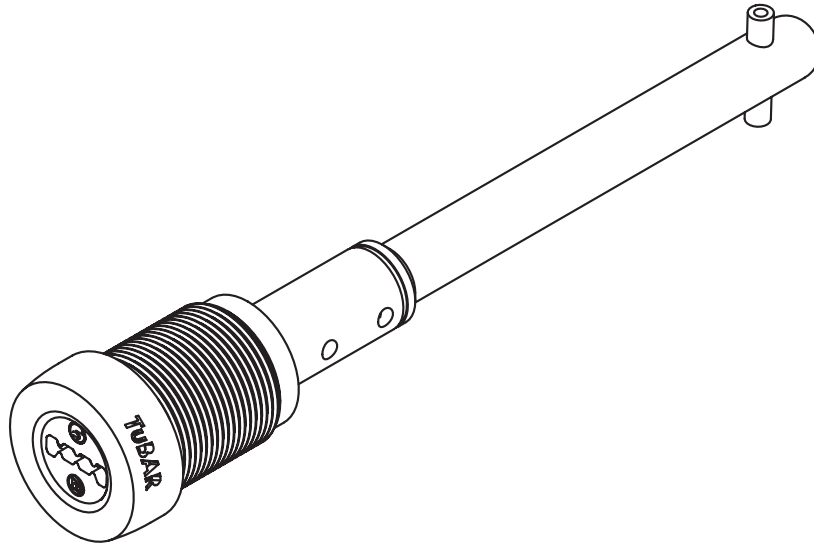


BL12L SERIES ROTARY "T" LOCK



Maximum protection against forced entry. Virtually impregnable to pulling, punching, drilling and other common physical attacks. Registered key series for each customer.

Unique key with no key blanks or key machines commercially available. Additional 12L stud lock features:

- New compact 15/16" size ideal for limited installation space
- Hardened steel rotating bezel that resists physical space
- Improved hardened steel barrel and composite keyway assures maximum protection from vandal attacks
- New user friendly key design will accommodate all TuBAR cylinders in the field
- Cams and keys sold separately. Factory re-keyable
- Patented dual side bar mechanism provides the ultimate in resistance to surreptitious entry

