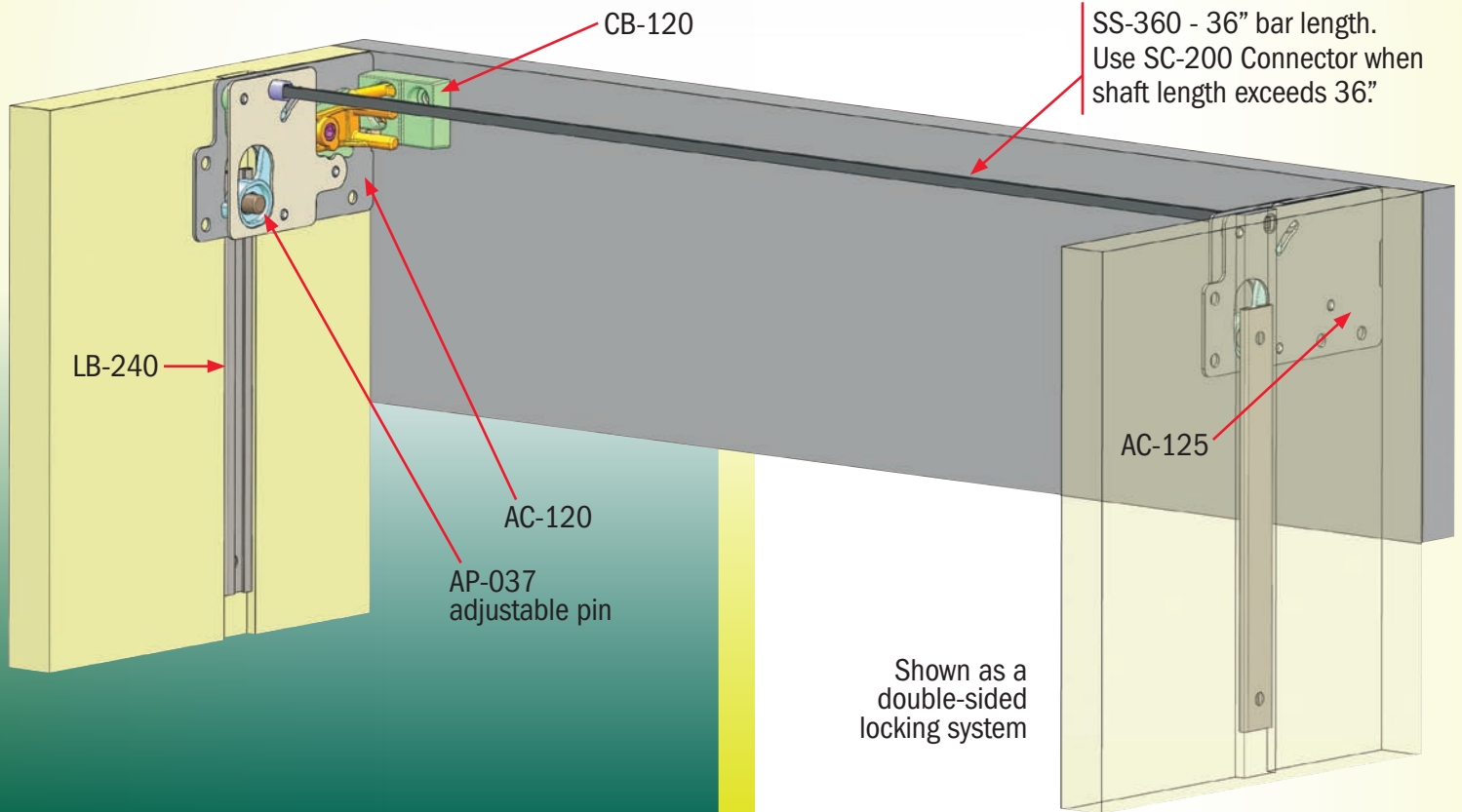


SYSTEM 120 GANG LOCK

A new solution for locking pedestals and lateral files



**{ CompX Timberline offers a fresh
approach to gang locking }**

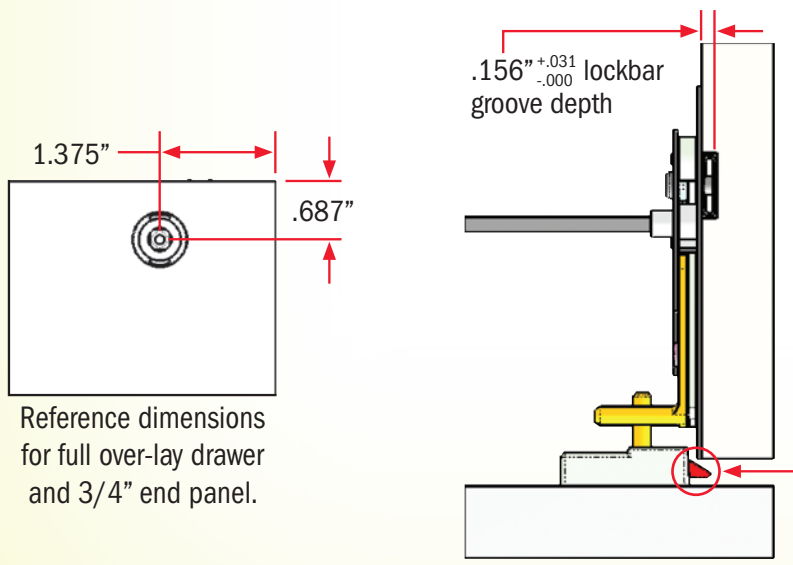
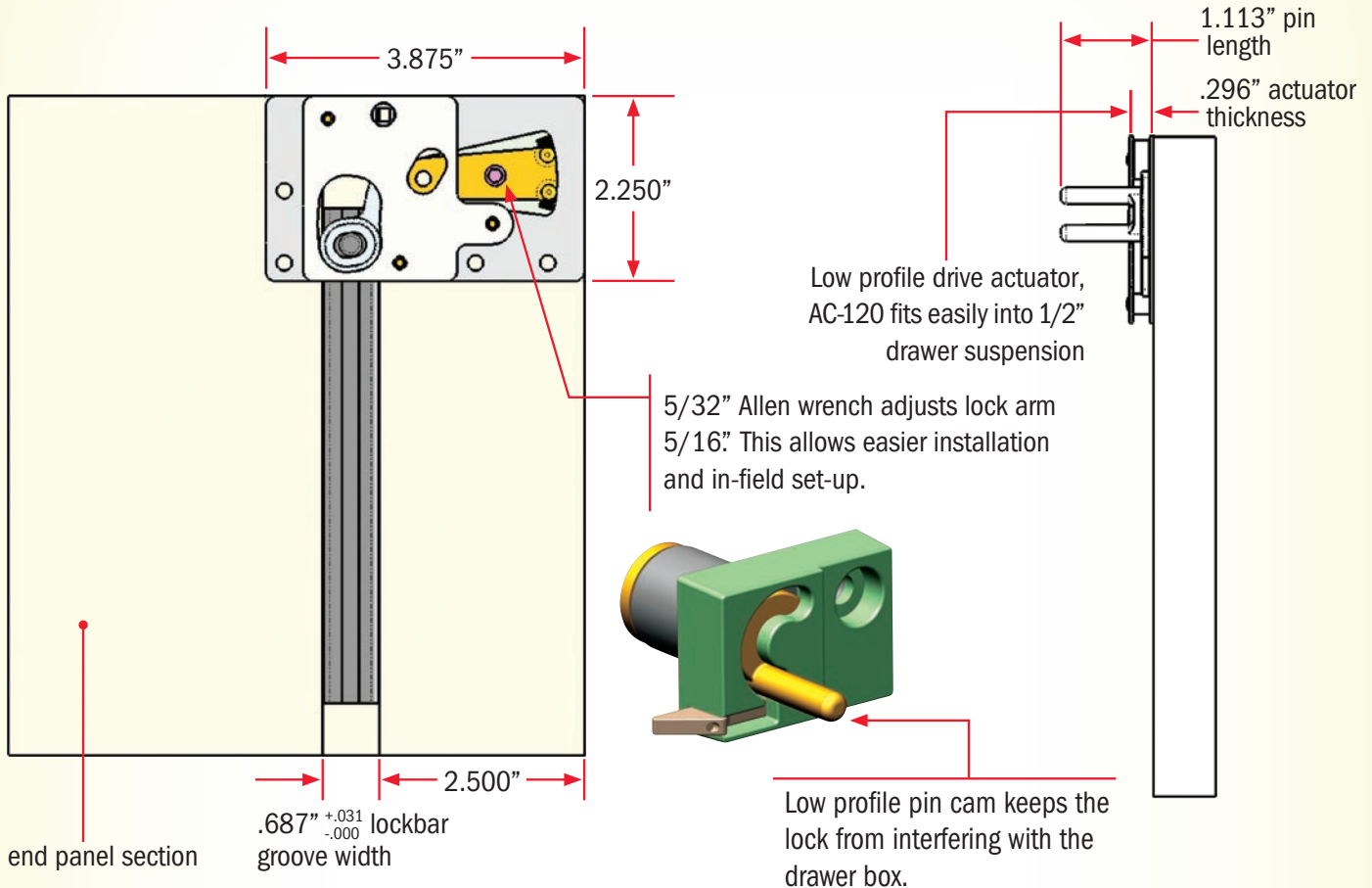
For further information contact:
CompX Timberline 800.LOCKBAR

- Provides engineered lockbar location for reliable gang locking
- "Assure-Sync" feature keeps the lock, actuator position aligned. This prevents users from "crashing" the system.
- Provides single or double side locking with one system
- Modular components drop easily into place for original equipment manufacturing



SYSTEM 120 GANG LOCK

A new solution for locking pedestals and lateral files



How to order System 120

Three drawer system: single sided locking

- | | |
|------------|-------------|
| (1) LB-240 | (4) AP-037 |
| (1) CB-120 | (3) DC-500 |
| (1) AC-120 | (1) LP-XXX* |

Two drawer lateral file system: double sided locking

- | | |
|------------|--------------|
| (2) LB-240 | (6) AP-037 |
| (1) CB-120 | (4) DC-500 |
| (1) AC-120 | (1) SS-360** |
| (1) AC-125 | (1) LP-XXX* |

* Customer to provide lock plug finish/keying.

** Can be trimmed to size by end user or ordered cut to size

"Assure-Sync" feature keeps the lock, actuator position aligned. This prevents users from "crashing" the system.

If lateral file is freestanding, consider adding the Anti-tip Interlock System 400.