

**NEW!**

# MRI locks

Now available:  
**non-magnetic**  
and non-ferrous

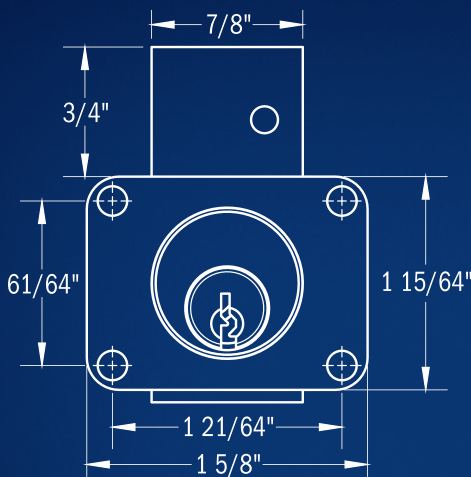
**Non-magnetic** has no steel components. All fasteners, pins and pin springs, and back plate are made from brass. Keys are also brass; choose from a selection of non-magnetic finishes including bright brass and satin brass.

**Non-ferrous** has the same components listed above, and available in US26D satin chrome, US26 bright chrome.

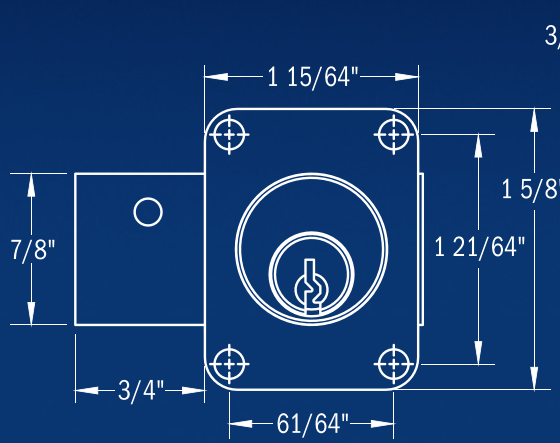
- ◆ All National pin tumbler box locks can be ordered for MRI applications as a special order
- ◆ Cabinet door cylinder lengths: 7/8", 1-1/8", 1-3/8"
- ◆ Cabinet drawer cylinder lengths: 7/8", 1-1/8", 1-3/8", 1-5/8"
- ◆ Available in KA, KD, MKKD & MKKA
- ◆ Will key together with all CompX National pin tumbler locks
- ◆ A156.11-2014 BHMA Certified Grade 2

For complete product specifications, contact the CompX Security Products sales department at 864.297.6655.

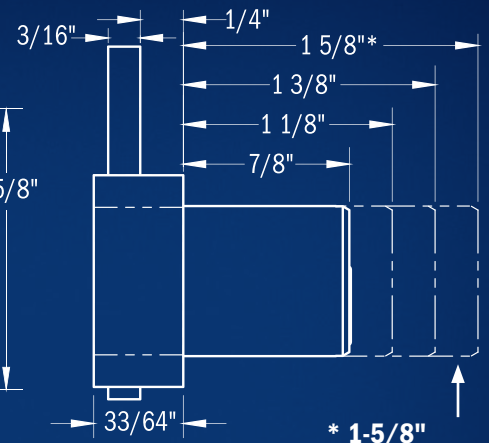
To download 3D models in IGS, STEP, PDF, visit <http://compX.com/models> - CompX National - C8173 - C8180



**Drawer application**



**Door application**



**\* 1-5/8" available in drawer application only**



**All product manufactured and assembled in the United States. ISO 9001 certified.**

Copyright 2018 © CompX Security Products / 864.297.6655 / compX.com / PO Box 200, Mauldin, SC 29662  
Any companies and/or products referred to herein are marks or registered trademarks of their respective companies, owners and/or mark holders.