

MINI-NARCOTICS BOX

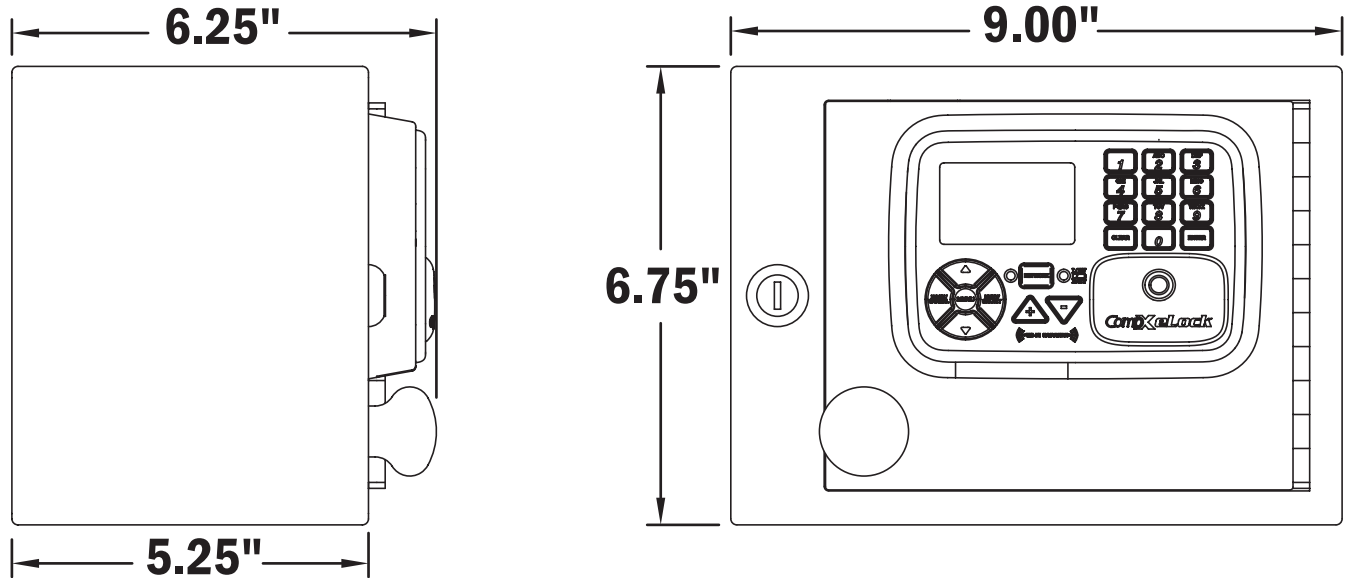
with CompX cabinet eLock

CompX eLock®

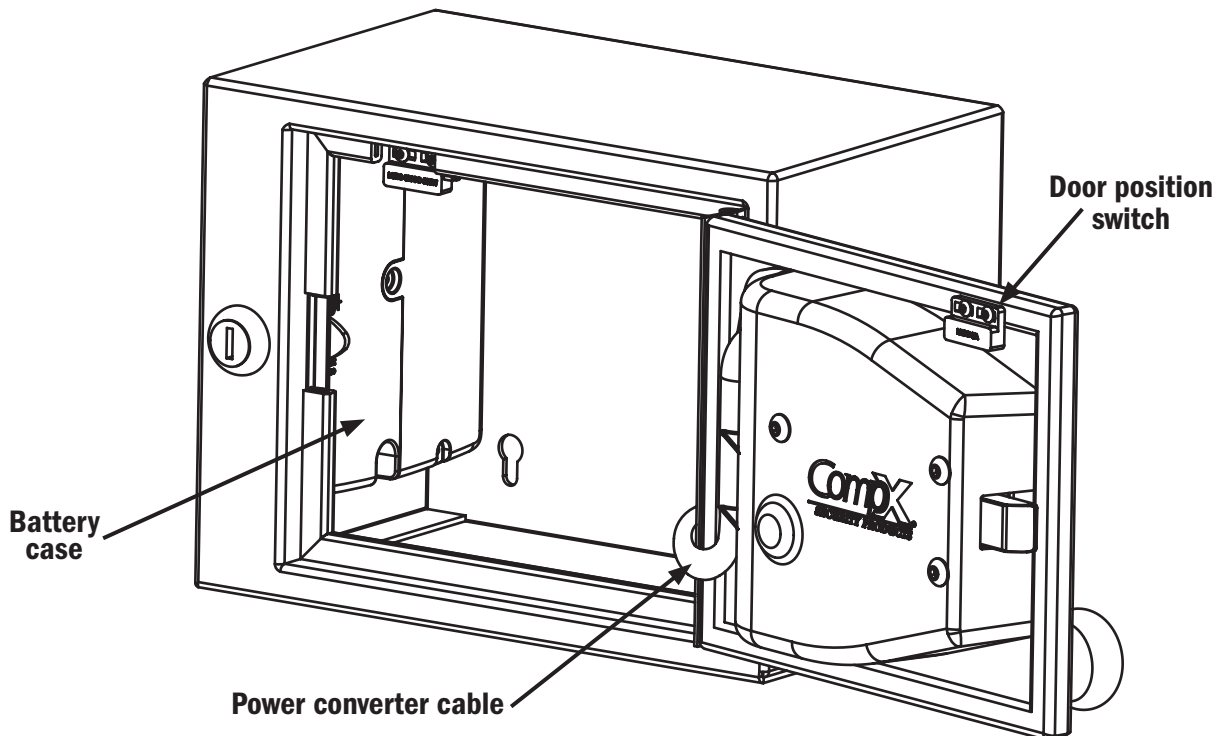
Thank you for purchasing the CompX NARC Box with built-in 200/300 Series eLock. The information contained in these instructions is intended to serve as a guide so as to allow the MINI-NARC Box to be quickly and easily put into service. CompX's 300 Series eLock

can be configured to work in conjunction with existing 802.11g or Ethernet networks. For complete set up instructions for networked and stand-alone eLocks, please see the "Help" section in CompX's LockView v5 software.

MINI-Narcotics box dimensions with CompX eLock installed



MINI-Narcotics box with CompX eLock – components



MINI-NARCOTICS BOX with CompX cabinet eLock

What's in the box?

- ◆ 1 - MINI-NARCOTICS BOX w/installed 200 or 300 Series CompX eLock
- ◆ 1 - 12V to 9V power converter
- ◆ 1 - grommet for use w/converter
- ◆ 1 - 2-piece magnetic door position switch
- ◆ 4 - #10 x 3/4 Phillips pan head sheet metal screws to hang MINI-NARC box
- ◆ 1 - warranty card
- ◆ 1 - serial code sticker set
- ◆ 1 - in-box instructions

What's needed?

- ◆ 6 - AA batteries (optional if 12V to 9V converter is used)
- ◆ Drill
- ◆ 9/64" drill bit (pilot hole for mounting screws)
- ◆ 1/2" drill bit (if 12V to 9V converter is used)
- ◆ #3 Phillips bit or driver
- ◆ Tape measure
- ◆ T15 pin-in Torx (6-lobe) bit or driver (battery cover)

Care and Cleaning

To clean the surface of the eLock, apply non-acid based cleaner to a clean cotton cloth; do not spray cleaner directly on the eLock. Wipe down keypad and housing taking care around the beeper opening and edges of keypad. Wipe excess cleaner off of all surfaces.

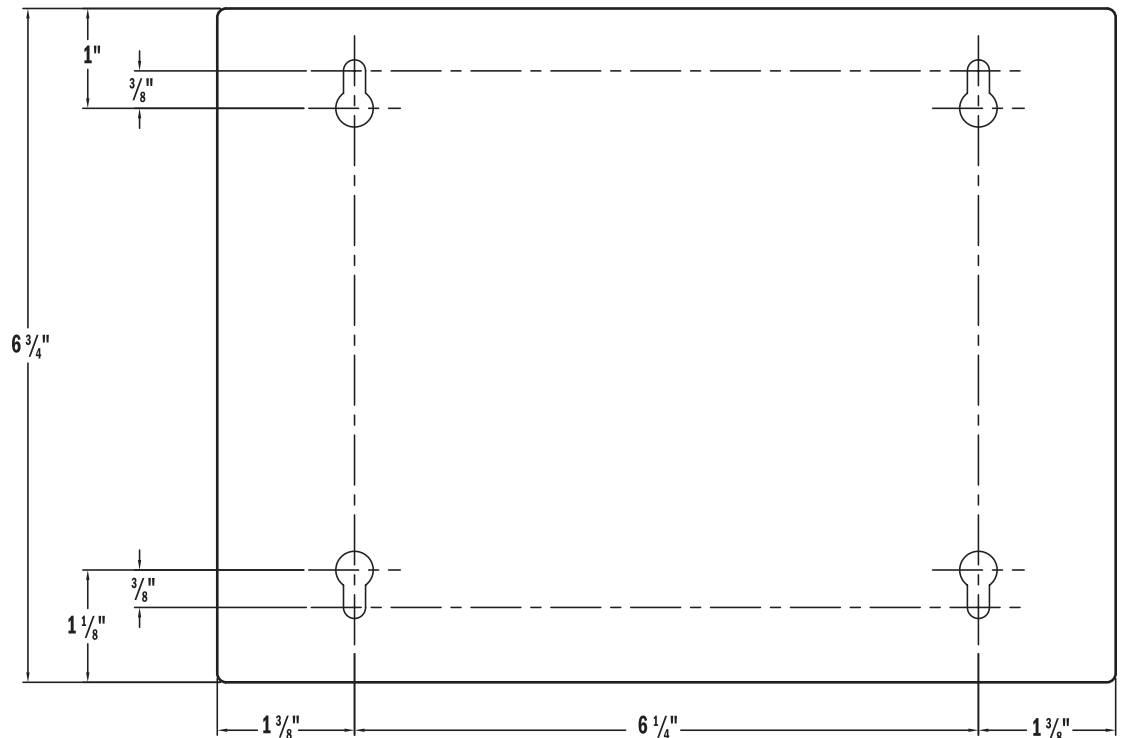
Installation

The MINI-NARC box can be installed using the 4 predrilled key holes and supplied #10 x 3/4 Phillips pan head screws. Be sure to mount the box in a location that provides enough clearance for the door to open.

NOTE: The MINI-NARC box may be equipped with a 12V - 9V converter to wire 12V DC power. If the converter is used, drill a 1/2" diameter hole in the most convenient area and install the grommet (included) and feed the cable through the grommet.

IMPORTANT:

- ◆ Connect red wire to positive terminal and black wire to negative terminal.
- ◆ Neglecting to install the grommet may lead to electrical short circuit / eLock malfunction and void warranty.



Part #: 334046-0000-00

Copyright 2018 © CompX Security Products / 847.752.2500 / compx.com / 715 Center St., Grayslake, IL 60030
Any companies and/or products referred to herein are marks or registered trademarks of their respective companies, owners and/or mark holders.