

**NEW!**

Introducing

**TURBINE**



**New *unique* keyway!**

**More codes than you'll ever need.**

**Every high security Turbine lock offers:**

- ◆ High Security Key
  - ⇒ Unique keyway
  - ⇒ Factory registered key codes
  - ⇒ Non-duplicable / no key blanks
  - ⇒ Ergonomic over-molded formed grip
  - ⇒ Self-orienting
  - ⇒ Robust, durable steel material
  - ⇒ Optional master key
- ◆ Unique tubular style lock
  - ⇒ 7 pin tumbler
  - ⇒ Precision machined solid brass for corrosion resistance
  - ⇒ Pick resistant
  - ⇒ Key out lock position only
  - ⇒ 11/16" or 15/16" cylinder sizes
  - ⇒ Optional anti-drill pin
  - ⇒ Cam lock, pop out spring bolt or dead bolt
  - ⇒ Optional O-rings for waterproofing

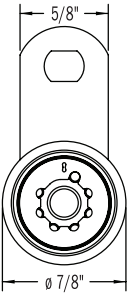
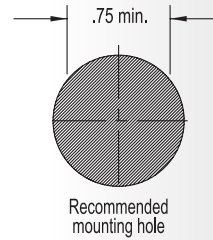
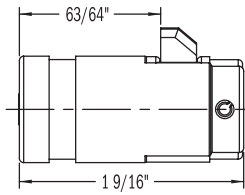
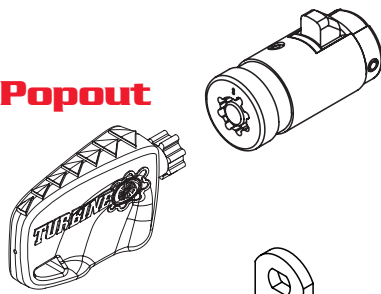
**CompX**  
SECURITY PRODUCTS



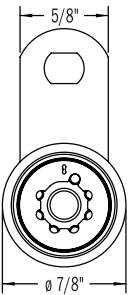
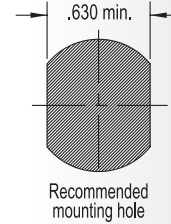
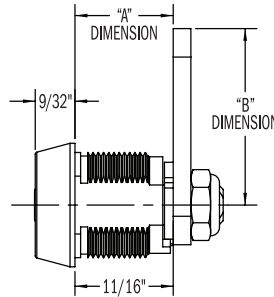
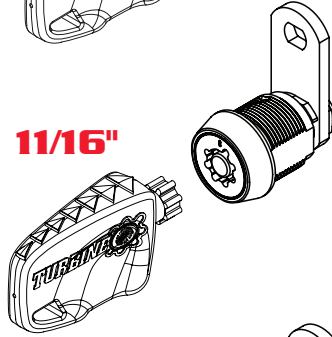
Copyright 2016 © CompX Security Products / 864.297.6655 / compx.com / PO Box 200, Mauldin SC 29662  
Any companies and/or products referred to herein are marks or registered trademarks of their respective companies, owners and/or mark holders.



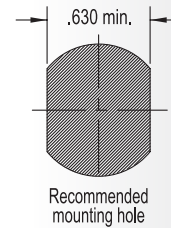
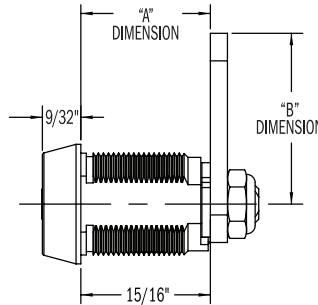
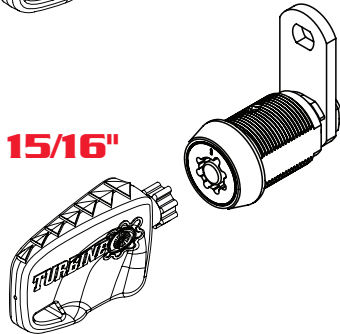
### Popout



### 1 1/16"



### 1 5/16"



**ALL Turbine are high security locks and are designed for a wide range of applications:**

- ◆ Access control systems
- ◆ Alarm control cabinets
- ◆ Burglar alarms
- ◆ Cash drawers
- ◆ Cash registers
- ◆ Coin laundry equipment
- ◆ Currency changers
- ◆ Desks
- ◆ Fire watch stations
- ◆ Gas pump dispensers
- ◆ Gun cabinets
- ◆ Key storage cabinets
- ◆ Lockers
- ◆ Mechanical counters
- ◆ Motorcycle locks
- ◆ Narcotics cabinets
- ◆ Safes
- ◆ Toll booths
- ◆ Tool cabinets
- ◆ Transit collection systems
- ◆ Vending machines
- ◆ many more!

#### All Turbine locks feature:

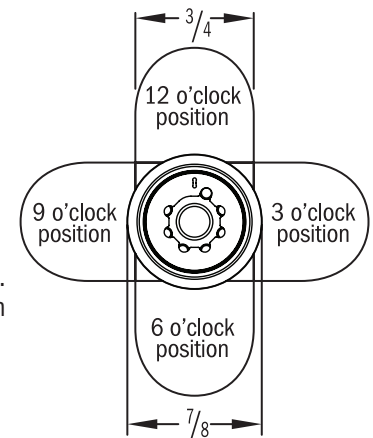
- ➔ Chrome plated brass construction
- ➔ Cam lock, pop out brass spring bolt or steel dead bolt
- ➔ Registered key series for each customer
- ➔ Unique key with no key blanks or key machines commercially available
- ➔ User friendly key design will accommodate all Turbine cylinders in the field
- ➔ Compact 1 1/16" size ideal for limited installation space
- ➔ Keys and cams sold separately
- ➔ CompX Chicago ACE cams are used on Turbine cam locks
- ➔ Available with thread and rotary "T" type extensions

#### Optional features

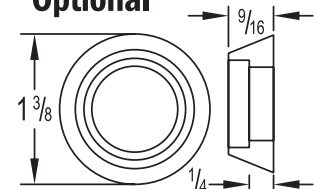
- ➔ O-rings for waterproofing
- ➔ Master key on 1 5/16" cylinder size
- ➔ Additional options available per customer specifications
- ➔ Anti drill pin

#### Things to know when ordering Turbine products:

- ➔ Key number to be stamped on lock
- ➔ Mounting flat size: **2 flats .625**
- ➔ Keypull and rotation: **One way, 90°**
- ➔ Direction of rotation: **Clockwise or Counterclockwise**
- ➔ Insert cam part number if it is known. Or specify "A" and "B" dimensions. The cam locked position must also be specified.
- ➔ See CompX Chicago catalog page 6 for cam selection
- ➔ Adapter available (Fort part number CA-1) to use CompX Fort cams
- ➔ Number of keys required per lock



#### Optional



Steel Protecting Collar #24003 (cam locks only)