

TuBAR

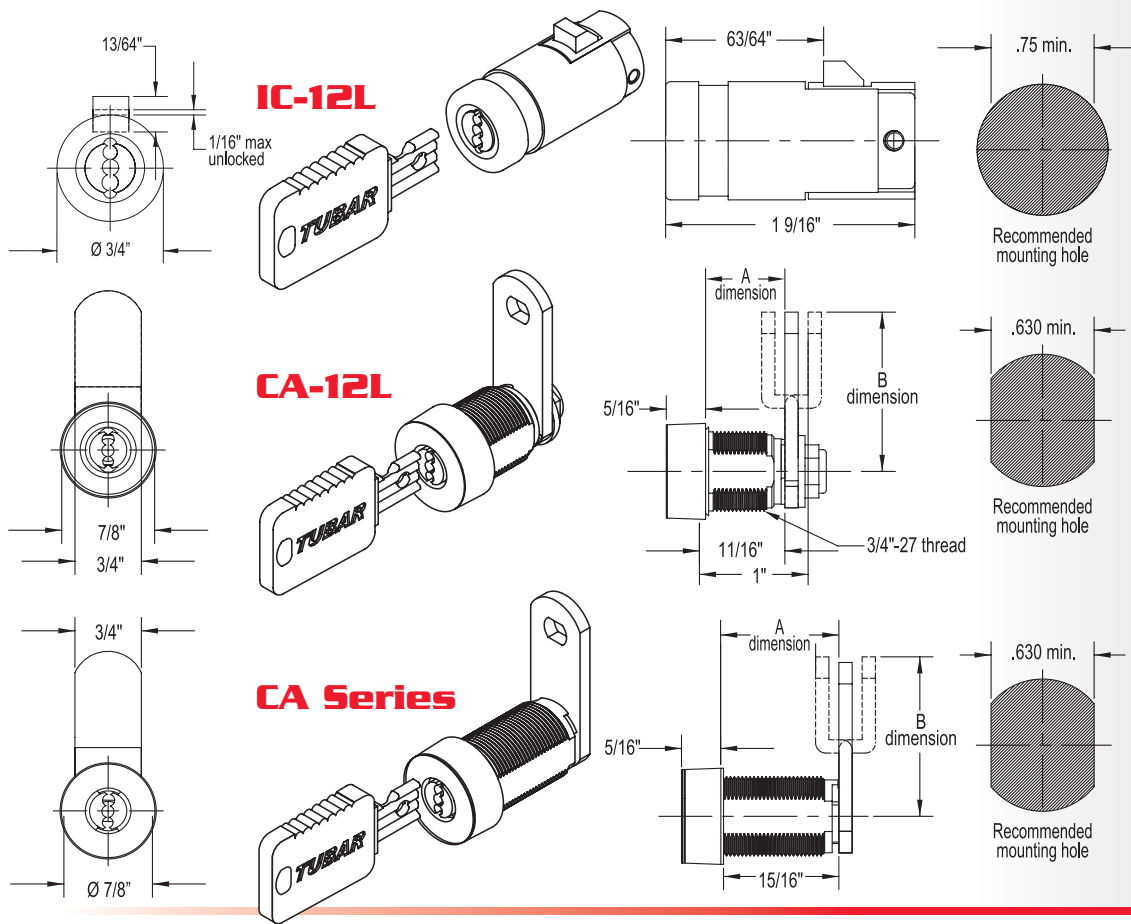


One *tough* lock. Unlimited applications.

Every high security TuBAR lock offers:

- ◆ Hardened steel barrel, composite keyway and dual side bar mechanism assure maximum protection against forced entry. Virtually impregnable to pulling, punching, drilling and other common physical attacks.
- ◆ Unique keyway with no key blanks or key machines commercially available.
- ◆ Registered key series for each customer.
- ◆ Replacement keys only available by signature through the factory.
- ◆ Keys and cams sold separately.
- ◆ Popout lock meets NAMA t-handle dimension standards in vending machines.

CompX
SECURITY PRODUCTS



ALL TuBAR are high security locks and are designed for a wide range of applications:

- ◆ Access control systems
- ◆ Alarm control cabinets
- ◆ Burglar alarms
- ◆ Cash drawers
- ◆ Cash registers
- ◆ Coin laundry equipment
- ◆ Currency changers
- ◆ Desks
- ◆ Fire watch stations
- ◆ Gas pump dispensers
- ◆ Gun cabinets
- ◆ Key storage cabinets
- ◆ Lockers
- ◆ Mechanical counters
- ◆ Motorcycle locks
- ◆ Narcotics cabinets
- ◆ Safes
- ◆ Toll booths
- ◆ Tool cabinets
- ◆ Transit collection systems
- ◆ Vending machines
- ◆ many more!

All TuBAR locks feature:

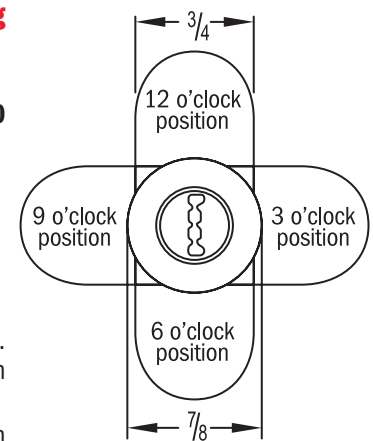
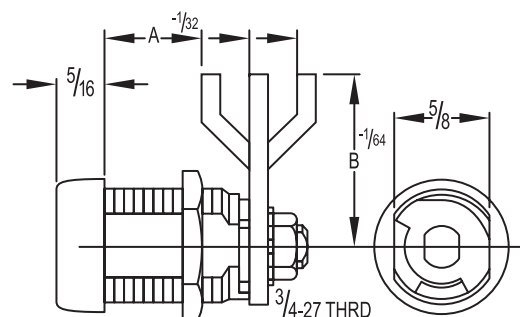
- ➔ Maximum protection against forced entry. Virtually impregnable to pulling, punching, drilling and other common physical attacks.
- ➔ Dual side bar mechanism provides the ultimate in resistance to surreptitious entry.
- ➔ Registered key series for each customer.
- ➔ Unique key with no key blanks or key machines commercially available.

High security inner cylinder

- ➔ Improved hardened steel barrel and composite keyway assures maximum protection from vandal attacks.
- ➔ User friendly key design will accommodate all TuBAR cylinders in the field.
- ➔ Compact 11/16" size ideal for limited installation space.
- ➔ Hardened steel rotating bezel that resists physical attacks - cam locks only.
- ➔ Keys and cams sold separately.
- ➔ CompX Chicago ACE cams are used on TuBAR cam locks.
- ➔ Available with thread and rotary "T" type extensions.

Things to know when ordering TuBAR products:

- ➔ Key number to be stamped on lock
- ➔ Mounting flat size: **2 flats .625; 1 flat .700**
- ➔ Keypull and rotation:
 - One way, 90°**
 - Two way, 90°**
 - Two way, 180°**
- ➔ Direction of rotation:
 - Clockwise or Counterclockwise**
- ➔ Insert cam part number if it is known. Or specify "A" and "B" dimensions. The cam locked position must also be specified.
- ➔ See CompX Chicago catalog page 6 for cam selection.
- ➔ Adapter available (Fort part number CA-1) to use CompX Fort cams.
- ➔ Number of keys required per lock.



Optional

