

# CompX® Regulator

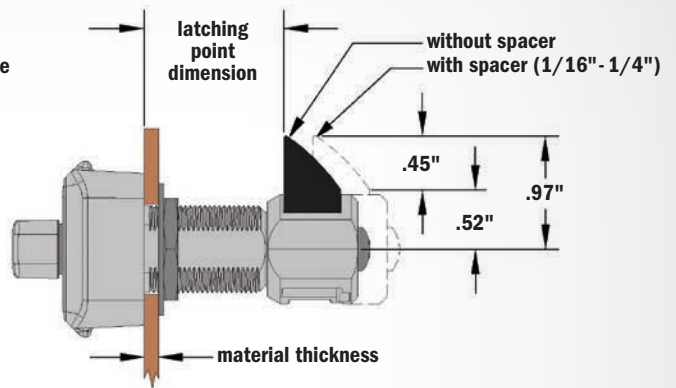
Regulator dimensions with cams and spacers, both self locking and manual locking versions

## Regulator with self locking



Left hand mount shown

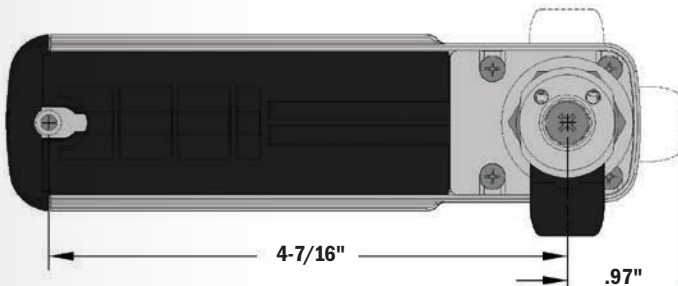
SlamCAM position can be set by user



### Self locking with SlamCAM

#### Latching point dimension

Cylinder Length	Max. Material Thickness	Latching point dimension				
		Without spacer	1/16" spacer	1/8" spacer	3/16" spacer	1/4" spacer
7/16"	1/8"	7/16"	1/2"	9/16"	5/8"	11/16"
1-3/16"	7/8"	1-3/16"	1-1/4"	1-5/16"	1-3/8"	1-7/16"
1-3/4"	1-7/16"	1-3/4"	1-13/16"	1-7/8"	1-15/16"	2"



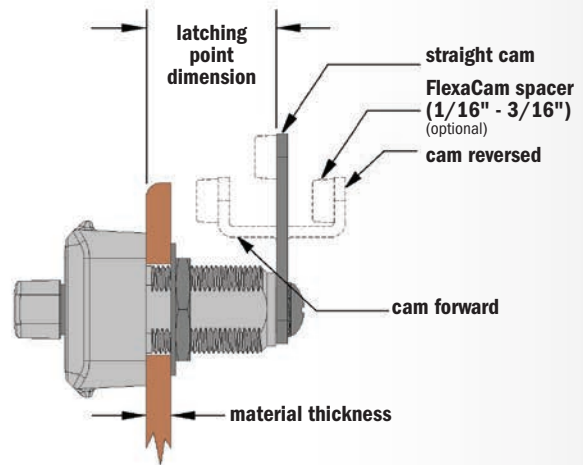
## Regulator with manual locking



Left hand mount shown

Cam position can be set by user

straight cam 1-1/2"  
offset cam 1-1/8"



### Manual locking

#### Latching point dimension

Cylinder Length	Max. Material Thickness	Straight cam				Cam forward				Cam reversed			
		Without spacer	1/16" spacer	1/8" spacer	3/16" spacer	Without spacer	1/16" spacer	1/8" spacer	3/16" spacer	Without spacer	1/16" spacer	1/8" spacer	3/16" spacer
7/16"	1/8"	3/8"	5/16"	1/4"	3/16"	-	-	-	-	7/8"	13/16"	3/4"	11/16"
1-3/16"	7/8"	1-1/8"	1-1/16"	1"	15/16"	5/8"	9/16"	1/2"	7/16"	1-5/8"	1-9/16"	1-1/2"	1-7/16"
1-3/4"	1-7/16"	1-11/16"	1-5/8"	1-9/16"	1-1/2"	1-3/16"	1-1/8"	1-1/16"	1"	2-3/16"	2-1/8"	2-1/16"	2"